

PRODUCT CATALOG

SPRING / SUMMER 2024



A LEGACY
OF TRUSTED
ATTACHMENTS

20
YEARS

PRODUCT EDITION

Construction Implements Depot, Inc.

(CID) was founded in 2003.

Located in Denton, North Carolina, USA, we are committed to providing quality products and services at competitive prices to you, our valued customer.

We specialize in manufacturing high quality, dependable skid steer attachments, compact tractor, and mini-excavator attachments as well as other specialty skid steer attachments.

All CID attachments are warranted to be free from defects in materials and workmanship for a period of (12) months from the initial sale, lease or rental date. Please refer to our website for the most up to date warranty information.

CID skid steer attachments are available with hook ups for: Universal Skid Steer Quick Attach, Mustang Single Pin, Bobcat 943, Bobcat MT50, 52, 55, Bobcat 463, Boxer Dingo RC30, Old Style Case and Old Style New Holland, among others.

CID mini skid steer attachments are available with hookups for: Dingo, Boxer, Ramrod, Ditch Witch, Thomas Attachments, MT50, MT52, MT55, Bobcat, 463 Attachments, and others.

CID tractor attachments are available with hook ups for: John Deere 300, 400, 500, 600, 700 and Global, Euro/Quickie/Alo.

Are you aware of the latest Manufacturing Updates?

Scan QR to signup to receive important hookup, build, paint, and warranty updates direct to your email. (please check spam)



Date of Printing: 3/1/2024

CID Standard Production Color: CID Matte Grey

Please Note: In an endeavor to continually design, build, and offer great products, some options, colors, specs, logo placement, etc. may vary in **minor** degrees from what is shown in diagrams, pictures, and details in this catalog. We plan to have more options/colors showcased by 2025. Call us if you have any questions.



TRUSTED ATTACHMENTS

Table of Contents

FEATURED PRODUCTS 4

Post Driver

X-treme Post Driver..... 5

Hammers

Skid Steer-Excavators..... 6

Hammer Spec Page..... 6

Brooms

Pickup Broom..... 7

X-treme Angle Broom..... 8

Auger Drives

X-treme & Heavy Duty Auger Drives 9

Backhoes

X-treme Stiff Arm Backhoe.....10

X-treme Swing Arm Backhoe11

Brush Cutters

Standard Duty Brush Cutter 12

Heavy Duty Brush Cutter.....13

X-treme Brush Cutter 14

X-treme Tree Reaper 15

X-treme Piston Motor Brush Cutter 16

Severe Bent Axis Piston Cutter 17

Swing Boom Brush Cutter..... 18

Piston Motor Swing Boom Brush Cutter 19

Excavator Cutters

X-treme / Standard Excavator cutter..... 20

Severe Excavator cutter 21

Concrete Mixers 22

Forestry Disc Mulcher

Forestry Disc Mulcher 44"..... 23

Forestry Disc Mulcher 60" 24

4-in-1 Buckets

CT, SD, HD, 4-N-1 Buckets 25

Severe & X-treme 4-N-1 Buckets 26

Buckets

Concrete/Cement Bucket 27

X-treme High Dump Bucket 28

Long Bottom & Low Profile Buckets 29

Snow N Litter Bucket & Turkey Litter Bucket..... 30

High Capacity Snow Bucket..... 31

Track Loader Buckets 32

Compact Tractor & Heavy Duty Tractor Bucket 33

X-treme Duty Tractor Bucket..... 34

Compact Tractor & Standard Duty Rock Bucket..... 35

X-treme & Heavy Duty Rock Bucket 36

Grapples

Compact Tractor & Standard Duty Rock Grapple 37

X-treme & Heavy Duty Rock Grapple..... 38

Compact Tractor & Ultra-Light Root Grapple..... 39

Heavy Duty & Standard Duty Root Grapple 40

X-treme & Severe Duty Root Grapple..... 41

Compact Tractor & Standard Duty Grapple Rake 42

X-treme & HD Grapple Rake 43

Severe Grapple Rake..... 44

Monster Root Grapple 45

Grapple Buckets

Monster Grapple Bucket..... 45

CT, SD, & HD Grapple Buckets..... 46

X-treme Grapple Buckets..... 47

Demolition Grapple..... 48

Ground Management Equipment

X-treme 4-Way & 6-Way Dozer Blade 49

Multi-Purpose Angle Blade..... 50

Land Leveler 51

Ripper & Box Scrape Ripper 52

X-treme Power Rake..... 53

Multi-Purpose Power Rake 54

X-treme Root Rake & Severe Root Rake 55

X-treme Rotary Tiller..... 56

Sod Roller 57

Trencher

Trencher 58

Hay Equipment

Heavy Duty & X-treme Hay Bale Squeezer 59

Double Adjustable Bale Spear 59

Single, Double, Triple & Quad Hay Spear..... 60

High Back Single, Double & Triple Hay Spear..... 61

Hay Grapple Bucket..... 62

Hay Grapple Accumulator..... 63

Log Splitters

Inverted & Horizontal Log Splitter (40 ton) 64

Manure Forks and Manure Fork Grapple

Compact Tractor & X-treme Manure Forks/Grapples..... 65

Pallet Forks

Sub Compact through Extreme Pallet Forks & Frame..... 67-71

Extreme Fork & Mat Grapples..... 72

Skid Steer Conversions

Skid Steer Conversion 73

Excavator Conversions

Excavator Conversion 74

Snow Removal Equipment

Compact Tractor & Heavy Duty Snow Plow..... 75

X-treme Snow Plow 76

Compact Tractor & X-treme Snow Pusher..... 77

Snow & Litter Bucket..... 30

High Capacity Snow Bucket..... 31

Snow Blower..... 78

Specialty Equipment

Receiver Hitch, Receiver Gooseneck Hitch & 3-Point Hitch... 79

Boom Pole..... 80

Telescopic Boom Pole..... 81

Tooth Bar & Universal Skid Steer Quick Attach 82

Concrete Claw..... 83

Tree & Stump Removal Equipment

Fixed Tree Saw 84

Manual Rotating Tree Saw 85

Terminator Tree and Stump Remover 86

Tree & Post Puller 87

X-treme Tree Shear 88

X-treme Rotating Tree Shear (Hydraulic or Manual) 89

Tree Spade 90

Heavy Duty Stump Bucket & X-treme Stump Bucket..... 91

X-treme Stump Grapple 92

Mini Skid Steer Attachments

Dingo/Boxer/Ramrod/DitchWitch/Thomas Attachments

MT50/MT52/MT55/Bobcat 463 Attachments 93-98

Warranty Information..... 99-101

Resources and Diagrams 102-109

Pin on Diagram Submission Form 102

Color Codes (For Wire Harness) Guide..... 103

Pins (For Wire Harness) Guide..... 104

Harness Kits Comparison Guide..... 105

Quick Reference: Brush Cutters/Mulchers Guide 106

Quick Reference: Forks and Frames Guide 109

Quick Reference: Bucket Capacity Guide..... 110-113

CURRENT PRICING CATALOG *(NOT SHOWN ONLINE)* 114

Go to:
Pg. 5

X-treme Post Driver



Concrete Mixers

Go to:
Pg. 20



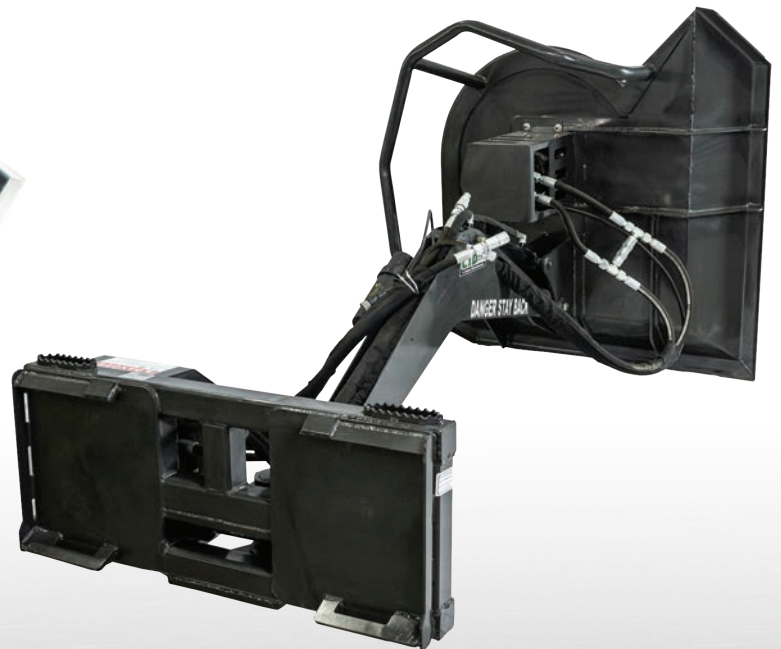
Go to:
Pg. 15

X-treme Tree Reaper



Piston Swing Boom Cutter

Go to:
Pg. 19



X-treme Tree Saw

*Not Pictured Here

Go to:
Pg. 84

Products Coming Soon: Stump Grinder & Mini-Reaper



The CID X-Treme Post Driver is a dependable post driving attachment for operators looking to get the job completed in a timely manner for an excellent cost. These breaker style post drivers use a proven nitrogen charged power cell, steel plate frame, and high strength steel domed head to put posts in the ground in a fraction of the time it takes to set posts with a conventional post hole digger. Offered in the skid steer or excavator mounts, ready to go when received.

QUICK FEATURES

- High power nitrogen power cell
- Steel plate frame
- High strength steel domed driver head 8"
- Mounts, hoses, couplers included
- Dry Fire Protection

	P01000	P0750
Energy Class	1150 ft-lbf	750 ft-lbf
Weight	1210 lb	1070 lb
Minimum Machine Lift Capacity	2000 lb	1400 lb
Machine Flow Rate	21-30 GPM	11-24 GPM
Working Pressure	2200 PSI	2000 PSI
Blows Per Minute	400-800	500-900
Domed Driver Head Inner Diameter	8"	8"
Steel Plate Thickness	3/4"	3/4"



Applicable for the full range of excavators. Easy maintenance. Has lower installation point so breaker can lift higher. Primarily for post and pile driver applications and other specialized uses.

Description	Unit	CBR225	CBR500	CBR650	CBR850	CBR1000
Energy Class	ft lbs	225	500	650	850	1,000
Operating Weight	Kg	122	190	280	350	510
	lb	269	419	618	772	1,124
Hose Length	In	.5" x 90"	.5" x 100"	.5" x 100"	.75" x 100"	.75" x 100"
Operating Pressure	Kg/cm ²	90-120	90-120	110-165	120-165	140-170
	Psi	1,280-1,707	1,280-1,707	1,565-2,347	1,707-2,347	1,991-2,418
Tool Diamater	mm	45	57	70	75	80
	Inch	1.77	2.24	2.75	2.95	3.14
2 nd Relief Setting Pressure	Kg/cm ²	175	175	175	175	175
	Psi	2,489	2,500	2,500	2,500	2,500
Oil Flow	LPM	15-30	20-70	30-65	38-80	38-90
	GPM	3.96-7.92	5.2-10.5	7.9-17.1	10-21.1	10-23.7
Blow Rate	Bpm Long/s	540-1,000	600-1,490	550-1,300	380-1,100	380-1,000
	Bpm Short/s					490-1,100
Accumulator Gas Pressure	Kg/cm ²	-	-	40-50	40-50	40-50
	Psi	-	-	570-710	570-710	570-710
Suitable Carrier	ton	0.8-2.5	1.5-4.0	3.0-6.0	4.5-8.0	4.5-8.8

Warning: Chisel paste must be used with hydraulic breakers, using high temperature grease as substitution for chisel paste will cause damage to components of breaker. Weights may differ based on selected mount styles. Prices and specifications subject to change without notice.

Special Working Tool	Application			
	Asphalt Removal	Compacting	Post Driving	Severe Duty (Rock Removal)
Asphalt Cutter	✓			
Tamping Pad		✓		
Post Driver			✓	

Conventional Working Tool	Application				
	Primary Breaking	Secondary Breaking	Hard Rock Removal	Soft Material and Rock Material	Demolition
Cross Cut Asphalt Cutter	✓		✓	✓	✓
Inline Asphalt Cutter	✓		✓	✓	✓
Mold Point	✓		✓	✓	✓
Cornical Point	✓		✓	✓	✓
Blunt Point		✓	✓		✓

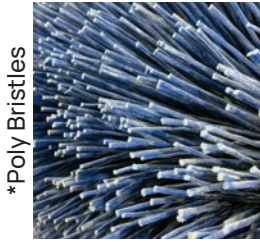
✓ Highly-Recommended

CBR225, CBR500, CBR650, CBR850, CBR1000

Also for walk behind mini loaders, compact track loaders and compact wheel loaders.

Description	Unit	CBR225	CBR500	CBR650	CBR850	CBR1000
Energy Class	ft lbs	225	500	650	850	1,000
Operating Weight	Kg (Lbs)	185 (408)	280 (618)	325 (716)	485 (1,069)	535 (1,179)
Hose Length	In	.5" x 90"	.5" x 100"	.5" x 110"	.75" x 100"	.75" x 110"
Blow Rate (Long stroke)	Bpm	540-1,000	600-1,490	550-1,300	380-1,100	380-1,000
Required Oil Flow	Lpm (Gpm)	15-30 (3.97-7.92)	20-70 (5.2-10.5)	30-65 (7.9-17.1)	38-110 (10.03-29.05)	45-140 (11.88-36.98)
Operating Pressure	Kg/cm ² (Psi)	90-120 (1,280-1,707)	90-120 (1,280-1,707)	110-165 (1,565-2,347)	120-190 (1,707-2,702)	140-190 (1,991-2,702)
Tool Diamater	mm (Inch)	45 (1.77)	57 (2.24)	70 (2.75)	75 (2.95)	80 (3.15)
Suitable Carrier	Ton (Lbs)	0.8-2.5 (1,600-5,000)	3.0-6.0 (6,614-14,330)	3.0-6.0 (6,614-14,330)	4.5-8.0 (9,921-17,637)	4.5-8.0 (9,921-17,637)

Warning: Chisel paste must be used with hydraulic breakers, using high temperature grease as substitution for chisel paste will cause damage to components of breaker. Weights may differ based on selected mount styles. Prices and specifications subject to change without notice.



*Poly Bristles

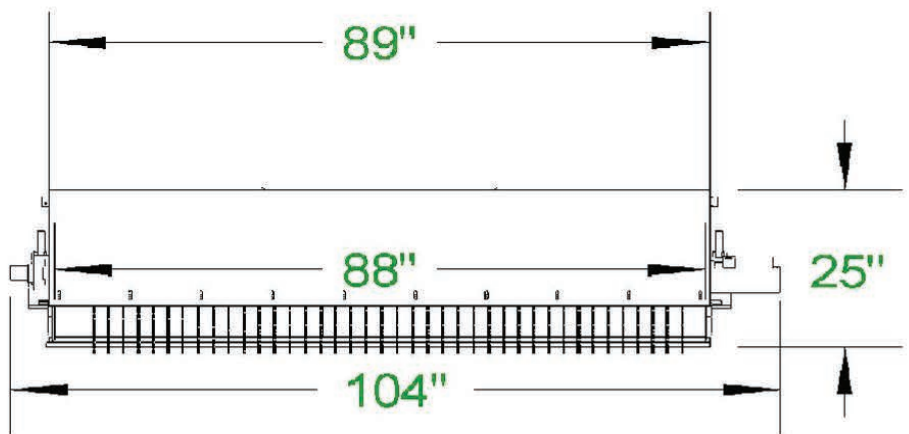
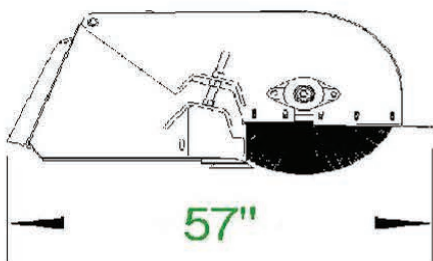


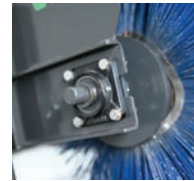
*Mix Bristles

The CID Pickup Broom allows for added efficiency while cleaning. Whether sweeping dirt, light snow, or other debris; our Pickup Broom will easily tackle the job. The 8" Hub and 26" wafers sweep material into the bucket, and the manual hinging broom allows for easy transfer and disposal. Our Pickup Broom has adjustable height to allow for different scenarios and wear.

- Available in poly, wire, or mix
- Available in 72" or 84" Widths

Pickup Broom Specs

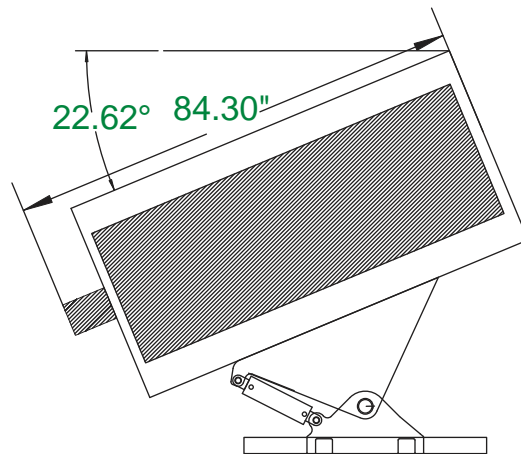
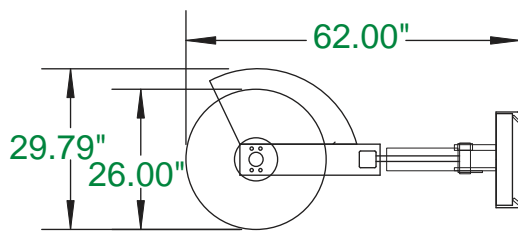




Our X-treme Angle Broom is hydraulically-driven and is an ideal, efficient and effective way to sweep away dirt, light snow and other debris. It is available in 48", 60", 72" and 84" widths and comes with your choice of hydraulic or manual angles. This attachment is powered by a reversible high torque motor. It has an 8" core and a 26" wafer. Poly and steel wafers are available. The 48" width is compatible with Mini Skid Steer Attachments.

- Available with manual or hydraulic angle
- Your choice of poly, wire, or mixed wafers
- Cylinder size 2" x 4 1/2"
- Broom angles left and right
- Optional 32" wafers with 10" core
- Available with universal, 7, 8, or 14 pin wiring harness

X-treme Angle Broom Specs





Heavy Duty



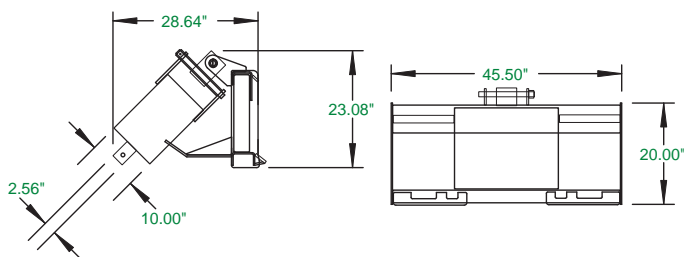
*side profile

- Direct drive through planetary gear
- Mounting plate, hoses and couplings included
- Various auger bit sizes and styles are available
- Heavy duty output shaft
- Heavy duty auger capable of driving up to 36" bit
- X-treme auger capable of driving up to 48" bit
- Excavator mounts available

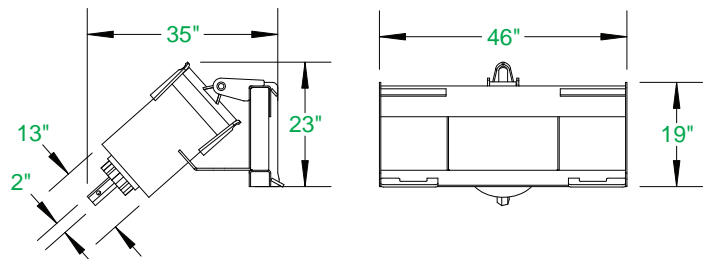
*Heavy Duty Auger Drive pictured

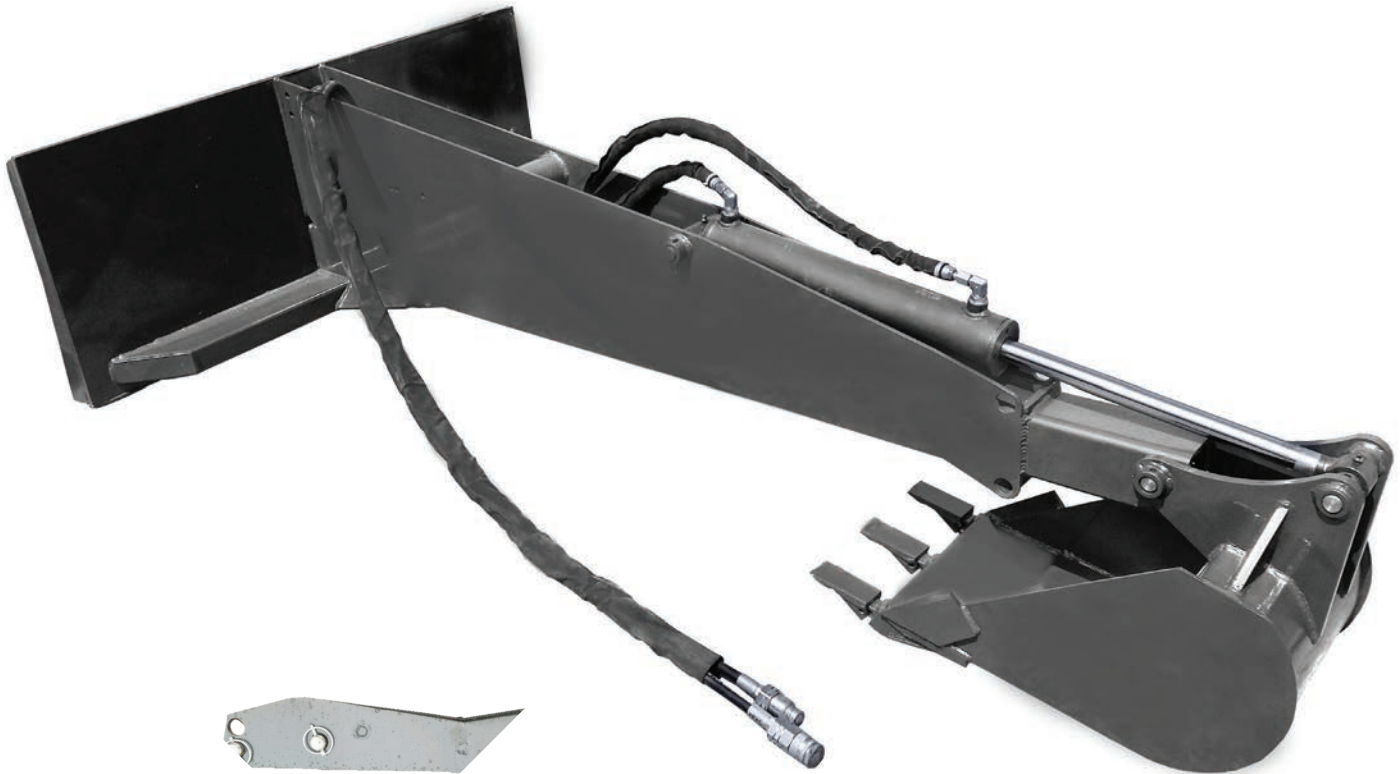
Our new X-treme auger drive has a new robust planetary gearbox capable of driving a 48" diameter auger. The X-treme auger drive you had known in the past is now our heavy duty auger drive and is still capable of driving up to a 36" diameter auger. The X-treme auger drive comes in a 2" hex drive while the heavy duty auger comes in a 2" hex or 2 9/16" round drive.

Heavy Duty Auger Drive Specs



X-treme Auger Drive Specs



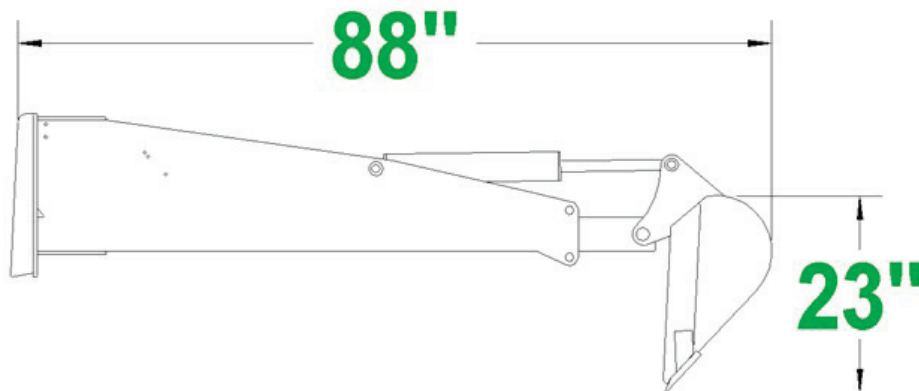


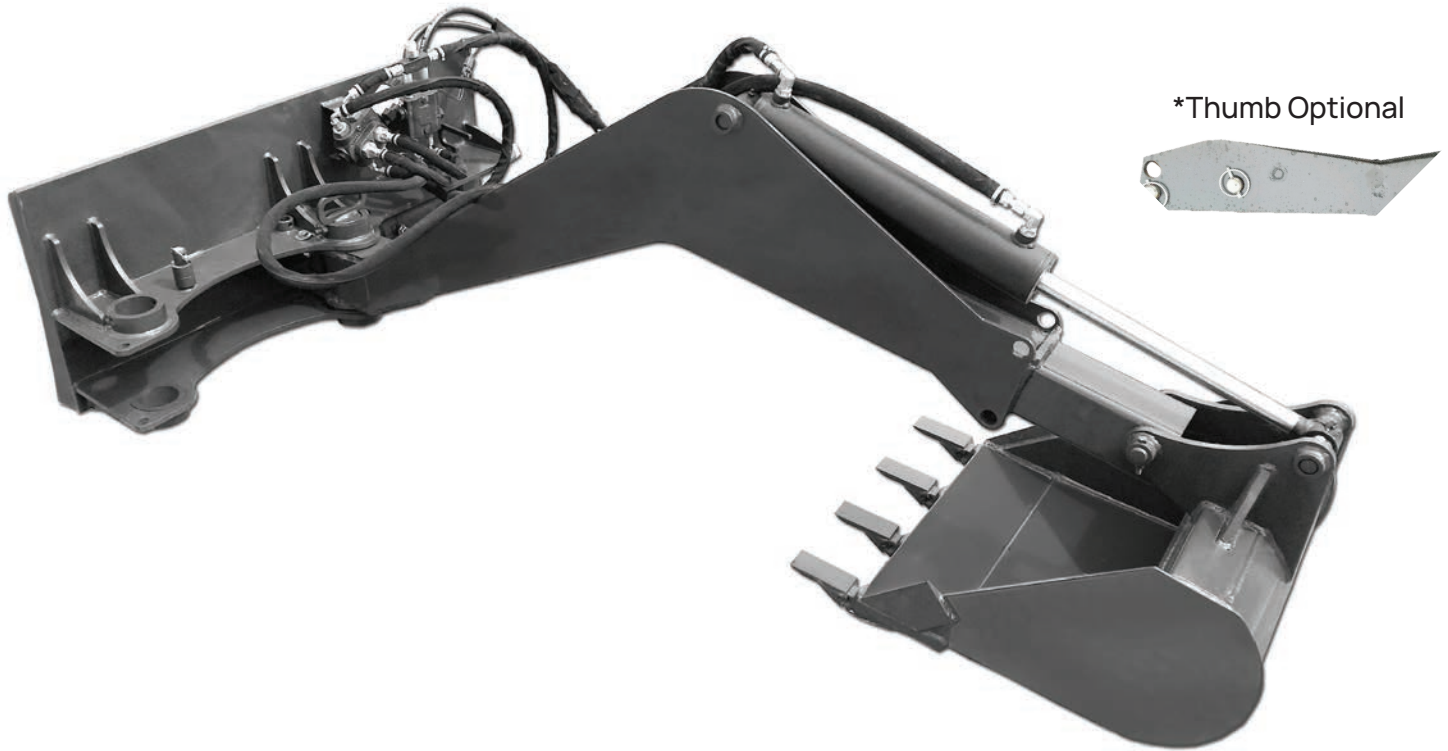
*Thumb Optional

Our X-treme Stiff Arm Backhoe is an excellent tool for digging ditches, removing stumps and digging footings. With the option of adding a thumb, you can move logs, chunks of cement and most anything else. The bucket is powered by an American made 3" x 16" cylinder. With 7' of digging depth and 14,000 lbs. of ripping force, it is an aggressive digging machine.

- **Optional thumb attachment**
- **Digging depth of 7'**
- **3" x 16" cylinders**
- **Available bucket sizes: 8", 12", 16", 20", 24"**

X-treme Stiff Arm Backhoe Specs





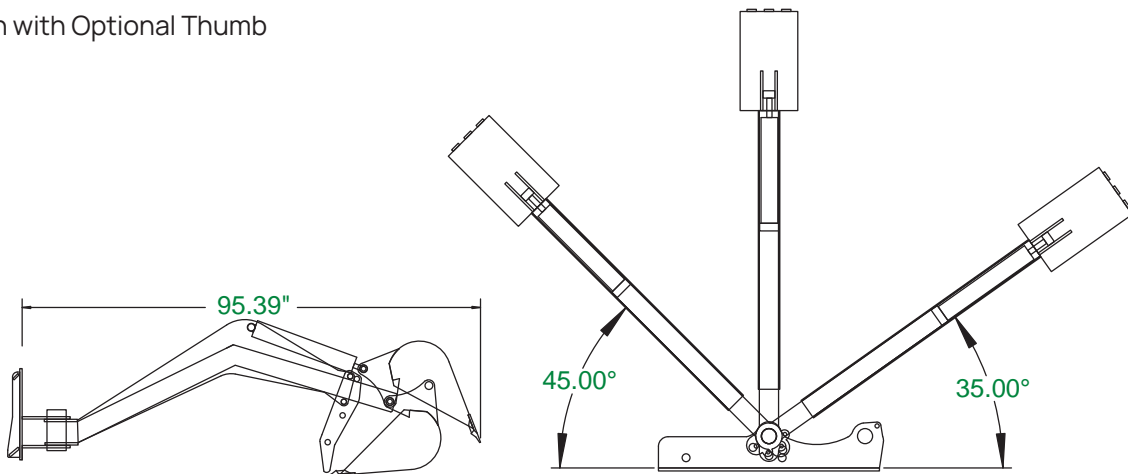
Our X-treme Swing Arm Backhoe is an excellent tool for digging ditches, removing stumps and digging footings. It uses an electric over hydraulic control to operate both the bucket and swing cylinder from one auxiliary valve on your machine. This allows a 110 degree swing right or left.

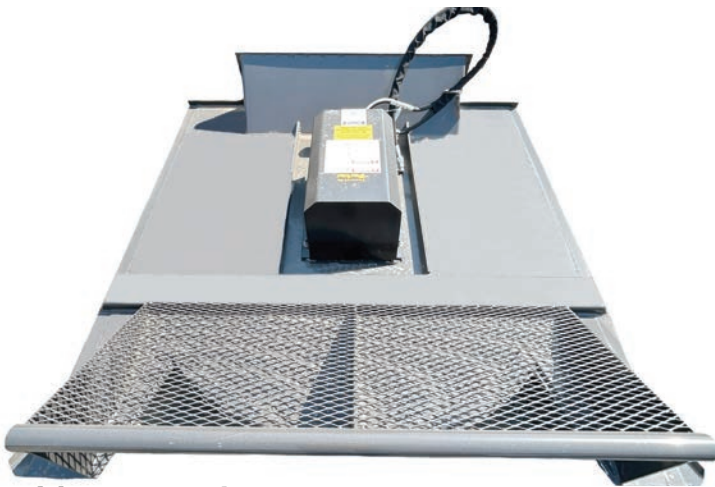
With the option of adding a thumb, you can move logs, chunks of cement or just about anything else. The bucket is powered by an American made 3" x 16" boom cylinder and 3" x 6" swing cylinder. With 7' of digging depth and 14,000 lbs of ripping force, it is an aggressive

- 110 degree swing right or left
- Powered by an American made 3" x 16" boom cylinder and swing 3" x 6" cylinder.
- Available bucket sizes: 8", 12", 16", 20", 24"
- Available with universal 7, 8, or 14 pin wiring harness
- Optional thumb attachment available

X-treme Swing Arm Backhoe Specs

*Specs shown with Optional Thumb





With Open Front



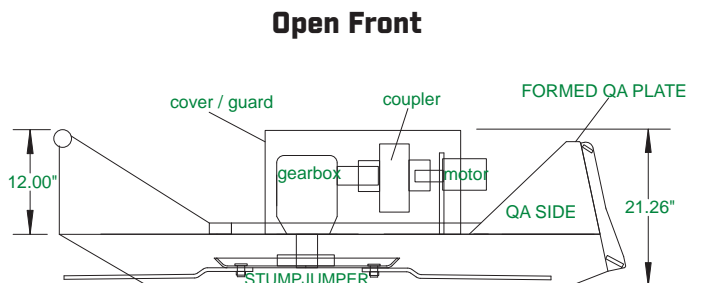
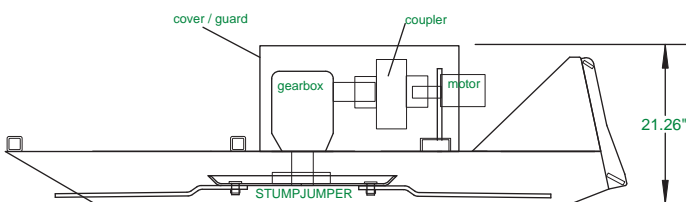
Standard

Our Standard Duty Brush Cutter comes with a 60", 72", or 78" mowing deck. It features 2 blades, a 40HP gear box and stump jumper. A flow of 11-20 gpm is required. Mesh grill is now standard on all with an open front. The one year warranty does not cover the blades or hoses.

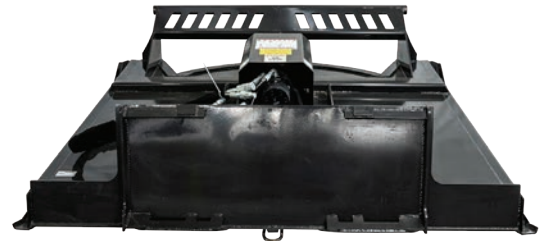
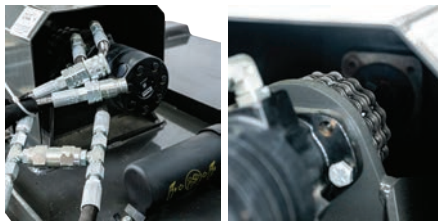
Standard Low Flow Brush Cutter 11 - 20 GPM

- 3" cutting capacity
- 3/16" deck with 3/8" A36 reinforced sides
- 40HP right angle gear box
- 2 blades with stump jumper
- High torque motor with built in relief valve
- Does not require a case drain

Standard Low Flow Brush Cutter Specs



*78" is a fabricated bar style blade.

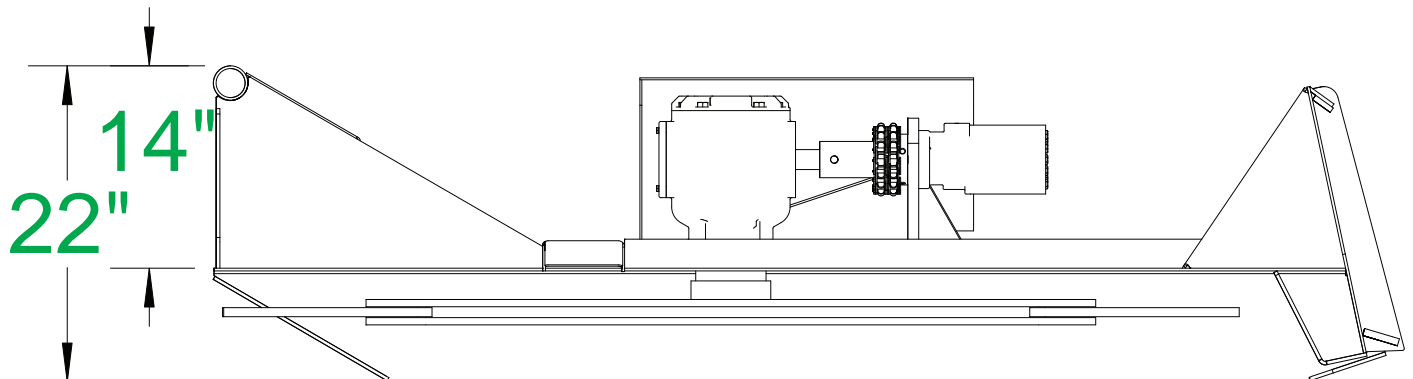


Our Heavy Duty Brush Cutter comes with a 60", 72", or 78" mowing deck. It features a RC100 gear box, Parker motor and fabricated blade holder with bidirectional blades. A flow of 14-20 gpm is required. The one year warranty does not cover the blades or hoses.

Open Front Heavy Duty Brush Cutter 14-20 GPM

- 4" cutting capacity
- 3/16" deck with 3/8" A36 reinforced sides
- RC30 gear box
- Parker motor
- 2 blades made with 5/8" AR400
- Does not require a case drain
- Motor Upgrade available to 16-26 GPM on this

Heavy Duty Open Front Brush Cutter Specs





X-treme Brush Cutter 14 - 20 GPM

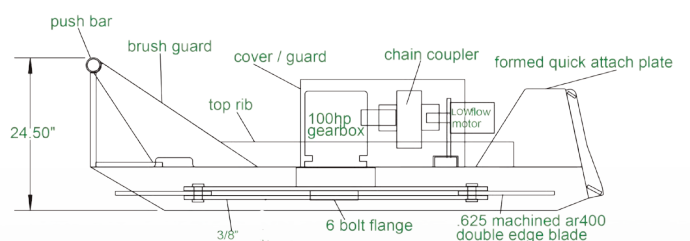
- 6" cutting capacity
- 3/16" deck with sides reinforced with 3/8" AR400
- 3 Bidirectional blades made with 5/8" AR400
- Does not require a case drain
- High torque Parker motor with built in relief valve
- 3/8" Double clover leaf blade holder
- 100 HP right angle gear box with 6 bolt flange blade carrier
- 1/4" Deck optional upgrade
- Optional Mulching Teeth
- Motor Upgrade available to 16-26 GPM on this model

X-treme Brush Cutter 20 - 30 GPM

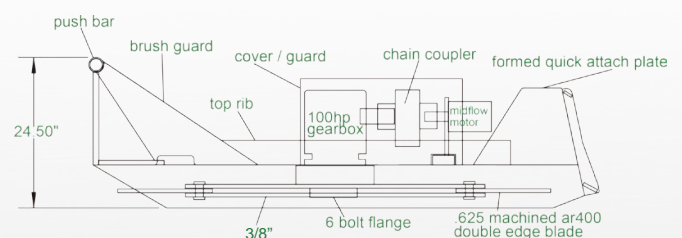
- 6" cutting capacity
- 3/16" deck with sides reinforced with 3/8" AR400
- 3 Bidirectional blades made with 5/8" AR400
- Does not require a case drain
- High torque Parker motor
- 3/8" Double clover leaf blade holder
- 100 HP right angle gear box with 6 bolt flange blade carrier
- 1/4" Deck optional upgrade
- Optional Mulching Teeth

Our X-treme Brush Cutter is an ideal attachment for tough clearing applications. The cutter comes in a 60", 72", 78" or 84" cutting width. It is equipped with bidirectional blades, powered by a high torque motor and features a 100-hp Omni gear box. A flow of 14-20 gpm is required on the low flow, 20-30 gpm on the mid flow. The one year warranty does not cover the blades or hoses. Fourth blade option available on 72" and larger.

X-treme Brush Cutter 14-20 GPM Specs



X-treme Brush Cutter 20-30 GPM Specs





The CID X-treme Tree Reaper combines strength and efficiency. The Direct Drive motors provide all the power, without the restrictions of a gear box. The Tree Reaper uses a 16-26 GPM Gear motor (no case drain required) providing a 5" cutting capacity, or a 17-30 GPM Piston motor (case drain required) providing a 7" cutting capacity. This cutter features replaceable skid shoes, 3x AR400 non-welded blades, optional mulching teeth, and an optional grill.

Now offering a **NEW 30-48 GPM** model with mulching teeth.

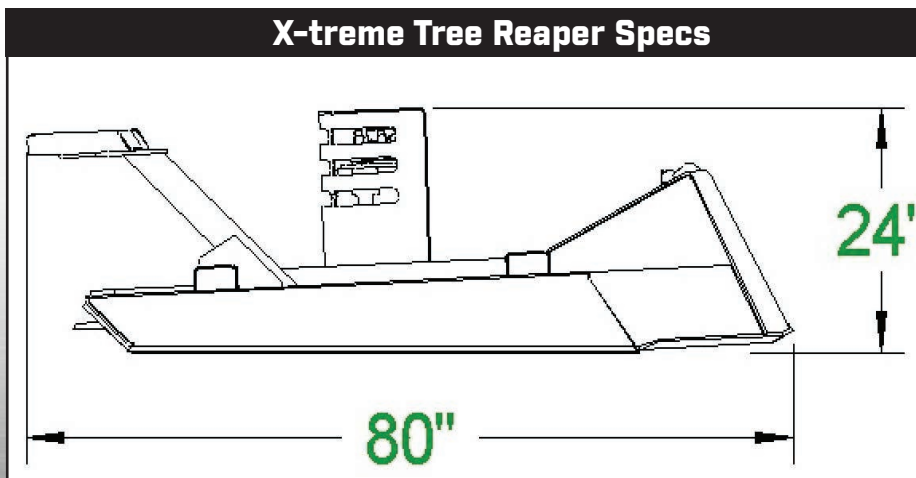
- 7" Cutting Capacity
- Replaceable Skid Shoes
- Three 5/8" AR400 Blades
- Blades secured using non-welded Bushing System
- Optional Mulching Teeth
- Three Motor Options:
 - 16-26 (No Case Drain)
 - 17-30 (Case Drain Required)
 - 30-48 (Case Drain Required)
- Sizes available: 60", 72", 78"
- Current 30-48 sizing offered is 72MT, and 78MT.



X-TREME TREE REAPER BLADE ATTACHMENT

VS.

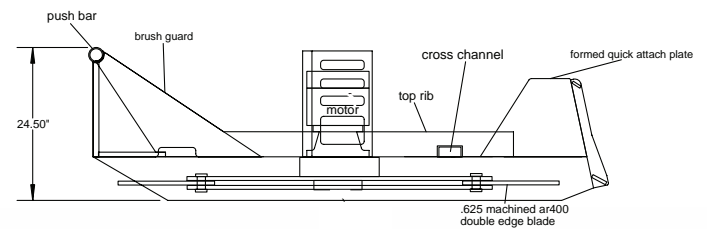
X-TREME BRUSH CUTTER BLADE ATTACHMENT





Our X-treme Brush Cutter is an ideal attachment for tough clearing applications. The cutter comes in a 60", 72", 78" or 84" cutting width. It is equipped with bidirectional blades, powered by a high torque direct drive piston motor and bearing housing. We offer flows of 17-27 gpm, 27-35 gpm and 30-48 gpm. The one year warranty does not cover the blades or hoses. No 4th Blade option on 60" Cutters. Fourth blade option available on 72" and larger.

X-treme Brush Cutter Specs



X-treme Brush Cutter 30 - 48 & 27 - 35 GPM

- 7" cutting capacity
- 1/4" deck with sides reinforced with 3/8" AR400
- Piston Motor direct drive
- 3 Bidirectional blades made with 5/8" AR400
- Requires a case drain
- Available in 60", 72", 78" or 84" cutting width
- 1/2" Double clover leaf shaped blade holder

X-treme Brush Cutter 17 - 27 GPM

- 7" cutting capacity
- 3/16" deck with sides reinforced
- 3 Bidirectional blades made with 5/8" AR400
- Requires a case drain
- Piston Motor direct drive
- Available in 60", 72", 78" or 84" cutting width
- 3/8" Double clover leaf shaped blade holder

Severe Duty Bent Axis Piston Cutter



Bent Axis Piston Explanation:
Bent-axis motors can be 'bent' to an angle of up-to around 40° and have a wider operating torque/speed range than an in-line motor of the same displacement.

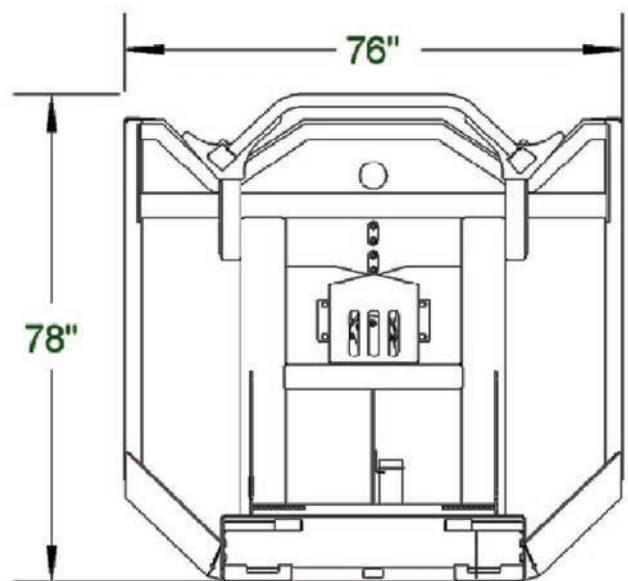
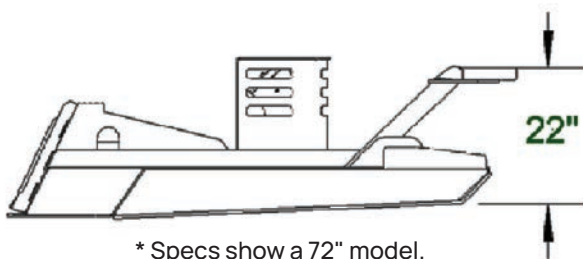


The CID Severe Duty Piston Cutter is powered by a Parker bent axis piston motor. With a continuous cutting capacity of 10 inches, you will make quick work of your brush cutting needs. The 72" cutter has four blades/16 mulching teeth, and the 78" cutter has four blades/20 mulching teeth. Either option will allow for the ultimate mulching capability. The Severe Duty Cutter requires a case drain.

Severe Duty Piston Cutter

- 30-50 GPM & 20-30 GPM
- 10" Cutting Capacity
- Four - 3/4" AR400 Blades
- AR 400 Replaceable skid shoes
- 1/4" Deck
- Parker bent axis motor
- Offered in 72" and 78" cut width
- All come with standard mulching teeth

Severe Duty Piston Cutter Specs



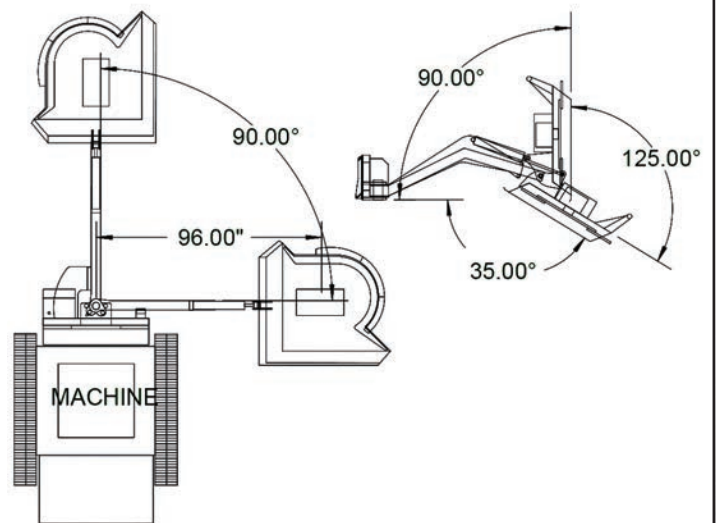


Our Swing Boom Cutter is a great implement to add to your collection. It is designed for cutting banks, fence lines, and right of ways. It also works great for clearing pond banks and cutting trails. This cutter has a significant reach advantage over our typical cutter. With a reach of 96" when extended horizontally and a vertical reach of sixteen feet, it makes clearing unwanted tree limbs less of a hassle. The cutter will also swing to the right and can be used as a side cutter. It is powered by a high torque motor with built in relief valve with a maximum supply pressure of 4000 PSI. A flow of 14-20 gpm is required.

Swing Boom Cutter - 14-20 GPM & 16-26 GPM

- 3" cutting capacity
- Maximum supply pressure of 4000 PSI
- Can be used as a side cutter
- High torque motor with built in relief valve
- 3" x 16" tilt cylinders
- 5/8" AR400 Blades
- 44" Cut
- Does not require a case drain
- Operates with a universal, 7 pin, 8 pin, or 14 pin wiring harness
- Available with a 16-26 GPM motor upgrade that includes 3/4" hydraulic hoses.

Swing Boom Cutter Specs



Piston Swing Boom Cutter - 17-30 GPM

- 4" cutting capacity
- Reach advantage over our typical cutter
- Can be used as a side cutter
- Direct drive piston motor with max 4000 PSI
- 3" x 16" tilt cylinders
- 5/8" AR400 Blades
- 44" Cut
- Requires a case drain
- Operates with a universal, 7 pin, 8 pin, or 14 pin wiring harness

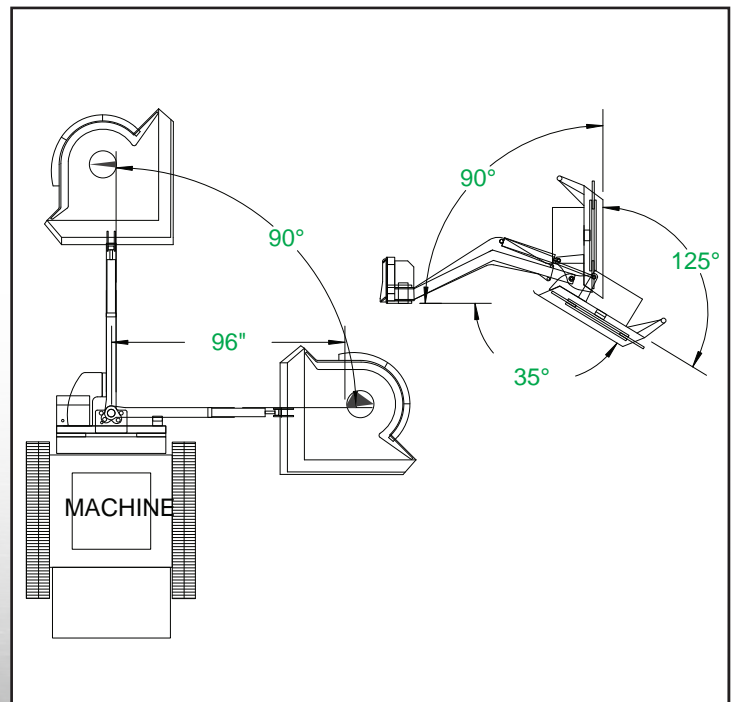


Our Swing Boom Cutter is a great implement to add to your collection. It is designed for cutting banks, fence lines, and right of ways. It also works great for clearing pond banks and cutting trails.

This cutter has a significant reach advantage over our typical cutter. With a reach of 96" when extended horizontally and a vertical reach of sixteen feet, it makes clearing unwanted tree limbs less of a hassle.

The cutter will also swing to the right and can be used as a side cutter. It is powered by a direct drive piston motor on a bearing housing with 4000 Max PSI. A flow of 17-30 gpm is required.

Swing Boom Cutter Specs





TRUSTED ATTACHMENTS

Excavator Brush Cutter

Interchangeable bolt on mounts available!

Standard Duty



*Shown with no mount

Standard Excavator Brush Cutter- 12-17 GPM & 17-24 GPM

- Cut trees up to 2" in diameter.
- 12-17 GPM, 17-24 GPM.
- **Optional Star Motor (12-29 GPM)**
- No Case Drain Required

Our Standard Duty version is designed for miniexcavators under 12,000 lbs. operating weight. It is offered in **three** different motor options that will allow you to clear dense brush and saplings up to 2" in diameter with long-lasting high tempered steel blades.



Star Motor

X-treme duty



*shown with optional knee and excavator mount installed.

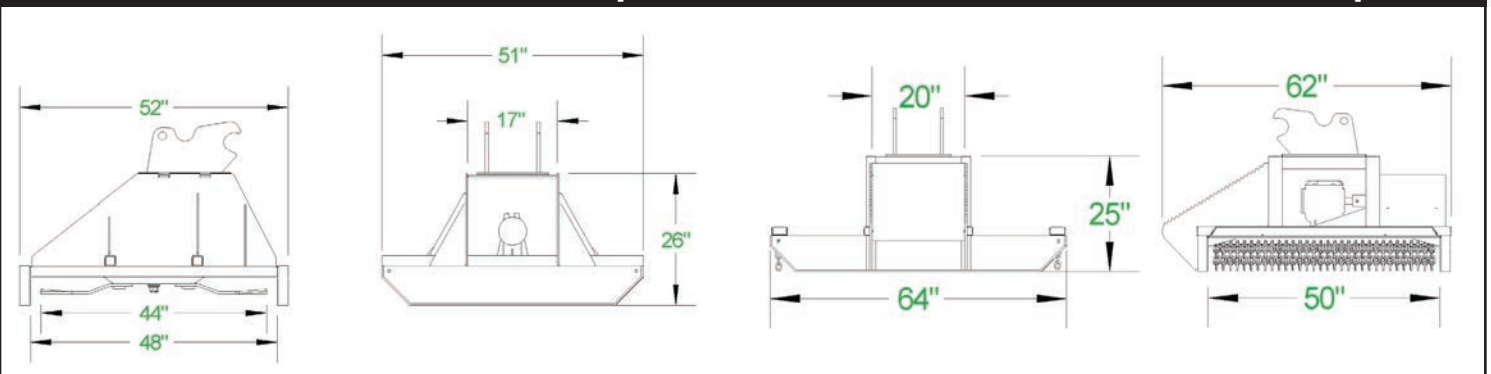
X-Treme Excavator Brush Cutter - 14-20 & 20-26 & 24-30 GPM

- Cut trees up to 3" in diameter.
- AR400 steel blades.
- 14-20 GPM, 20-26 GPM, or 24-30 GPM.
- Debris chains optional

With our X-treme Excavator Brush Cutter, you will clear dense brush and trees up to 3" in diameter with the long lasting AR400 steel blades. Our X-treme Excavator Cutters are designed for Excavators with an operating weight of 12,000 lbs and over. The small size easily maneuvers in tight spaces at a job site, around buildings, fence lines or on your property. We have **three** different motor and gearbox combinations to achieve the highest torque available while maintaining a proven blade tip speed ideal for your operating machine.

Standard Excavator Brush Cutter Specs

X-treme Excavator Brush Cutter Specs

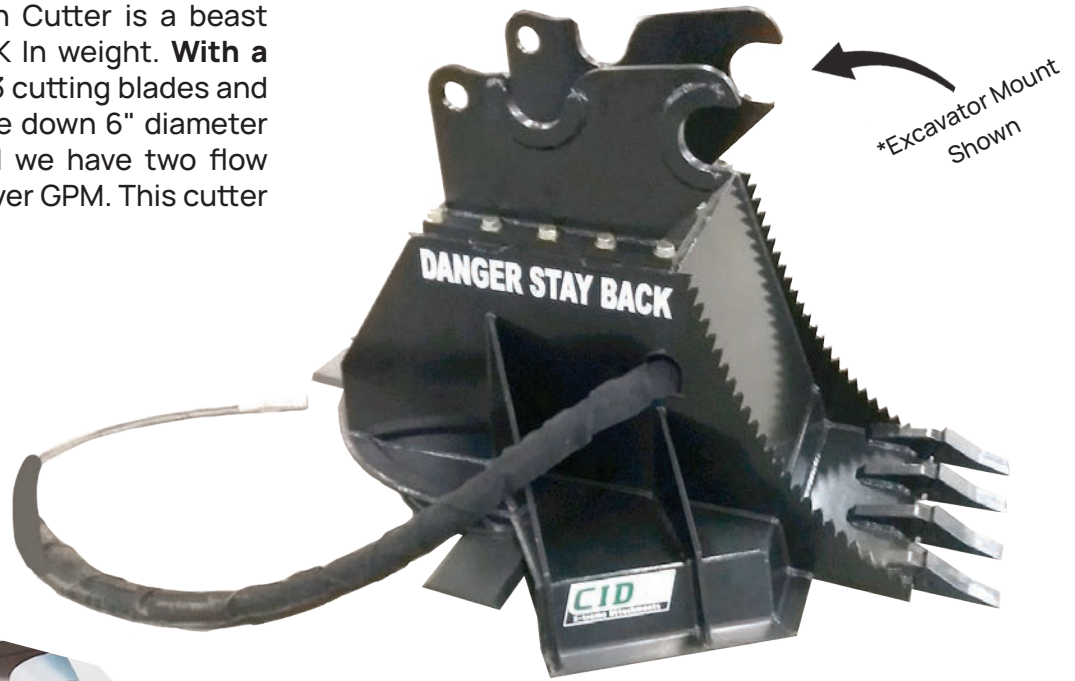




TRUSTED ATTACHMENTS

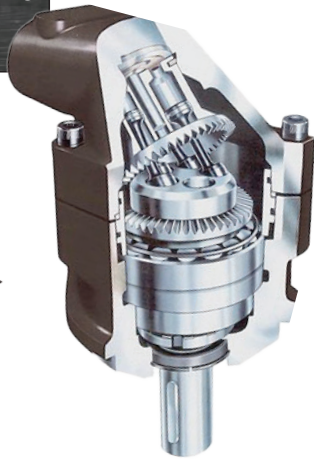
Severe Excavator Cutter

The CID Severe Excavator Brush Cutter is a beast for machines that are 12K to 18K In weight. **With a Parker bent axis piston motor**, 3 cutting blades and mulching teeth, it can easily take down 6" diameter trees. The cut width is 44", and we have two flow options: 17-35 GPM and 35 and over GPM. This cutter will require a case drain.



Bent Axis Piston Explanation:

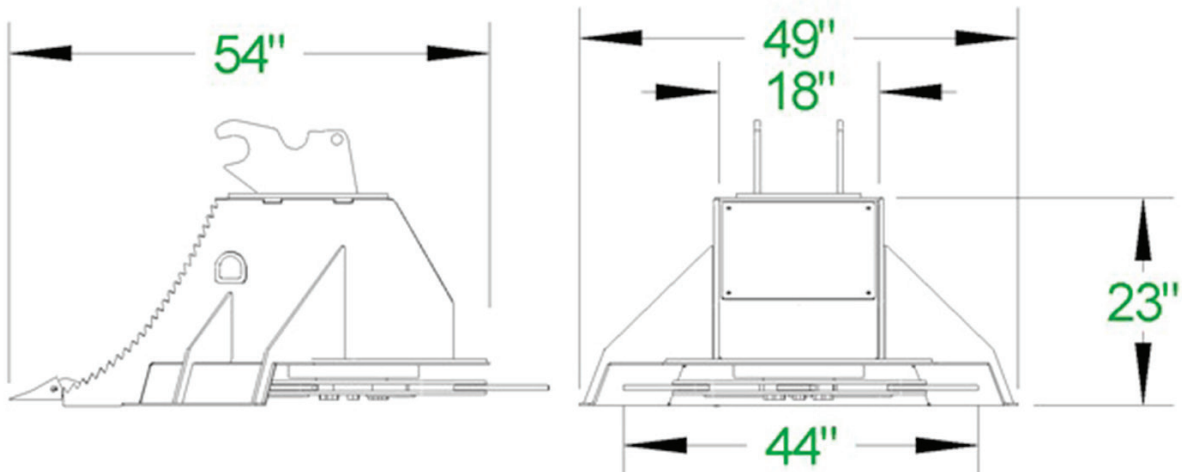
Bent-axis motors can be 'bent' to an angle of up-to around 40° and have a wider operating torque/speed range than an in-line motor of the same displacement.



Severe Excavator Cutter - 17-35 & 35+ GPM

- 6" Diameter Cutting Capacity
- 44" Cut Width
- 3x AR400 Cutting Blades
- 9x Mulching Teeth
- 17-35 GPM Motor and 35+ GPM Motor
- Requires Case Drain

Severe Excavator Brush Cutter Specs



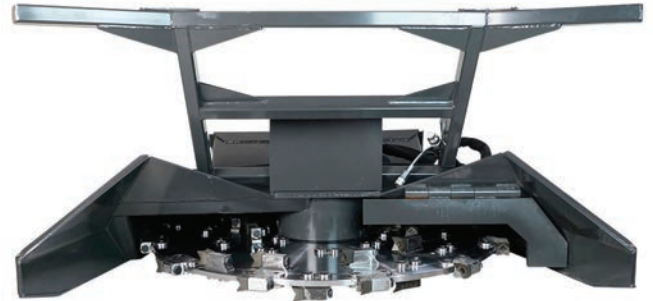
The Mix & Go Skid Steer Concrete Mixers line consists of four models: BMX-100, 250, 450, and 600. These mixers have capacities ranging from 3.53 cu. ft to 21 cu. ft, making them suitable for a variety of machine sizes and operations. All models can handle aggregates up to 1.25" in diameter. Additionally, each mixer size seamlessly scoops, mixes, and dispenses various cementitious materials.



	BMX-100	BMX-250	BMX-450	BMX-600
--	---------	---------	---------	---------

	BMX-100	BMX-250	BMX-450	BMX-600
CAPACITY	3.53 Cubic Feet / 26.4 Gallons	8.82 Cubic Feet / 66 Gallons	15.89 Cubic Feet / 118.9 Gallons	21.18 Cubic Feet / 158.5 Gallons
CENTER DISCHARGE CHUTE	N/A	8" Diameter Hydraulic Control	8" Diameter Hydraulic Control	8" Diameter Hydraulic Control
DRIVE SYSTEM	Gear Driven	Chain Driven	Chain Driven	Chain Driven
ELECTRICAL	N/A	12V Switched Solenoid	12V Switched Solenoid	12V Switched Solenoid
FLOW RANGE	11-16 GPM	11-22 GPM	11-22 GPM	11-22 GPM
MAX PRESSURE	N/A	3500 PSI	3500 PSI	3500 PSI
PADDLE MATERIAL	Hardox 400	Hardox 400	Hardox 400	Hardox 400
SIDE DISCHARGE CHUTE	Manual Lever	Manual Lever	Manual Lever	Manual Lever
WEIGHT-EMPTY	419 lbs.	838 lbs.	1,009 lbs.	1,389 lbs.
WEIGHT-FULL LOAD	816 lbs.	2,161 lbs.	3,362 lbs.	4,564 lbs.
WIDTH	41"	58"	64"	81"
HOOKUPS	MINI SS	SS Loader	SS Loader	SS Loader



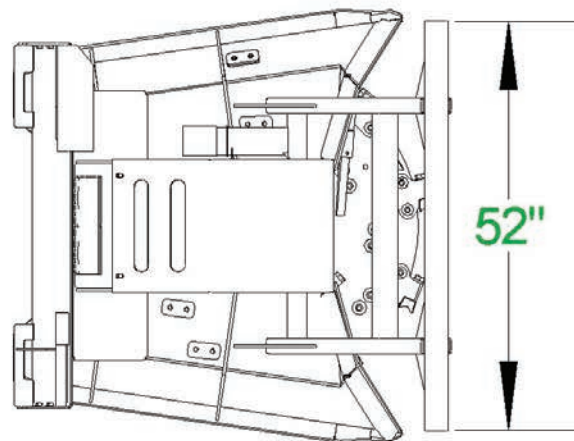
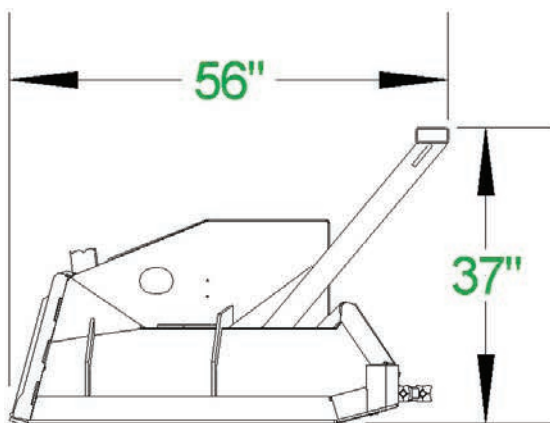


The Forestry Disc Mulcher can mulch 4" material in seconds, and cuts trees up to 8" in diameter. This mulcher features a 44" diameter cutting area, and a machined and statically balanced disc. The disc holds a total of **34 mulching teeth, with 4 located on the deck**, providing the muscle for your toughest clearing needs.

Forestry Disc Mulcher - 20-30 GPM & 30-44 GPM

- 8" Diam. Cutting Capacity
- 44" Diameter Disc-No Welding
- 100 CC Motor Requires 20-30 GPM
- 150 CC Motor Requires 30-44 GPM
- 3/8" Deck and Sides Allow for below ground cutting
- Teeth on all surfaces, deck, and sides
- 1" Hinged Deflector Plate
- Larger Trees can be vertically mulched quickly
- **Requires case drain**

Forestry Disc Mulcher 44" Specs



Forestry Disc Mulcher 60"

The Forestry Disc Mulcher can mulch 6" material in seconds, and cuts trees up to 14" in diameter. This mulcher features a 44" diameter cutting area, and a machined and statically balanced disc. The disc holds a total of **49 mulching teeth**, with **5** located on the deck, providing the muscle for your toughest clearing needs.

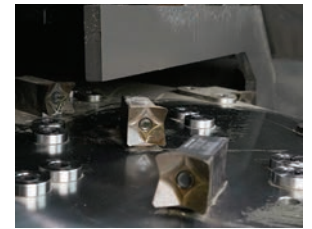


Forestry Disc Mulcher - 32-44 GPM & 45-60 GPM

- 14" Diam. Cutting Capacity
- 150cc motor requires 32-44 GPM, 3200-5000 PSI
- 200cc motor requires 45-60 GPM, 3200-5000 PSI
- 3/8" thick deck & reinforced sides
- Replacable Teeth on top & bottom of blade -
- 1" thick hinged deflector
- Allows below ground cutting
- **Recommend using with a enclosed and protected cab,**
- Requires case drain

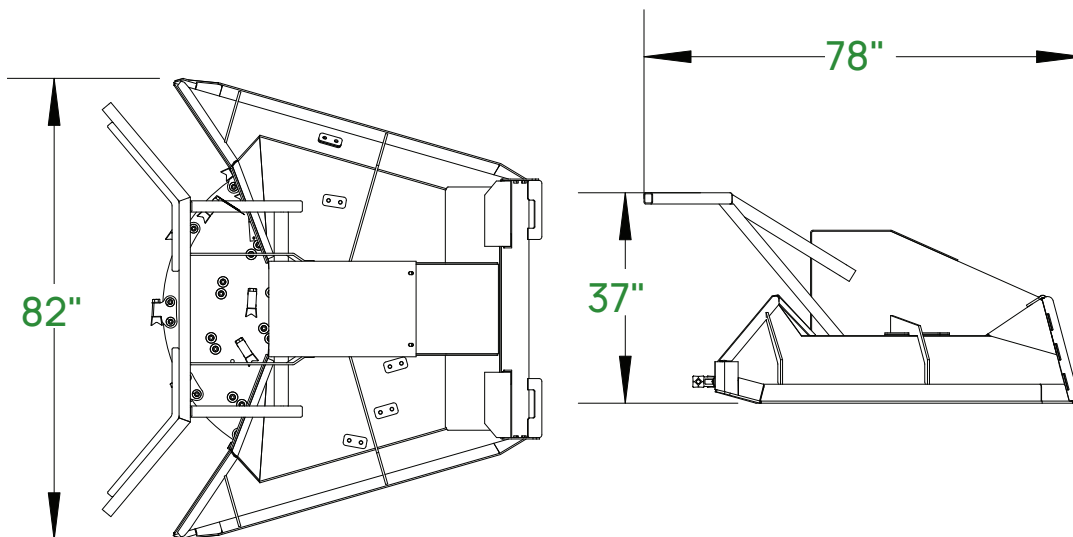


Turn, Sharpen, or Replace Teeth



Fully Machined Disc

Forestry Disc Mulcher Specs



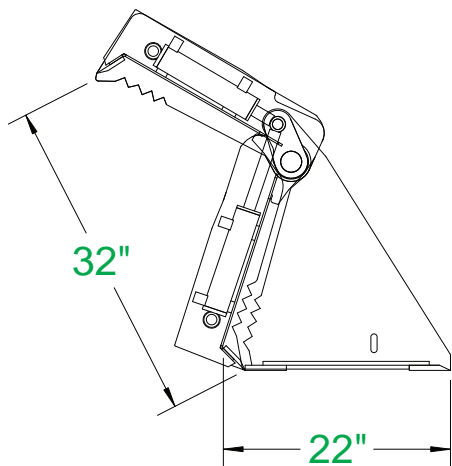


The CID 4-N-1 Buckets are versatile attachments for your skid steer. These attachments are ideal for grappling, dozing, backfilling, loading, digging and fine grading.

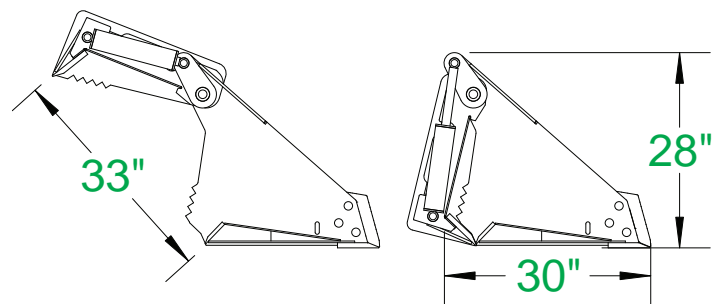
The cylinders on our compact tractor 4-N-1 Buckets have a 2" bore, and our Standard Duty & Heavy Duty 4-N-1 Buckets have a 2.5" bore. The 4-N-1 Buckets are equipped with a 1/2" x 6" cutting edges and 1/2" x 4" at all other engaging points. The 4-N-1 Buckets are built with top quality steel, oversized pins and bushings, with grease fittings at every pivot point. Every unit exceeds the lifting capacity of the skid steer machine it is used on.

- 2" cylinders on compact tractor
- 2.5" cylinders on standard duty and heavy duty
- Grease fittings at every pivot point
- Optional weld on teeth
- Optional bolt on edge (HD)
- Optional side cutter (HD)
- Compact Tractor rated for under 40 hp
- Standard Duty rated for 40 - 50 hp
- Heavy Duty rated for 50 - 65 hp

Compact Tractor 4-N-1 Bucket Specs



Standard Duty / Heavy Duty 4-N-1 Bucket Specs



4-N-1 Buckets X-Treme and Severe

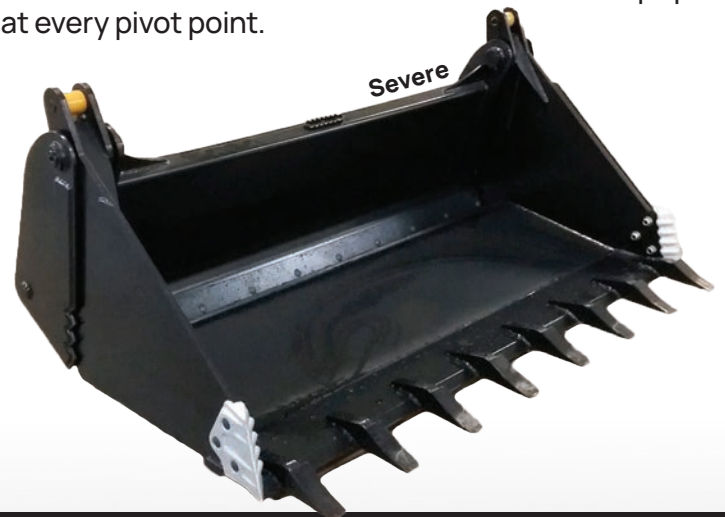


- Optional weld on teeth
- Optional bolt on edge
- Side Cutters standard on both styles
- X-treme Duty rated for 65 hp and larger
- Severe Duty rated for 70 hp and above

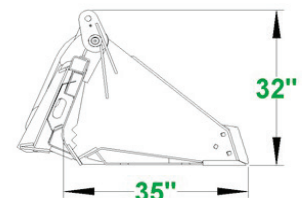
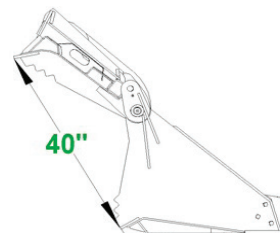
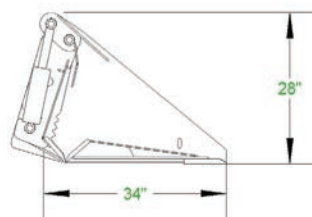
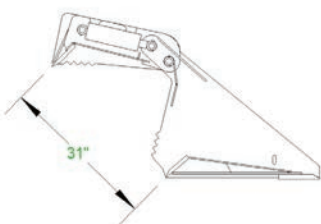
The X-treme and Severe 4-N-1 Buckets are designed to handle heavier material and more rigorous usage. The Severe 4-N-1 has replaceable 4" x 1/2" rear edges. Both the X-treme and Severe 4-N-1 are built with top quality steel, oversized pins and bushings, with grease fittings at every pivot point.



X-treme 4-N-1 Bucket Specs



Severe 4-N-1 Bucket Specs

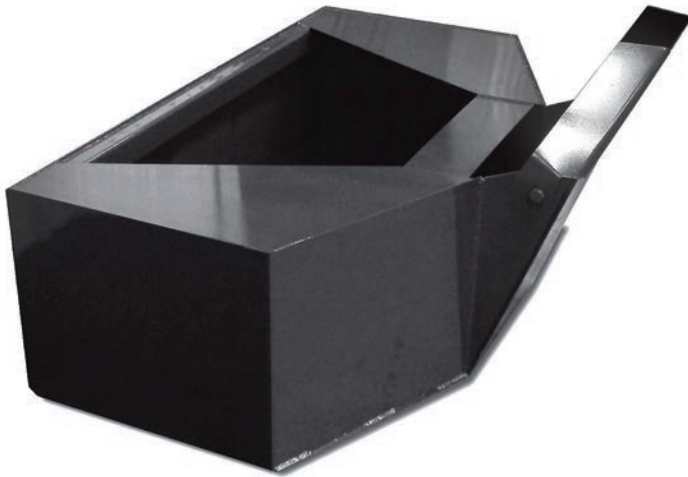




TRUSTED ATTACHMENTS

Concrete/Cement Bucket

Standard



Hydraulic

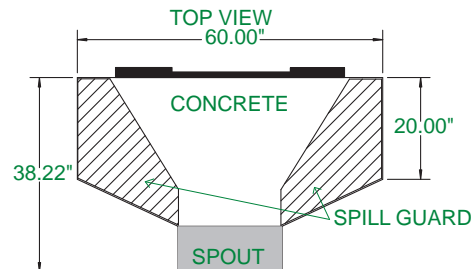
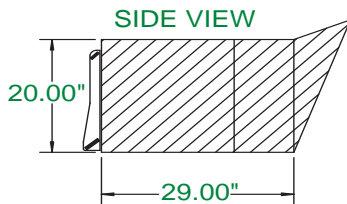


Our concrete bucket is designed for carrying and placing concrete using your skid steer. It allows you to accurately place concrete in areas inaccessible to trucks without any waste.

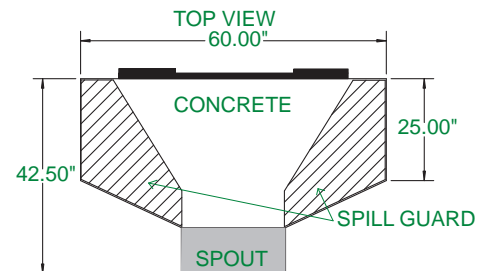
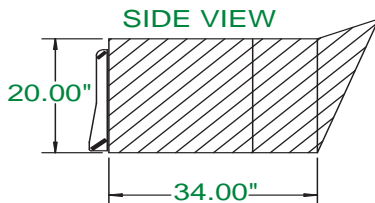
- 3/16 material
- Optional hydraulic chute
- Available in 1/2, 3/4 or 1 yard capacity

X-treme Concrete/Cement Bucket Specs

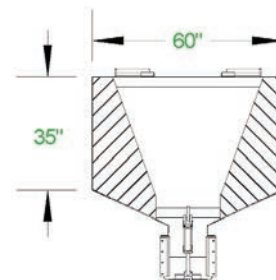
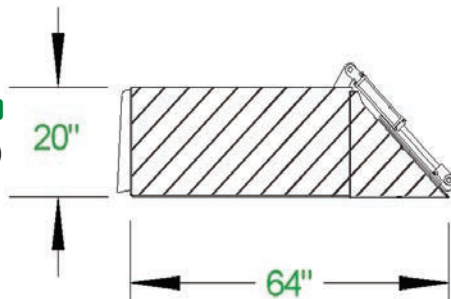
1/2 YARD
(standard)



3/4 YARD
(standard)



1 YARD
(hydraulic)

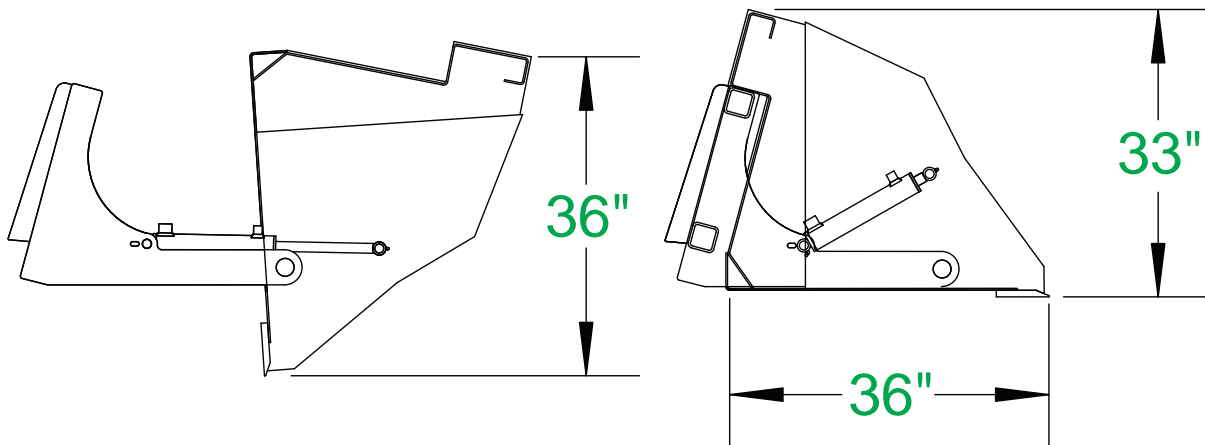




Our X-treme High Dump Bucket is an essential tool in the poultry business. With the extra 3 feet of dumping height, you can easily load dump trucks to capacity. The CID High Dump Bucket has extra tall sides to make your clean up jobs go faster. The cylinders are protected on the sides so you don't lose material space inside the bucket. This feature also makes clean out much easier.

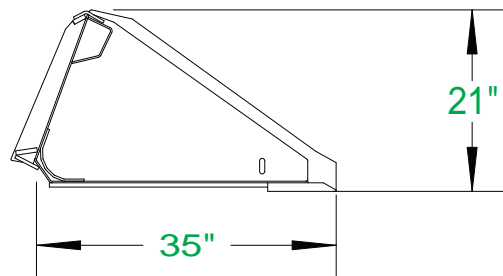
- 3 extra feet of dumping height
- Cylinders protected on the sides
- 2" x 10" twin cylinders
- 3/4" x 6" edge
- 3/16" bucket wrap

X-treme High Dump Bucket Specs



Long Bottom Bucket

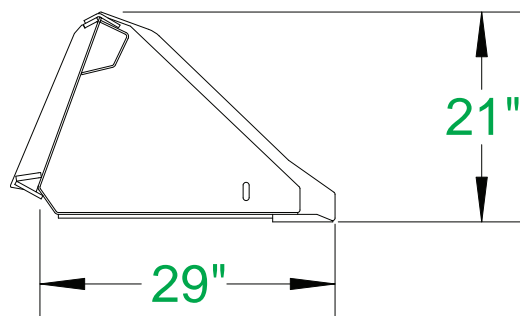
The Heavy Duty Long Bottom Bucket is designed for greater visibility of the cutting edge. It will also hold more material than the Low Profile Bucket. Its made for up to 65 HP track machines and up to 70 HP on wheel machines. X-treme Duty package option available for up to 110 HP machines



- Designed for greater visibility of the cutting edge
- Optional bolt on edge
- Optional weld on teeth are available
- Optional bolt on side cutting teeth
- 3/16" bucket wrap
- 3/4" x 6" edge
- 3/8" wear bars & side edge
- X-treme Duty package offered (1/4" wrap 1" x 8" edge) 1/2" side edge & wear bars

Low Profile Bucket

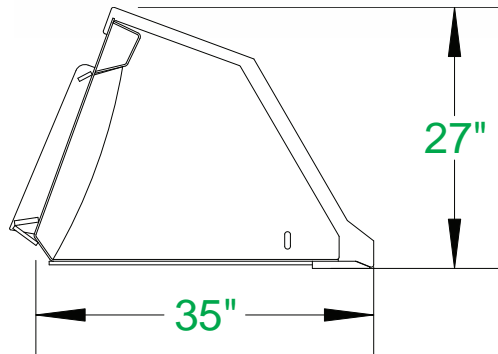
The Heavy Duty Low Profile Bucket is ideal for moving, digging and grading dirt or gravel. Its made for up to 65 HP track machines and up to 70 HP on wheel machines.



- Optional bolt on edge
- Optional weld on teeth are available
- 3/16" bucket wrap
- 3/4" x 6" edge
- 3/8" wear bars & side edge

Snow-N-Litter Bucket

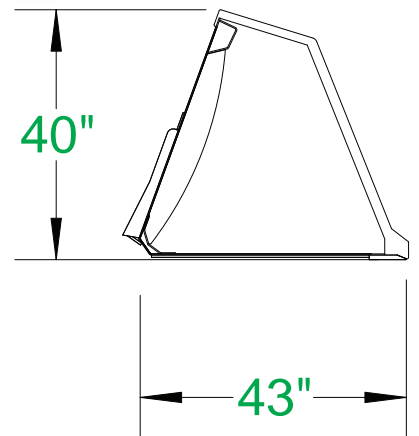
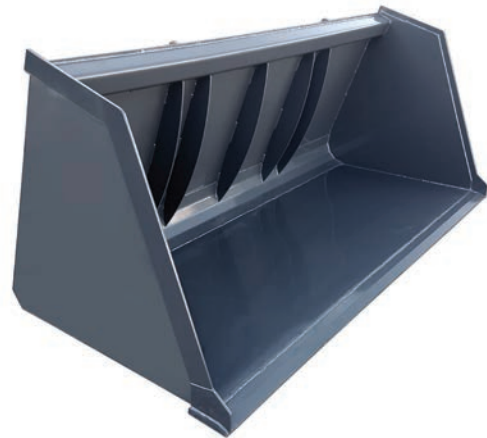
The Heavy Duty Snow & Litter Bucket is ideal for lifting large volume, low weight material such as snow, mulch, manure, sawdust, shavings and any other type of loose or light debris. Its made for up to 65 HP track machines and up to 70 HP on wheel machines. Xtreme duty package option is made for up to 110 HP



- Designed for large volume, low weight material
- Optional bolt on edge is available
- 3/16" bucket wrap
- 3/4" x 6" edge
- 3/8" wear bars & side edge
- X-treme Duty package offered (1/4" wrap 1" x 8" edge) 1/2" side edge & wear bars

Turkey Litter Bucket

CID Turkey Litter bucket is mostly used for snow removal, loading mulch and poultry litter removal. It is basically an oversized version of our snow and litter bucket. Its made for up to 65 HP track machines and up to 70 HP on wheel machines. Xtreme duty package option is made for up to 110 HP machines.



- Designed for large volume, low weight material
- Optional bolt on edge is available
- 3/16" bucket wrap
- 3/4" x 6" edge
- 3/8" wear bars & side edge

X-treme Duty Package Information

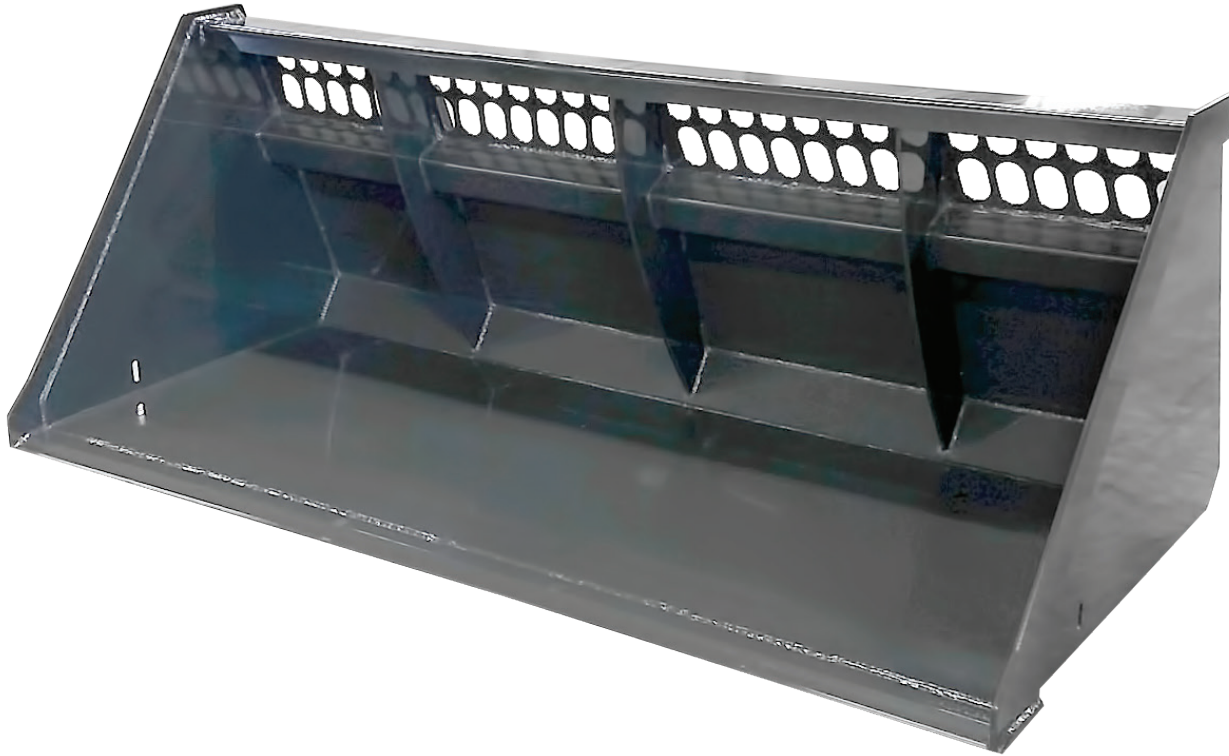
- X-treme Duty package offered (1/4" wrap 1" x 8" edge) 1/2" side edge & wear bars
- 102", 108", 120" are standard with extreme package



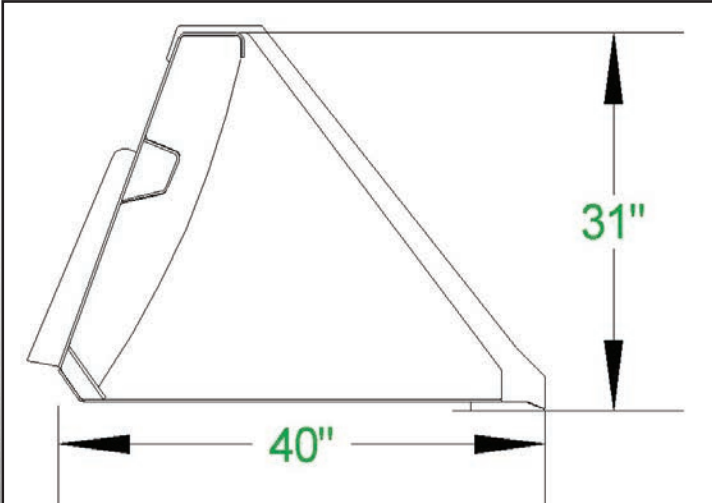
CID

TRUSTED ATTACHMENTS

High Capacity Snow-N-Litter Bucket



High Capacity Snow-N-Litter Bucket Specs



The CID High Capacity Snow-N-Litter Bucket was built to handle large volumes of material. This bucket has viewing slots in the back, allowing line of sight with the edge. With a 31" height and 40" depth, the high capacity bucket will make transportation of light material more efficient. The bucket is constructed of 3/16th" steel with a 3/4 x 6 cutting edge.

- Slotted back plate for edge view
- Optional bolt on edge
- X-treme Duty package offered (1/4" wrap 1" x 8" edge)
1/2" side edge & wear bars

X-treme Track Loader Bucket

Designed for the most demanding track loaders on the market. 1" x 8" cutting edge, 1/2" AR400 heel plate and 1/2" wear bars, reinforced quick attach, 1/4" bucket wrap, rolled back for easy clean out. 65 hp and over. **This is the strongest bucket we offer!**



*Shown with optional teeth and side cutters

Industrial Track Loader Bucket

The Industrial Track Loader Bucket is a comparable alternative to your track loader OEM bucket with some upgrades. 1" x 8" cutting edge gives more strength to your bucket while giving you 2" more cutting edge. A rolled back allows for exceptional cleanout. Reinforced quick attach and two piece back for extra strength. Low profile design for better visibility.

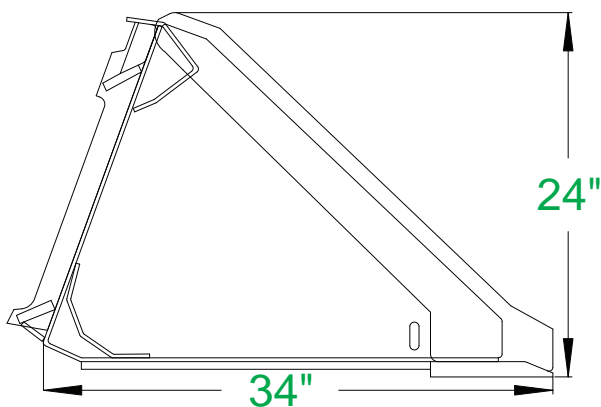


*Shown with optional side cutters and bolt on edge.

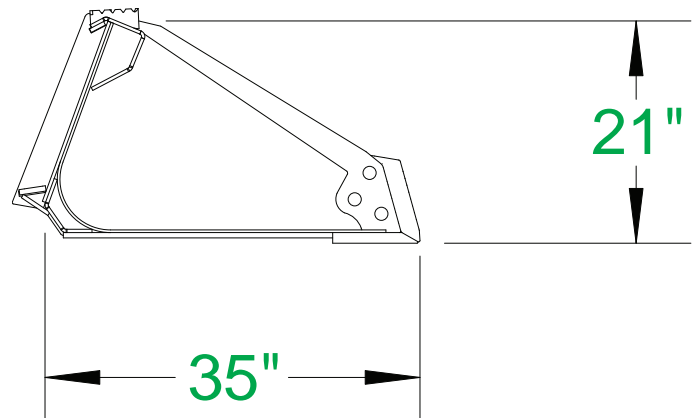
- X-Treme Industrial Strength (Strongest!)
- 1" x 8" cutting edge
- 1/2" AR400 heel plate
- 1/2" Wear bars
- 1/4" Bucket wrap
- Optional side cutting teeth and bolt on edge
- Rated for 65 hp and larger

- Standard Industrial Strength
- 1" x 8" cutting edge
- 1/2" wear bars
- 3/16" bucket wrap
- Optional teeth, bolt on edge, and side cutting edge
- Rated for 65 hp and larger

X-treme Track Loader Bucket Specs



Industrial Track Loader Bucket Specs



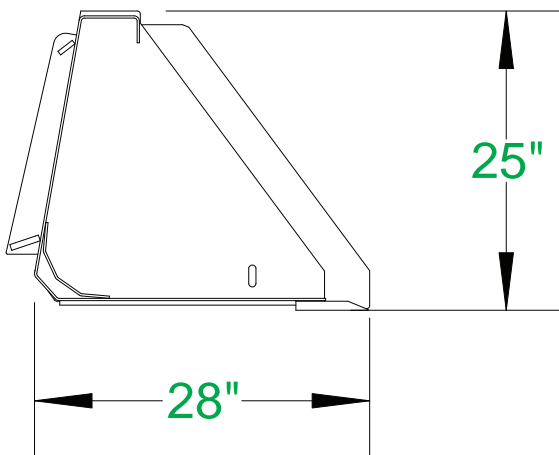


Our tractor buckets are designed with higher backs to prevent material from spilling over. They feature 3/16" sides and a 3/4" x 6" cutting edge. These buckets also come with holes in the sides for mounting a tooth bar and will hookup using universal Skid Steer and many tractor styles quick attach.

Compact Tractor Buckets 45HP and Under

- Higher back to prevent spillage
- Universal Skid Steer and many tractor styles quick attach
- Features 3/16" Sides and a 1/2" x 4" Cutting Edge

Tractor Bucket Specs



Heavy Duty Tractor Buckets 45 - 65 HP

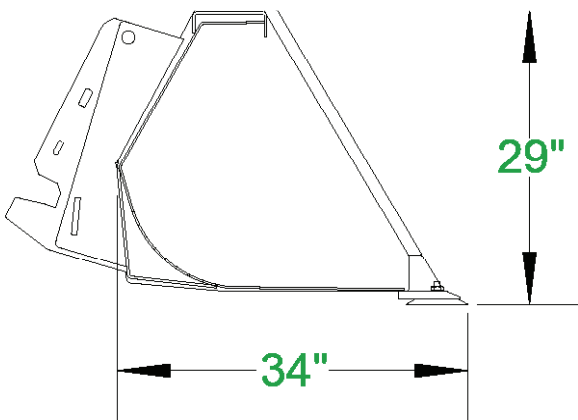
- Higher back to prevent spillage
- Universal Skid Steer and many tractor styles quick attach
- Features 3/16" Sides and a 3/4" x 6" Cutting Edge
- X-treme Duty package offered (1/4" wrap 1" x 8" edge) 1/2" side edge & wear bars



*Green color is not a standard offering.

The X-treme tractor bucket was designed for tractors with horse power of 65+. With a deep floor and a tall back this bucket has an oversized capacity. Rolled back makes for easy cleanout.

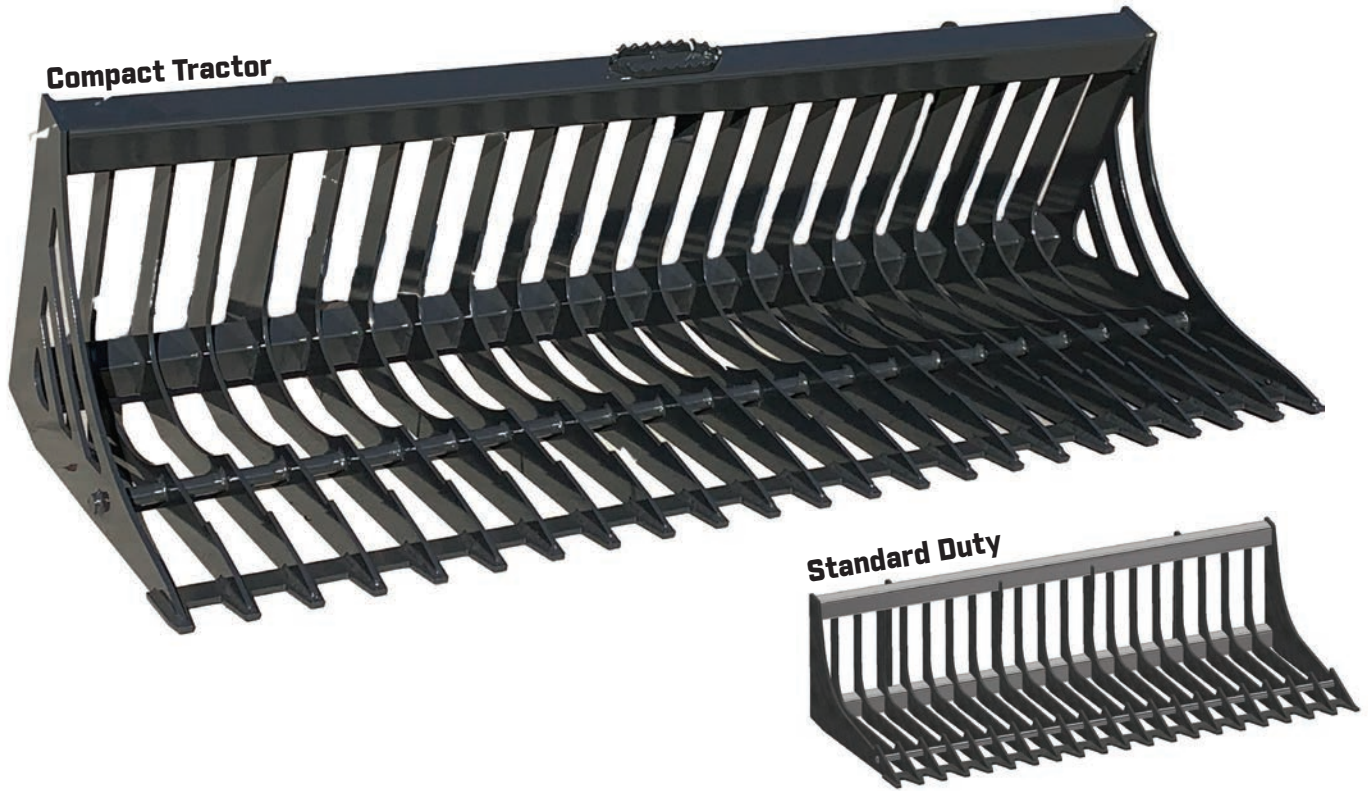
X-treme Tractor Bucket Specs



- Higher back to prevent spillage
- Universal Skid Steer and many tractor styles quick attach
- Features 3/16" Steel Sides and a 3/4" x 6" Cutting Edge
- 1/4" heel plate included
- Optional bolt on edge
- Severe Package offered (1x8 edge, 1/4 wrap & sides)

Rock Bucket

Compact Tractor / Standard Duty



The CID Compact Tractor and Standard Duty Rock Buckets offer a similar design to our X-treme version, but in a stepped down size for smaller machines. Easily sift through loose soil to remove unwanted rock and debris.

Compact Tractor Specifications

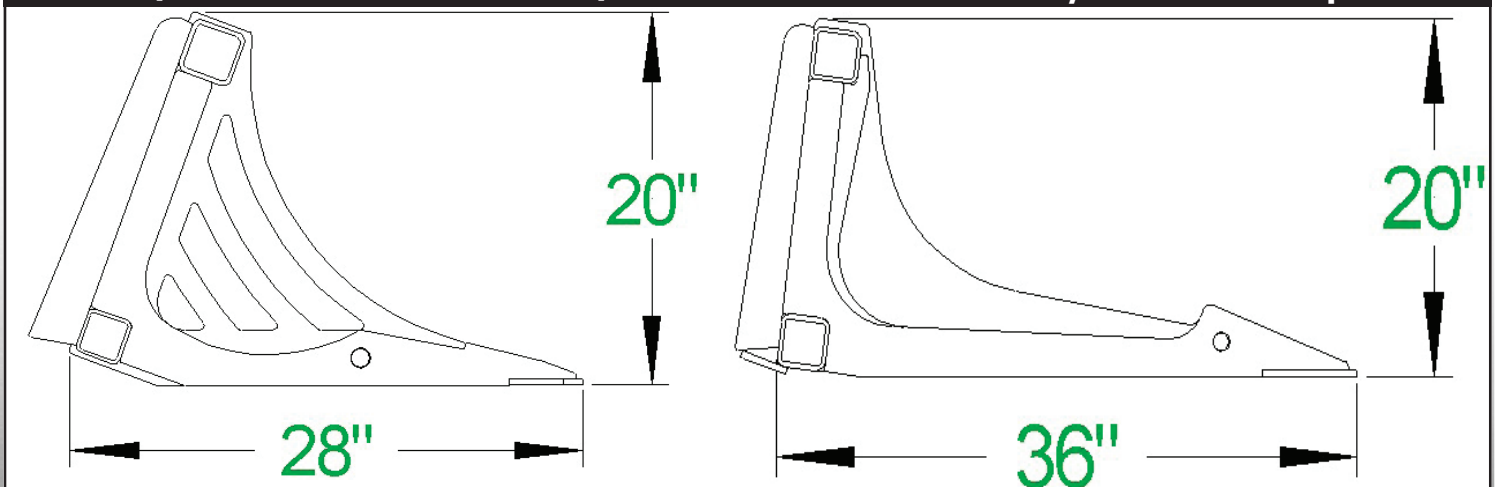
- Compact Tractor: 5/16" tine thickness, 3" spacing
- Compact Tractor rated for machines under 35 HP

Standard Duty Specifications:

- Standard Duty: 3/8" tine thickness, 3" spacing
- Standard Duty rated for machines 35-45 HP

Compact Tractor Rock Bucket Specs

Standard Duty Rock Bucket Specs



Rock Bucket Heavy Duty and X-treme

Heavy Duty



X-Treme



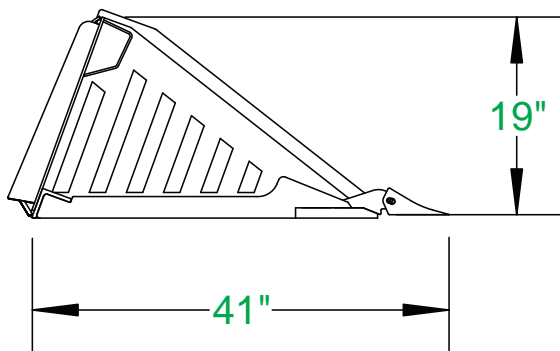
Bigger is better with the CID Heavy Duty and X-treme rock buckets. Our HD version has a welded cutting edge to provide strength and rigidity. Optional teeth are available on the welded edge. The x-treme version has fully welded tines in place of the edge, with dual rods to support the rock dam.



- 3/4 x 6 Cutting edge on Heavy Duty
- Heavy Duty add on options: 3/4"x6" Cutting edge or, weld on teeth.
- 2 3/8" tine spacing on HD
- 3" tine spacing on X-treme
- The X-Treme has added, dual 1 1/4" rods to reinforce the 5" tall rock dam

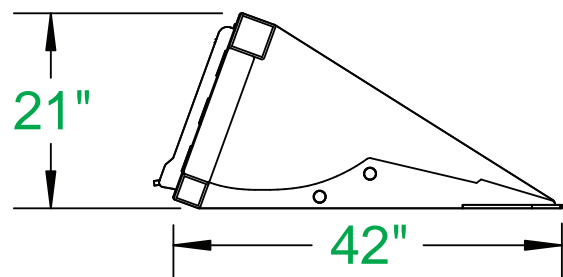
Heavy Duty Rock Bucket Specs

*Weld on teeth shown in specs



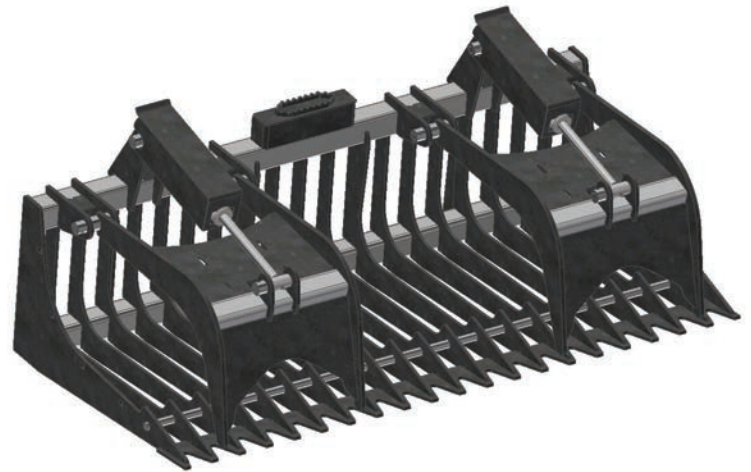
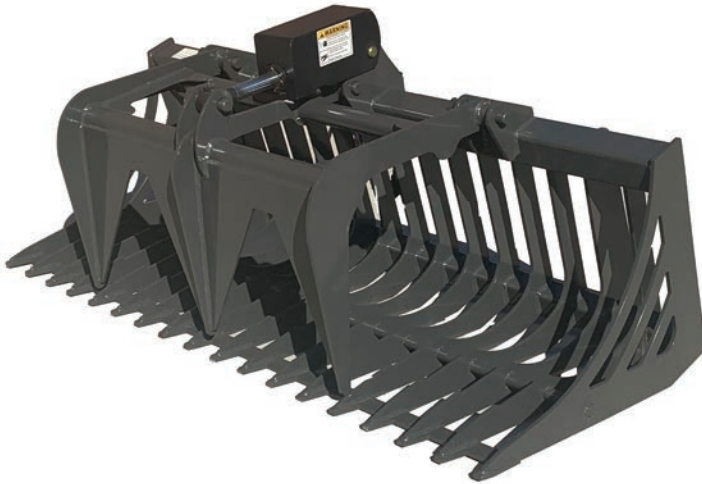
X-treme Rock Bucket Specs

*Cut edge shown in specs



Compact Tractor

Standard Duty

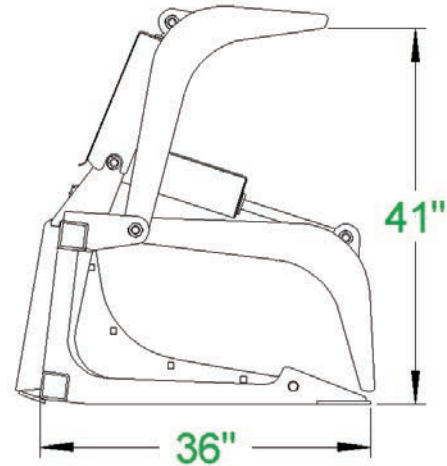
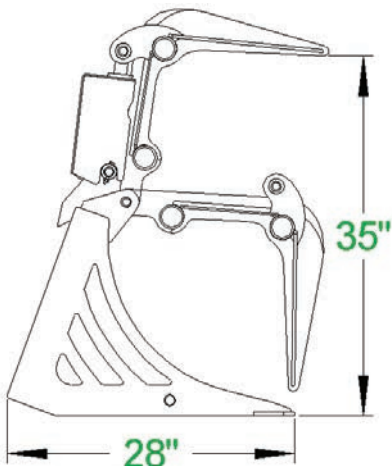


The CID Rock Grapples are great for sifting through dirt in order to remove rocks and debris. Our Compact Tractor Rock Grapple comes with a single grapple, and works with 45 or less HP machines. The Standard Rock Grapple has dual cylinders and works with 45-60 HP machines.

- Features 2" x 10" cylinders
- Compact has 3 1/8" spacing
- Standard has 3 5/8" spacing

Compact Tractor Rock Grapple Specs

Standard Duty Rock Grapple Specs



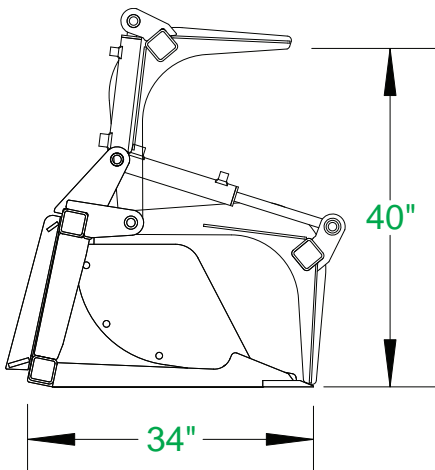
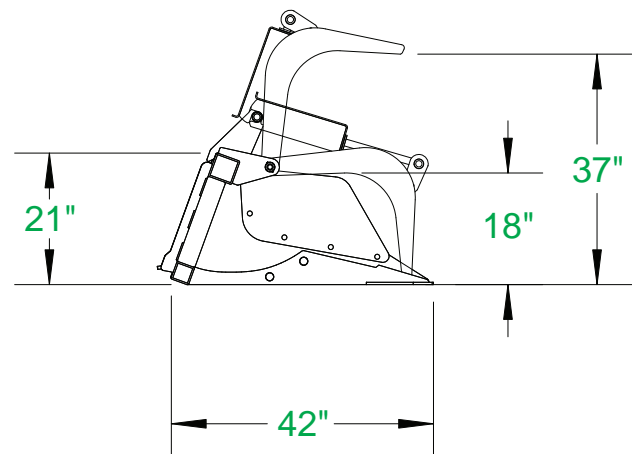
Rock Grapple Heavy Duty and X-treme

Heavy Duty

X-treme Duty


The CID Heavy Duty and X-treme Rock Grapples are great for sifting through dirt in order to remove rocks. The X-treme Grapple has fully welded front teeth, while the HD version uses a 3/4" x 6" cutting edge. This edge will be upgraded to a 1" x 8" when adding the optional teeth. The HD version has tine spacing set at 2 3/8", while the X-treme has 3" spacing. Our top quality 1/2" steel and 5/8" grapple tines provide all the strength you may need for removal of rocks, logs, and brush. Has twin cylinders rated at 4000 PSI.

- HD tines set at 2 3/8" apart
- X-treme tines set at 3" apart
- Bolt on sides included on both models
- Optional Weld on Teeth for the HD model
- 2 x 10 cylinders


Heavy Duty Rock Grapple Specs

X-treme Rock Grapple Specs




TRUSTED ATTACHMENTS

Root Grapples

Our root grapples are a necessity in the tree industry, and for contractors clearing lots for home site building. They are ideal for moving logs, brush, rocks or just about any type of debris, which makes them essential tools for storm damage clean up.

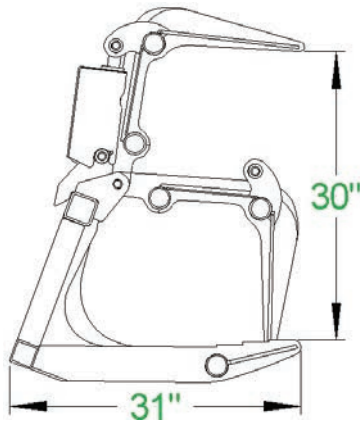
All of our units are built from top quality steel and will exceed the lifting capacity of the skid steer machines they are used on. Our grapples feature independently operated cylinder(s) to adjust uneven loads. They also

feature grease fittings at every pivot point.

One feature that separates our Standard and Heavy Duty Root Grapples from our competitor's attachments is that we offer optional bolt on cylinder rod covers to protect the hydraulic cylinder shafts. Most root grapples only have the actual cylinder enclosed and not the shaft. We give you the option to protect both. Anyone that has had debris fall on the cylinder shaft knows what damage this can cause.

Compact Tractor Root Grapple

Our Compact Tractor Root Grapple is perfect for the compact tractor. These grapples are built strong yet very light weight.

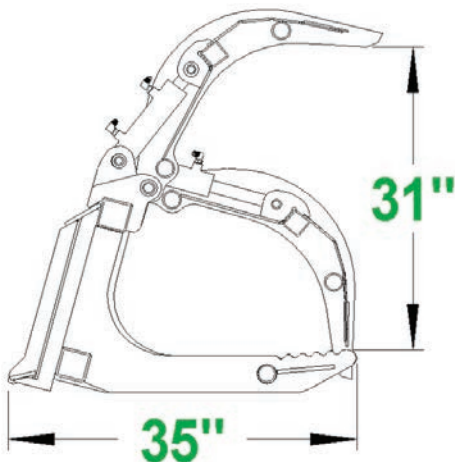


- Rated for under 35 HP
- Designed for compact tractors
- 2" x 10" cylinder

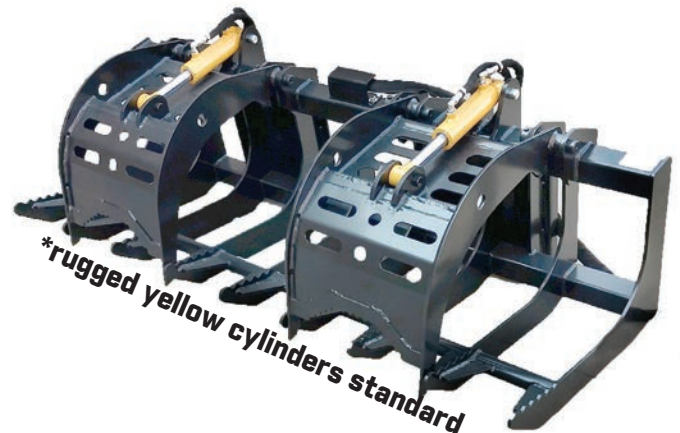


Ultra Root Grapple

The CID Ultra Root Grapple is a more robust version than our compact version. The independent dual grapple design is a step above the compact tractor single grapple.

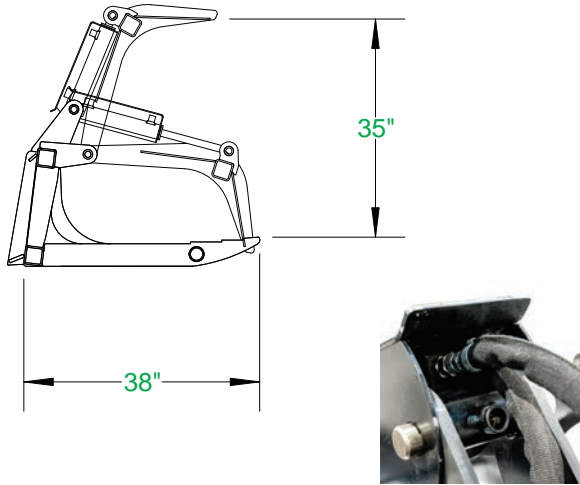


- Rated for 35-50 HP machines
- Protected hoses
- 2 x 4 1/2 cylinder



Standard Duty Root Grapple

Our Standard Duty Grapple is built from 3/8" thick steel plate on the top and bottom, and incorporates 3" square tubing.

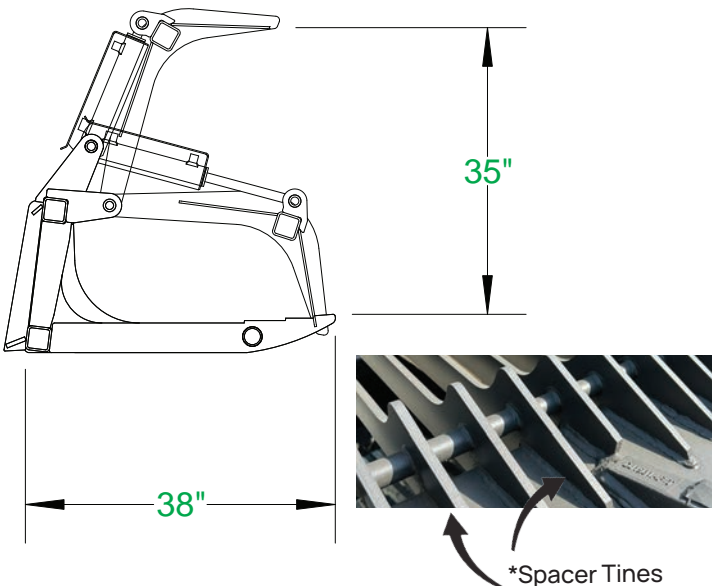


- Rated for 45 HP and under
- 2" x 10" cylinders
- Hydraulic lines routed inside the tubing to prevent tears
- Optional spacer tines

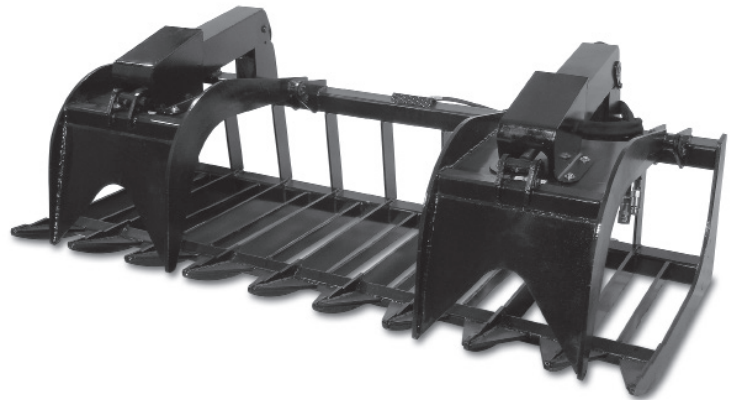


Heavy Duty Root Grapple

Our heavy Duty Grapple is built from 1/2" thick steel plate on the top and bottom, and incorporates 3" square tubing.



- Rated for 45 - 65 HP
- 2" x 10" cylinders
- Hydraulic lines routed inside the tubing to prevent tears
- Optional spacer tines



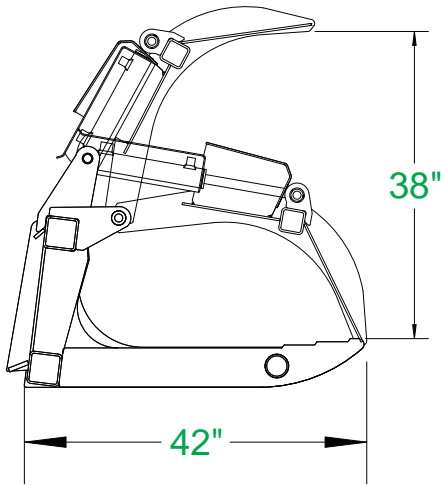
***Picture shown with optional spacer tines and optional bolt on rod cover kit.**

Root Grapples

X-treme Root Grapple

The X-treme Root Grapple is the grapple of choice for those who need an attachment that will hold up in extreme applications. It can handle more material and is more rugged than our other grapples. It's built from 5/8" thick steel plate on the top, 1/2" on bottom, and incorporates 4" square tubing. It also features enclosed hydraulic cylinders and shafts.

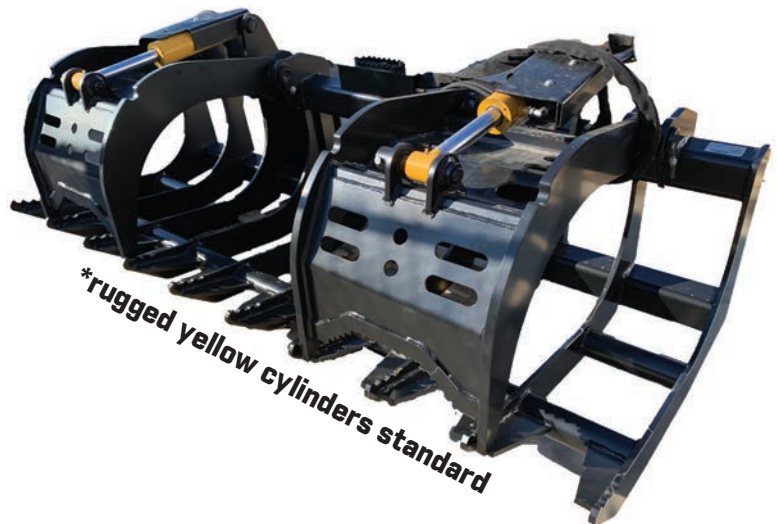
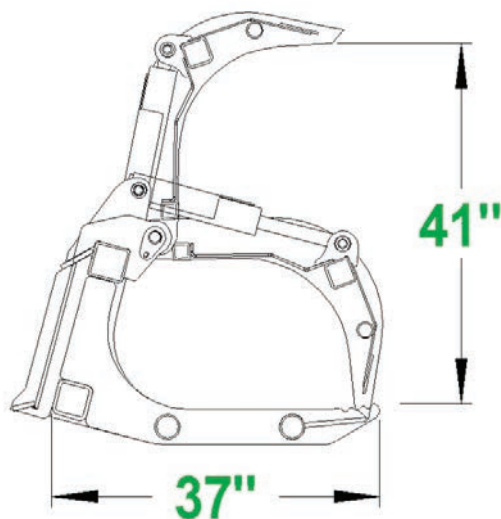
- Rated for 65 HP and above
- 2" x 10" cylinders
- Hydraulic lines routed inside the tubing to prevent tears
- Optional spacer tines



Severe Duty Root Grapple

The CID Severe Root Grapple is ideal for machines over 80 HP that require the strongest root grapple available. It boasts 5/8" continuous bottom tines and 3/4" top tines. Oversized pins and bushings, protected hoses, and cylinders with quality made hydraulics.

- Rated for 80 HP and above
- Oversized pins and bushings
- 5/8" continuous bottom tines
- 3/4" top tines
- 2 3/4" x 8" cylinders



Grapple Rakes Standard / Compact Tractor

Compact Tractor Grapple Rake



***Dual Cylinders pictured**

Standard Grapple Rake

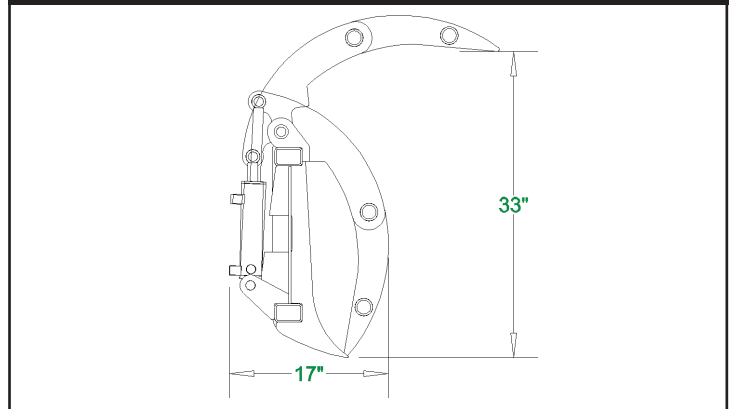


Our Grapple Rakes are ideal for raking and loading debris. The shape of the grapple makes it easy to roll debris into tight places. We use American made cylinders, rated at 4,000 psi, to handle the toughest jobs.

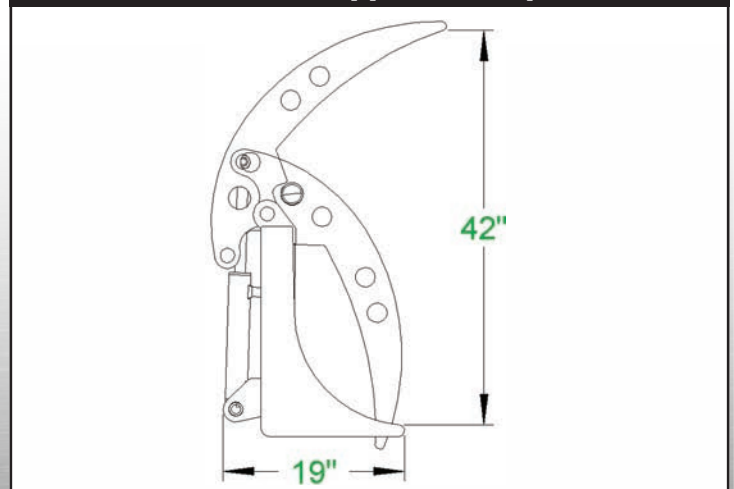
The Compact Tractor Grapple Rake is built heavy enough for rigorous use, but light enough for compact tractors. The Compact version is available in a single cylinder grapple 2x6 or a dual cylinder

Our re-designed Standard Duty Grapple Rakes are constructed from 3/8 AR400 Steel. The new design provides more strength, combined with a lower weight to maximize your grapping power.

Compact Tractor Grapple Rake Specs



Standard Grapple Rake Specs



- Compact Rated for 40 HP
- Standard Rated for 35-60 HP.
- Unique design makes it easy to roll debris into tight piles
- Compact Tractor Dual Cylinder sizes: 60", 66"

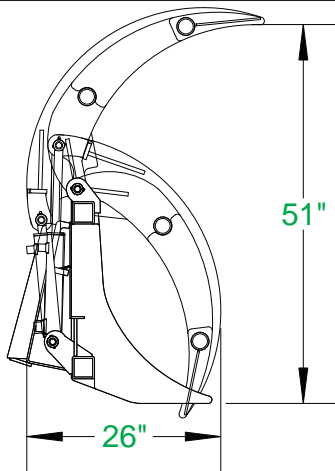
Heavy Duty Grapple Rake



X-treme Grapple Rake

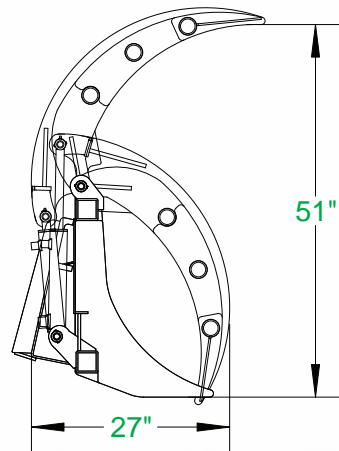


Heavy Duty Grapple Rake Specs

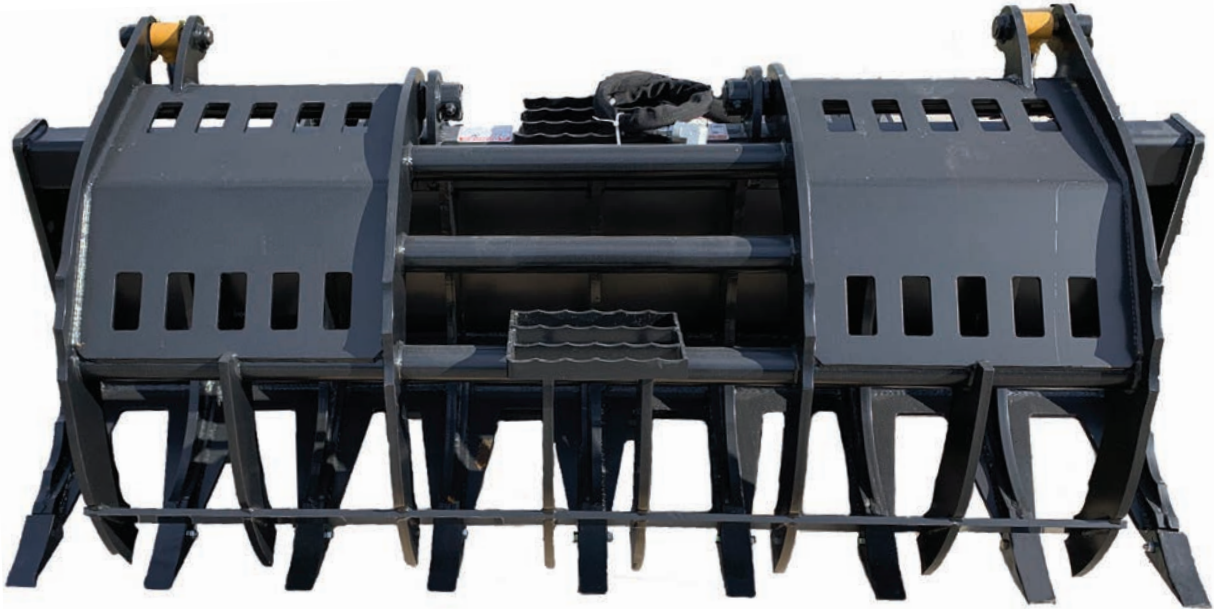


Our Heavy Duty and X-treme Grapple Rakes are ideal for raking up debris. The grapples can then be used to load the debris into a dump truck. The shape of the grapple rake makes it easy to roll debris into tight piles if you are planning to burn. A single grapple or two independent grapples are available. We use twin cylinders rated at 4,000 psi to handle the toughest jobs. Our X-treme Grapple Rakes are built with 1/2" top quality steel and come standard with 23 series teeth. Our HD and X-treme Grapple Rakes have a full 51" opening.

X-treme Grapple Rake Specs



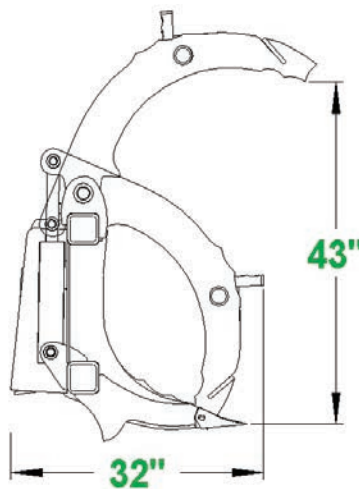
- X-treme rated for 65+ HP
- Heavy Duty rated for 50-70 HP
- Available as a single grapple or two independent grapples
- Twin 2" x 10" cylinders
- Unique design makes it easy to roll debris into tight piles



The CID Severe Grapple Rake is an excellent tool for bigger machines! Rake debris, brush, logs, and anything else you desire. The powerful clamping force will hold material in the most severe conditions. **This is the KING of all grapples! The strongest we offer!**

- 2 3/4 x 8" Cylinders
- Rated for 80 HP +
- Oversized pins and bushings
- Oversized step for ease of entering machine

Severe Grapple Rake Specs



Monster Root Grapple

Monster Grapple Bucket

These are a perfect match for 100 horse power track loaders and telescoping loaders (telehandlers)!!

Monster Root Grapple



* Large Skid-Steer and Telehandler Hookups Available!

Monster Grapple Bucket



The monster root grapple is a perfect match the biggest, baddest rubble you can find. **It is the largest we offer.** Reinforced with extra tubing and pipe, enormous opening and depth and the largest capacity on the market. The **Monster Root Grapple has a 7500 lb clamping force and 3500 psi.**

The monster grapple bucket is a **perfect match for 100 horse power track loaders and telescoping loaders (telehandlers).** Reinforced with extra tubing and ribs, enormous opening, deep floor and has one of the **largest capacity's on the market.**

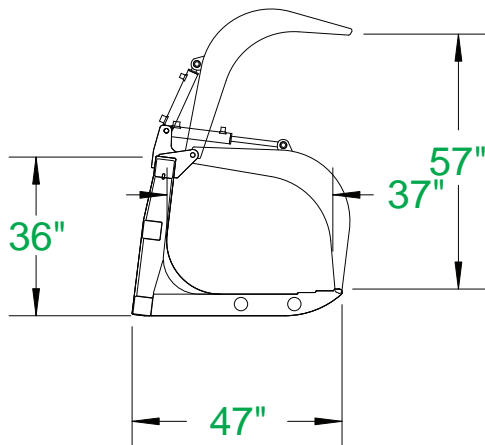
Monster Root Grapple

- Rated for 100 HP
- Largest capacity on the market.
- Cylinder and cylinder shaft protection
- 2 x 10 hydraulic cylinders

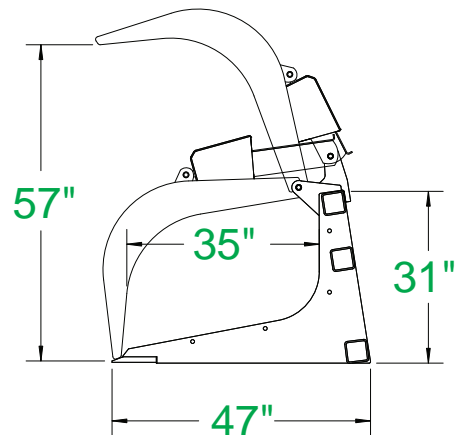
Monster Grapple Bucket

- Rated for 100 HP
- Optional bolt on cutting edge
- Cylinder and cylinder shaft protection
- 2 x 10 hydraulic cylinders

Monster Root Grapple Specs



Monster Grapple Bucket Specs



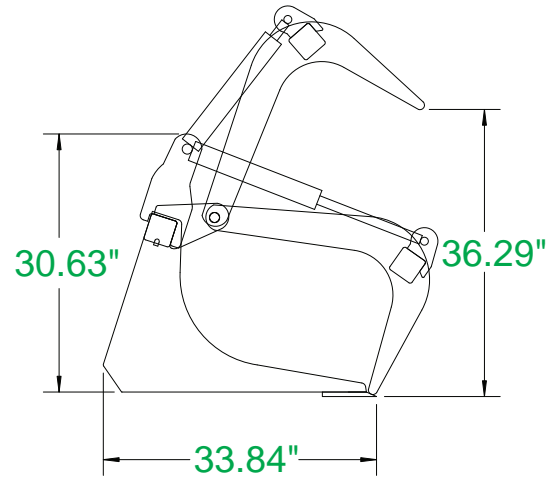
Grapple Buckets



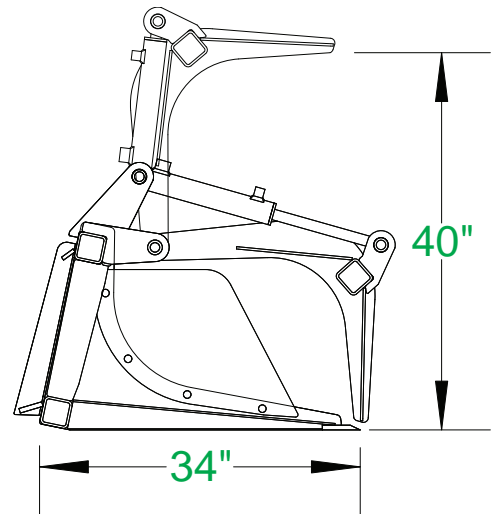
Our Grapple Buckets are very versatile attachments. They're all great choices for anyone who owns a skid steer. Available in a wide range of sizes, they easily pick up logs, rocks, left over building supplies or any other type of debris. They can be used to smooth dirt while clearing and grabbing.

All of our grapple buckets have 2" x 10" cylinders, with all hydraulic lines routed inside the tubing to prevent tears. They are also built with top quality steel, oversized points and bushings, with grease fittings at every pivot point. Every unit exceeds the lifting capacity of the skid steer machine it is attached to.

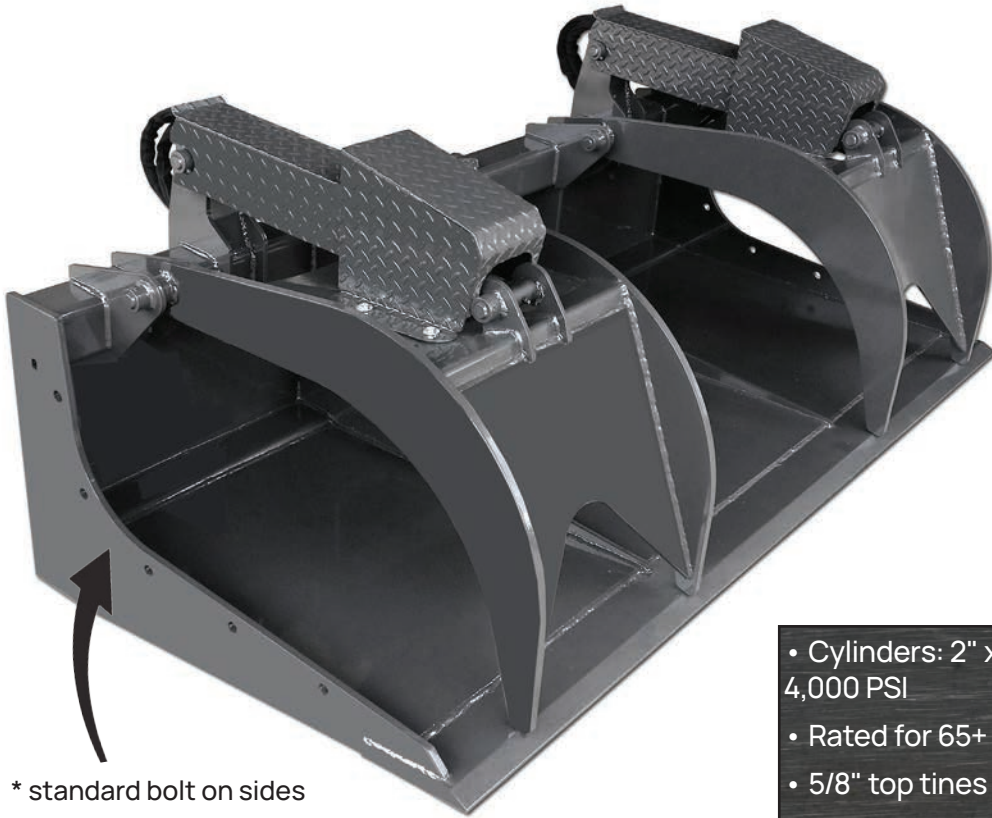
Compact Tractor Grapple Bucket Specs



Standard / Heavy Duty Grapple Bucket Specs



- 2" x 10" cylinder, rated at 4,000 PSI
- Grease fittings at every pivot point
- Optional weld on teeth and bolt on cylinder rod cover kit
- Optional bolt on edge (not pictured)
- Bolt on sides included on HD
- Compact Rated for up to 35 HP
- Standard Rated for up to 45 HP
- Heavy Duty Rated for up to 65 HP



* standard bolt on sides

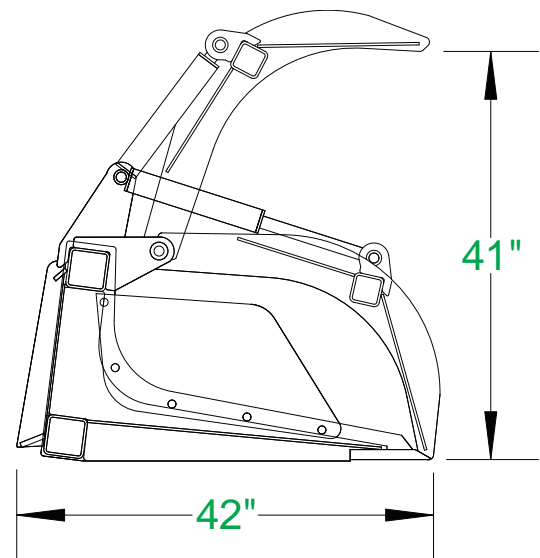
The X-treme Grapple Bucket is ideal for picking up logs, rocks, left over building supplies or any other type of debris. It can handle more material and is intended for larger machines than our Heavy Duty Grapple Bucket.

One feature that separates our X-treme Grapple Bucket from our competitor's comparable attachment is the enclosed hydraulic cylinder shaft. Most grapple buckets only have the actual cylinder enclosed and not the shaft. We protect both! Anyone that has had debris fall on the cylinder shaft knows what damage this can cause.

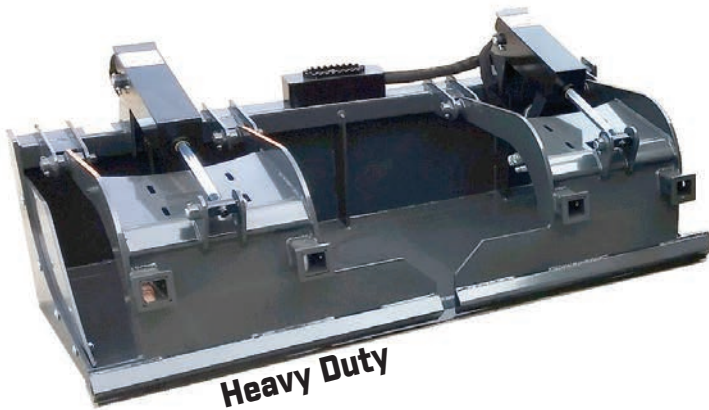
It features two cylinders that operate independently to adjust for uneven loads. The hydraulic lines are routed inside the tubing to prevent tears. It is also built with top quality steel, oversized points and bushings, with grease fittings at every pivot point. The X-treme Grapple Bucket has a 1" x 8" cutting edge. Every unit exceeds the lifting capacity of the skid steer machine it is attached to.

- Cylinders: 2" x 10", independant operation, rated at 4,000 PSI
- Rated for 65+ HP
- 5/8" top tines
- Hydraulic lines on top & routed inside the tubing to prevent tears
- Grease fittings at every pivot point
- Bucket has a 1" x 8" cutting edge
- Optional: Weld on Teeth, Bolt on Edge, Bolt on Sides

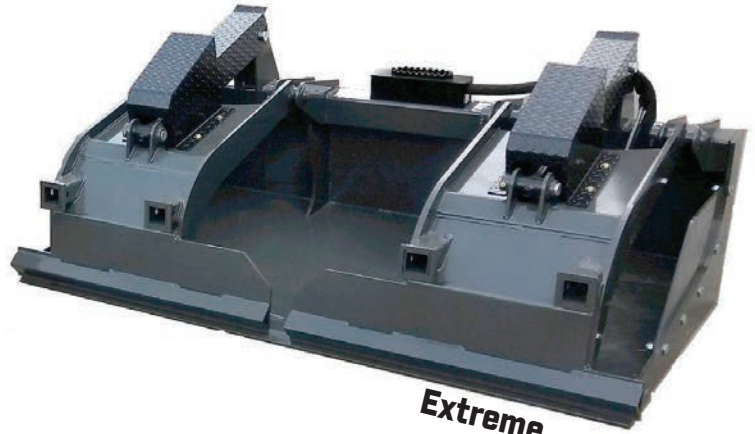
X-treme Grapple Bucket Specs



Demolition Grapple



Heavy Duty

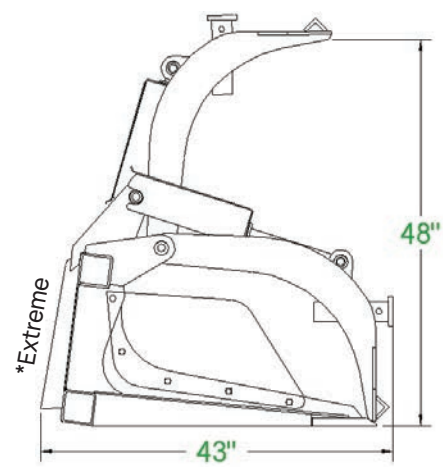
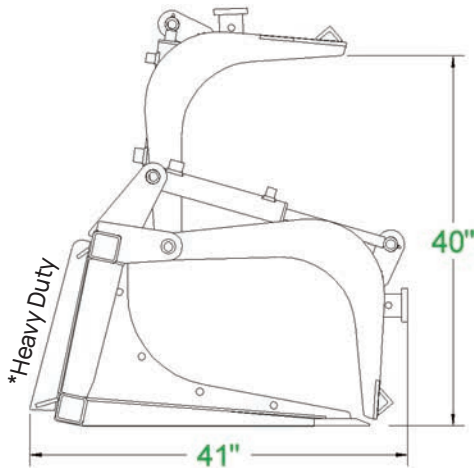
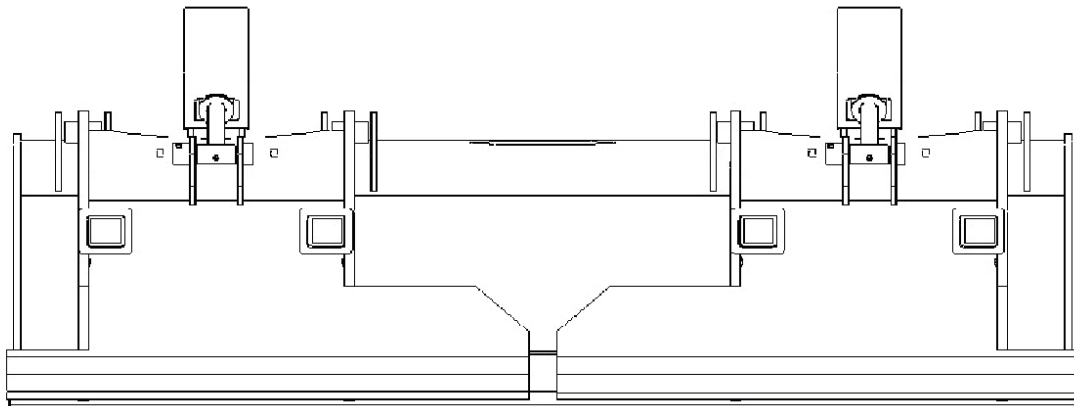


Xtreme

- 2" x 10" cylinder, rated at 4,000 PSI
- HD has 1/2" top tines, XD has 5/8" top tines
- Hydraulic lines routed inside tubing to prevent tears
- Bolt on sides included
- Optional bolt on kit for Heavy Duty, included on Xtreme
- Heavy Duty rated for: 45-65 hp
- Xtreme Duty rated for: 65+ hp

The CID Demolition Grapple combines multiple functions in one unique attachment. The Demolition Grapple replicates the functions of a general purpose bucket, 4-N-1 Bucket, Dozer Blade, Grapple, Clam shell, Log handler, and Demolition Bucket. The Demolition Grapple is also equipped with tool receivers, pre-drilled holes for Bolt on edges, chain hooks with pins, and removable sides.

Demolition Grapple Specs



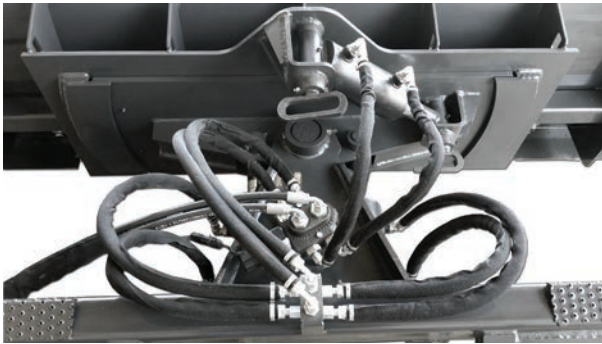


X-treme 4-Way & 6-Way Dozer Blade

TRUSTED ATTACHMENTS

6-way picture shown

4-way picture shown



Our X-treme 4-way and 6-way Dozer Blades are an excellent tool for grading. Easily cut a road, level ground for building, or cut a ditch. The dozer blade comes with an electric over hydraulic valve to operate the tilt function of the blade. Only one set of auxiliary hydraulics are needed.

- Electric over hydraulic valve
- Replaceable cutting edge is available
- 1/4" mold board
- 3-1/2" x 4" cylinders
- 1/2" AR400 edge
- 6-way operates with universal, 7 pin, 8 pin, or 14 pin wiring harness

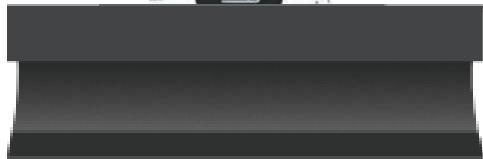
6-WAY EXPLANATION



Horiz. Tilt



Up/Down

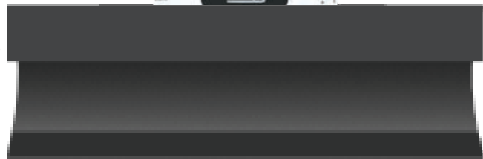


Left/Right Swing

4-WAY EXPLANATION

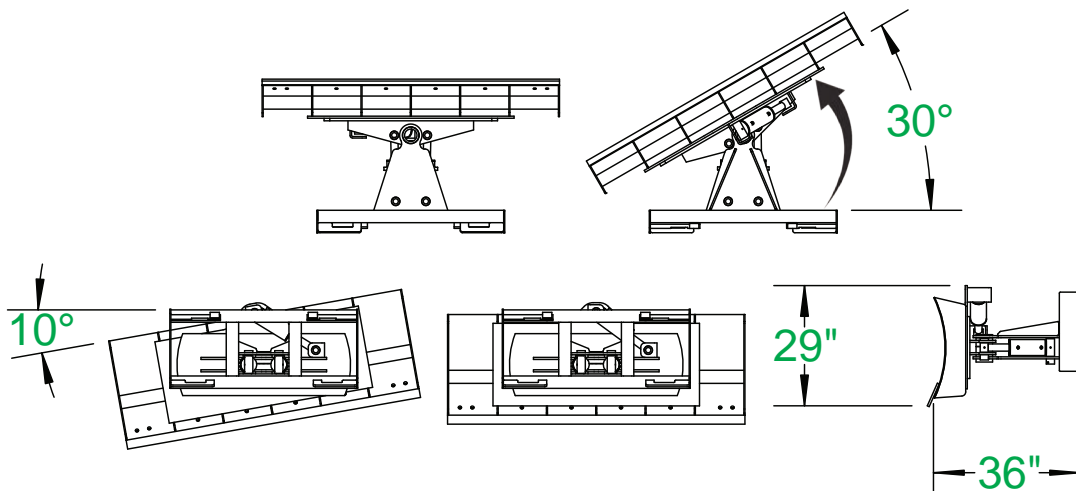


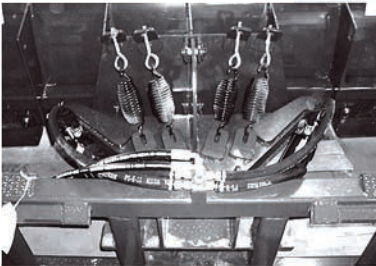
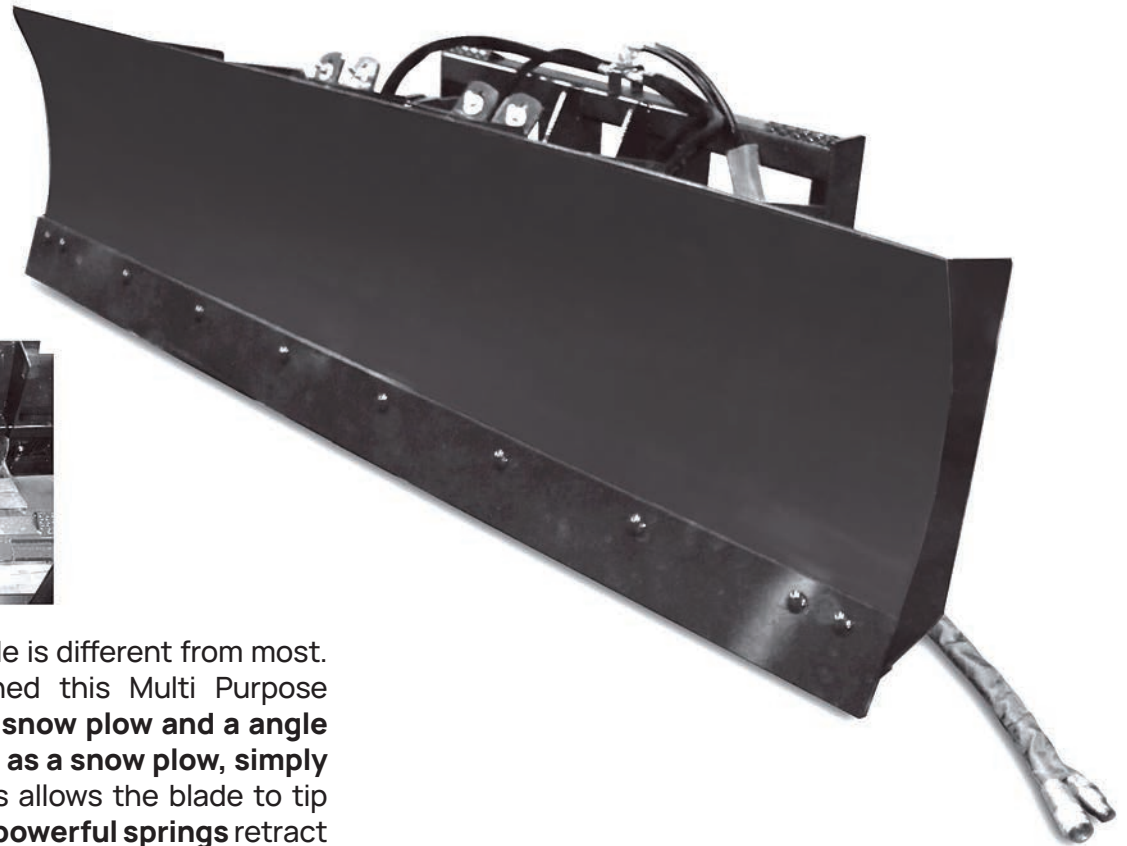
Up/Down



Left/Right Swing

X-treme 6-Way Dozer Blade Specs





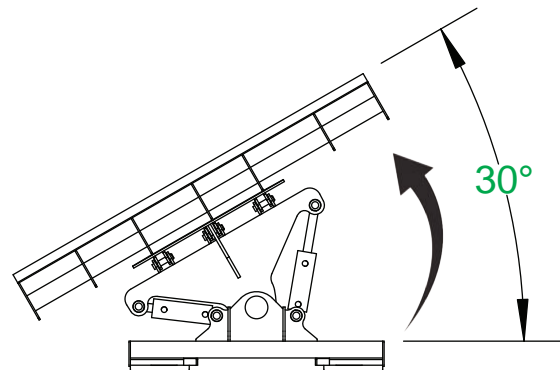
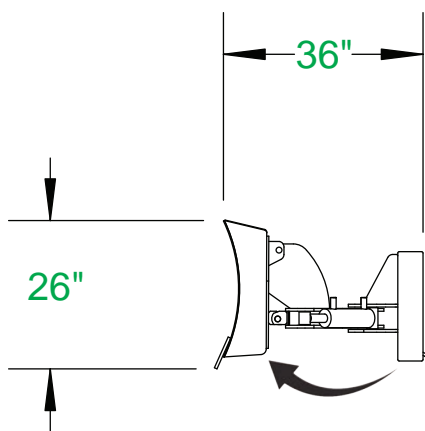
Our Multi Purpose Angle Blade is different from most. Our engineers have designed this Multi Purpose Angle Blade to be **used as a snow plow and a angle blade with ease. To use this as a snow plow, simply remove the center pin.** This allows the blade to tip when hitting something. Our **powerful springs** retract the blade into position as soon as the object is cleared.

To use as an angle blade, leave the **center pins** in, and you are ready to move some earth. This is a 4 way dozer blade, up and down from your skid steer, and side to side from the attachment.

Our plows have 1/2" thick 6" wide replaceable bolt on cutting edges. The blade comes with two 3"x 6" cylinders, couplings, and hoses so the attachment is ready to use when it is received.

- Operates as a snow plow or dozer blade
- Constructed with 1/2" thick by 6" wide replaceable AR400 bolt on cutting edges
- 3" x 6" cylinders
- 3/16" mold board
- Removable Center Pin

Multi Purpose Angle Blade Specs



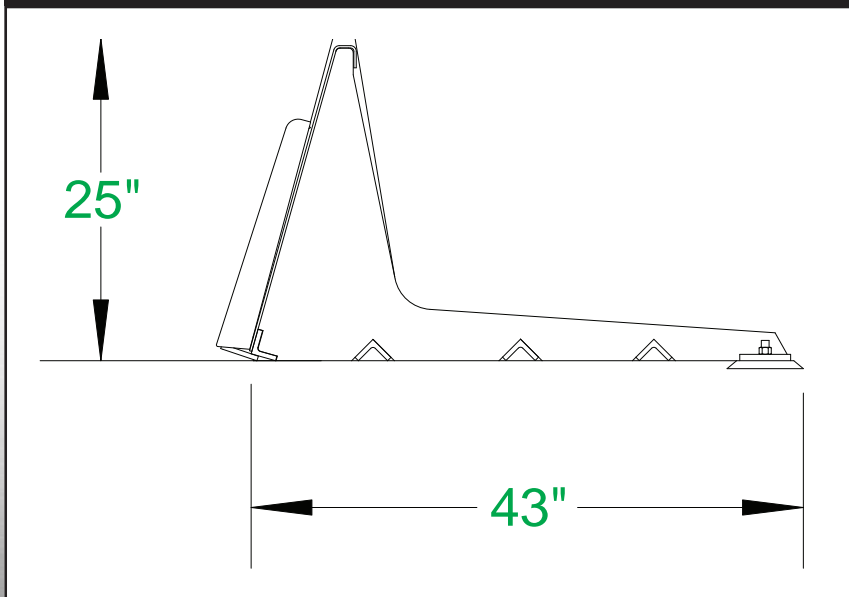


• Replacable edge standard



Our land leveler are available in 72", 78", and 84" widths and are used to cultivate, grade, cut, and mainly level land. This attachment is not designed to transfer large amounts of dirt. The land leveler is specifically used for leveling jobs such as dirt roads and gravel driveways.

Land Leveler Specs





CID

X-Treme Ripper/ Box Scrape Ripper

TRUSTED ATTACHMENTS

X-Treme Ripper

Our Ripper is great for ground penetration. Easily prep a garden or till up some land with the ripper. The tines are adjustable for more or less ground penetration.



Box Scrape Ripper

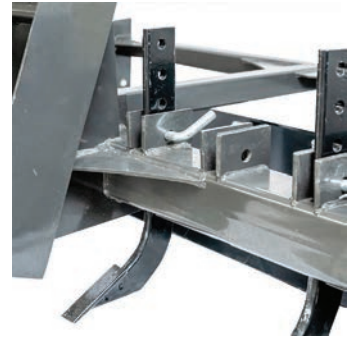
Our Box Scrape Ripper is perfect for reconditioning gravel roads and driveways. The rippers will resurface the buried gravel and the cutting edges will smooth out and level the gravel. You can drive forward or backwards, simply remove the rippers and rotate



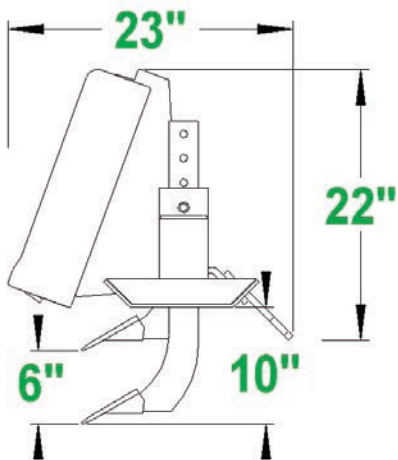
- Adjustable, Replacable Tines
- Optional finishing rake



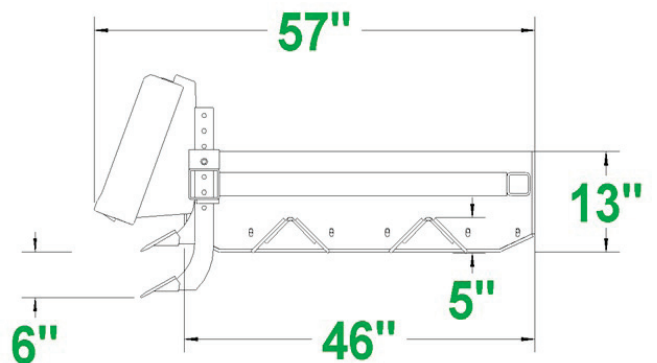
- Replaceable cutting edges
- Replaceable, Tines and ripper shanks

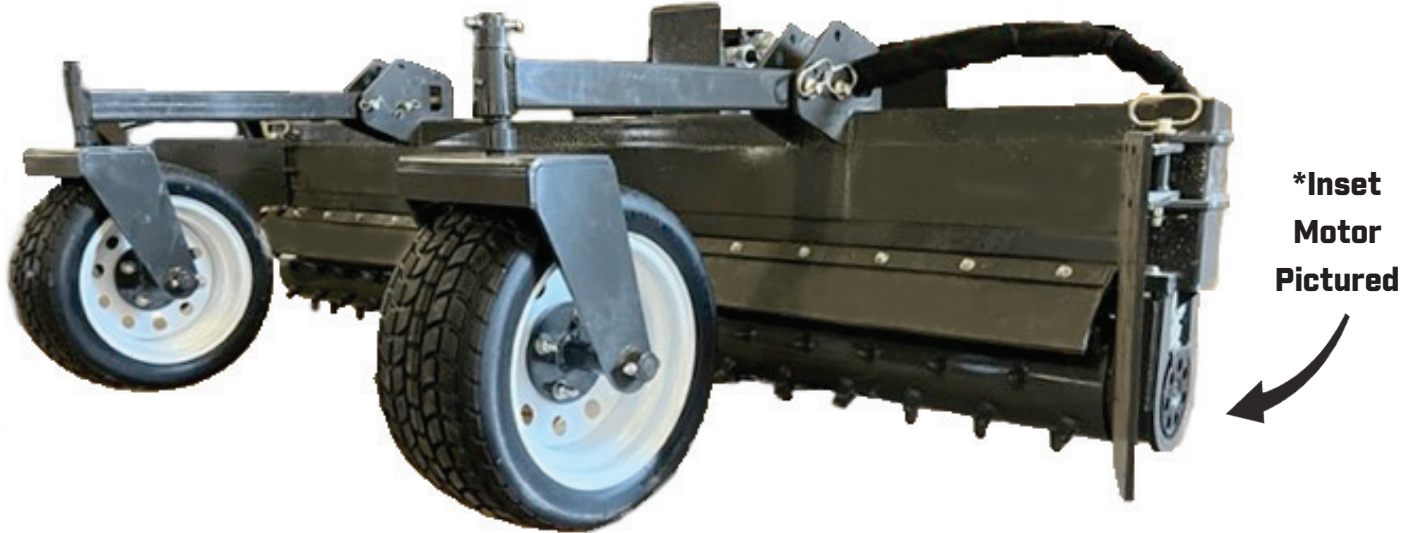


Ripper Specs



Box Scrape Ripper Specs

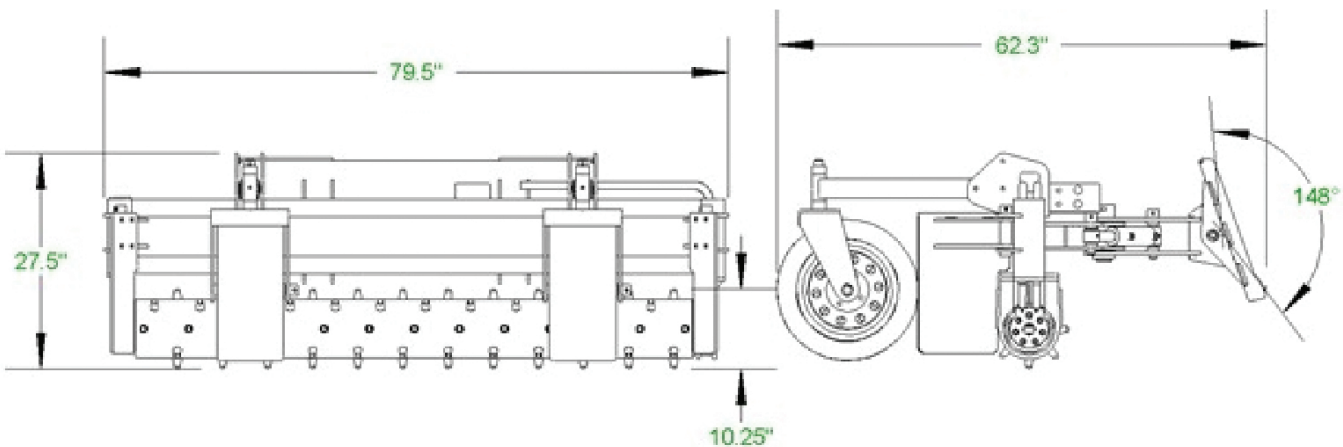




The CID X-treme Power Rake provides a versatile tool for your skid steer attachments, in a manual or hydraulic version. The X-treme Power Rake will provide the proper preparation of seedbed grading, leveling and re-conditioning of multiple surfaces. The X-treme Power Rake uses a 15-25 GPM motor inset within the drum. This unique feature ensures the motor does not extend past the width of the rake, eliminating damage to the motor due to accidental collisions. The Xtreme Power Rake's bi-directional drum features carbide teeth and removeable side plates. The floating design ensures the rake will remain level during operation.

- Rated for 15-25 GPM
- Inset Direct Drive Motor
- Bi-directional Drum
- Drum uses Carbide Teeth
- Removeable Side Plates
- Solid Foam-filled Tires
- Hydraulic or Manual Angle
- Front/Back Debris Curtain
- Available in 72" or 90"

X-treme Power Rake Specs



Multi-Purpose Power Rake



***Inset
Motor
Pictured**

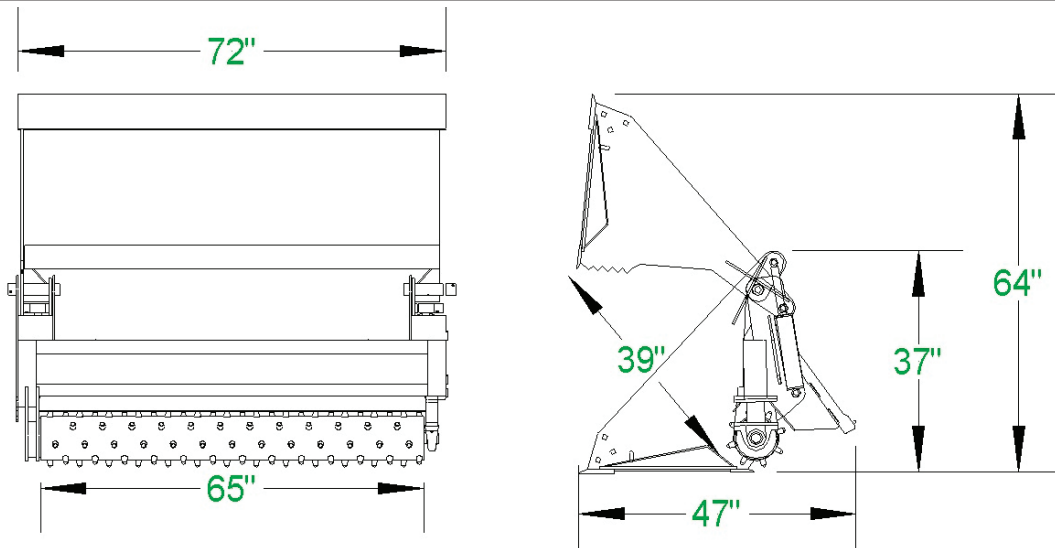


***Optional**

The CID Multi-Purpose Power Rake is an innovative landscape tool that combines a 4N1 bucket along with a power rake. No longer will you have to change attachments to finish preparing the soil bed. You can now use your rake for back dragging, digging, and grappling. Offered in various widths and sizes for full size machines to mini skid steer. The Multi-Purpose Power Rake comes stock with a smooth edge, with the option for a Bolt on Edge or welded teeth.

- Dual 2-1/2 x 8" cylinders
- 1-1/4" Pivot pins
- Carbide roller tips
- 7-1/2" diameter drum (10-1/4" tip to tip)
- Side cutters standard
- Direct drive motor
- Flow Rate of 15-25 GPM Required
- Available with universal, 7 pin, 8 pin, or 14 pin wiring harness
- Optional Bolt on Edge, Welded Teeth, or Side Cutters

Multi-Purpose Power Rake Specs





X-treme

*X-Treme not pictured

Severe

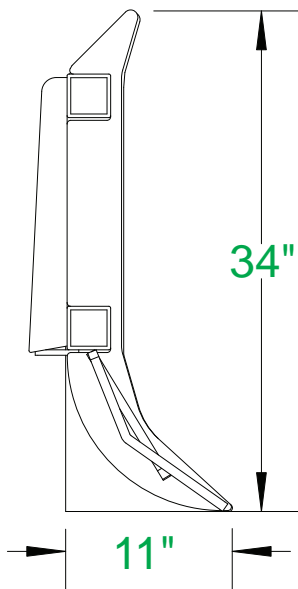
* Severe is pictured

Quick Specs:

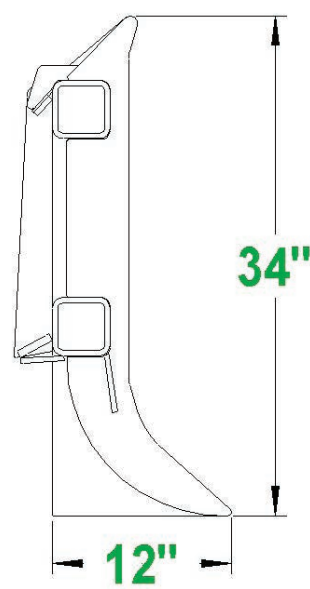
- Excellent for rolling debris into tight piles
- Tines spaced on 6" centers
- X-treme Tines 5/8" thickness
- Severe Tines AR400 3/4" thickness

The CID Root Rake is excellent for rolling debris into tight piles for easy burning. It will easily remove large rocks, roots, and other objects on or below the surface. The X-treme Version features top quality 5/8" Steel Tines placed on 6" centers, rated for machines with a horsepower of less than 75. The Severe version features 3/4" AR400 tines placed on 6" centers, rated for machines with a horsepower of 75 or higher.

X-treme Root Rake Specs



Severe Root Rake Specs



Low Flow

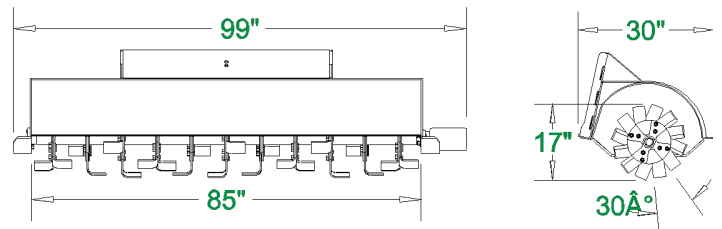


High Flow

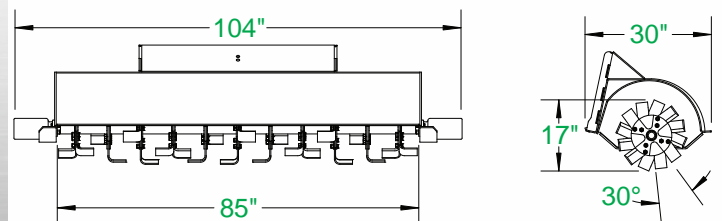


The X-treme Rotary Tiller is a perfect attachment for tilling gardens and small fields. It's also great for deer hunters to use to make food plots. This tiller has a bi-directional rotation and can till ground up to 6" deep. CID offers two flow ranges and sizes: Our low flow single motor tiller runs a range of 14-20 GPM, available in a 72" width, and our high flow tiller with a dual motor system runs a range of 20-40 GPM, and is available in a 72" and 84"

X-treme Low Flow Rotary Tiller Specs



X-treme High Flow Rotary Tiller Specs



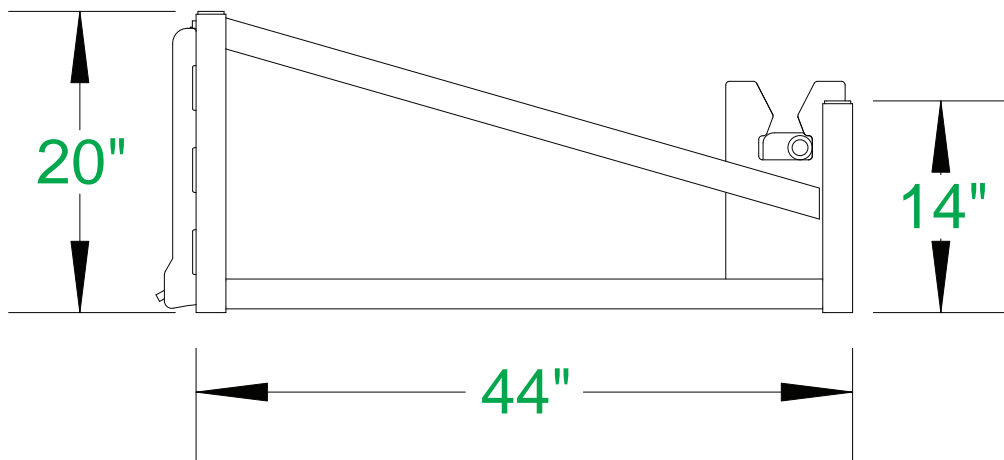
- Bolt on replaceable tines
- 1/4" plate, rolled housing
- 3/8" sides with 3/8" thick shoes
- Low Flow rated for 14-20 gpm. Single parker motor with internal relief valve
- High Flow rated for 20-40 gpm. Dual parker motors with internal relief valves and 3/4" machine hose



This attachment is used to assist in laying down rolls of sod. It is an essential tool for those doing lawn renovations and new home construction.

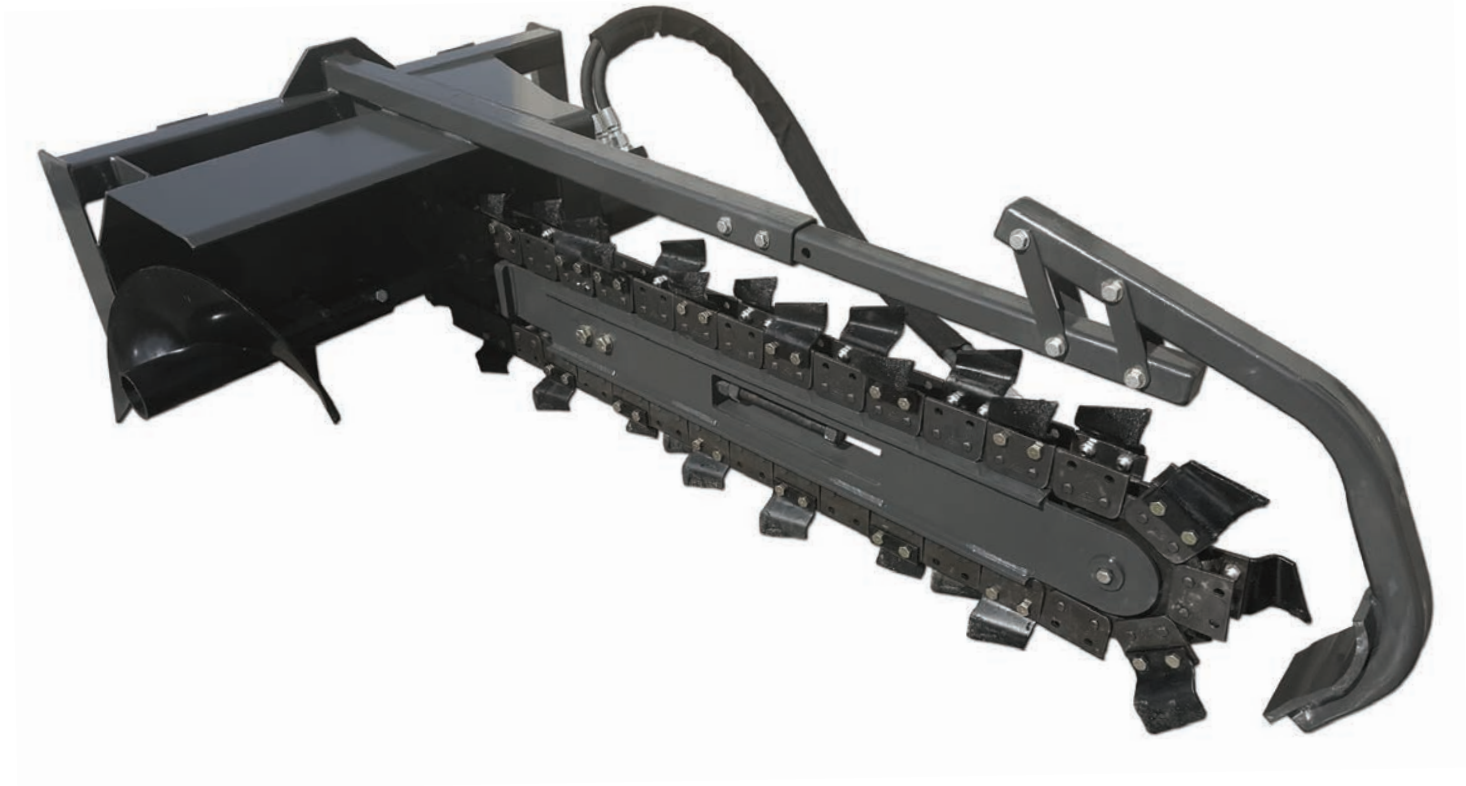
Its simple design requires no hydraulics whatsoever. The strong tubular frame handles rolls of sod up to 48" wide and 60" in diameter, and requires fiber or plastic cored rolls.

Sod Roller Specs

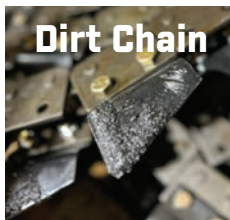


X-treme Skid Steer Trencher

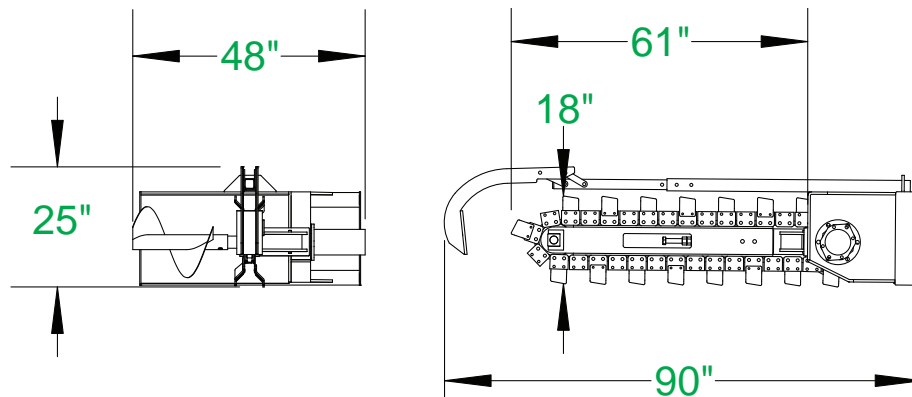
Our X-treme Trencher is ideal for trenching water lines and cable lines in a timely manner. With a dirt chain, 1/2 rock & frost or full rock & frost we are sure to have a chain to fit your trenching needs. We offer 2 arm sizes for different digging depths.



- Different chain widths, 36" or 48" lengths
- 15-20 & 20-30 GPM
- 15" auger



X-treme Trencher Specs





TRUSTED ATTACHMENTS

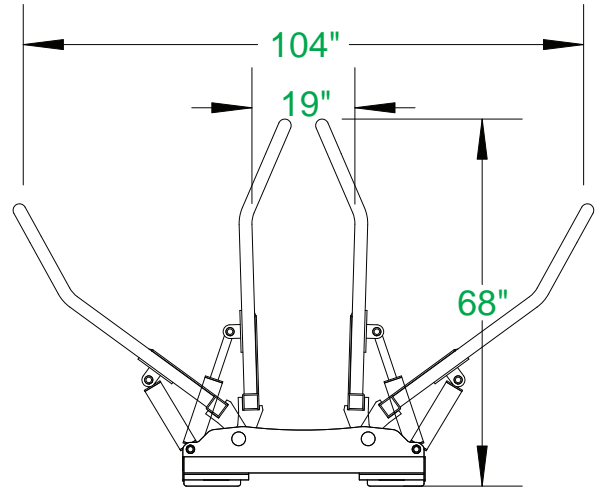
Hay Bale Equipment

X-treme Bale Squeezer

Our X-treme Bale Squeezer is great for anyone moving and stacking large quantities of hay. It features twin 2 1/2" x 8" cylinders with a holding capacity of 2,800 lbs. This attachment can also stack two bales at a time and handles 4, 5 or 6 foot bales.



- Twin 2 1/2X8 Cylinders
- 2800Lb Holding Capacity
- Will Lift 4', 5', And 6' Bales

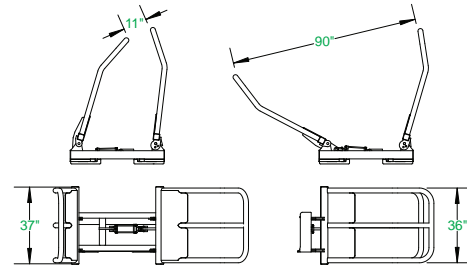


Heavy Duty Bale Squeezer

Easily grab and transport round bales with our heavy duty bale squeezer. You can pick up bales sitting flat or on their side. The tubular design allows wrapped bales to be transported without tearing the plastic. The single cylinder design allows this attachment



- Pick up bales sitting flat or on their side
- Single cylinder
- Very economical
- 65 hp and under

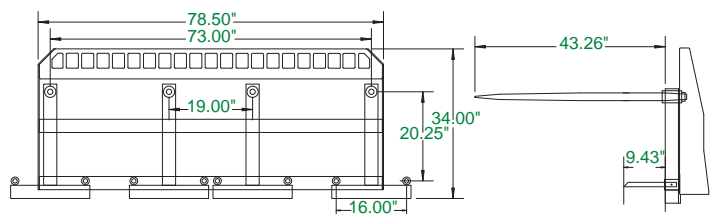


Double Adjustable Bale Spear

Our Double Adjustable Bale Spear is very useful around the farm. It can be adjusted to pick up 2, 4, 5, and 6 foot bales of hay, and is rated at 2,800 lbs. per spear.



- 2800Lb lifting capacity
- Designed to pick up 2- 4', 5', and 6' bales
- Spears are adjustable



Hay Spears

Our Hay Spear is an excellent piece of equipment to have on the farm. Easily move bales of hay with a quick hook up on your skid steer or tractor. The Hay Spear is rated at 2,800 lbs. **The Double Hay Spear has three spear spacing options to pick from; 32", 36", or 40". You must choose one.** The selection will be a fixed spacing, non-adjustable.

- 2,800 lb weight rating
- Euro style and John Deere mounts are available
- Spear length 49" overall

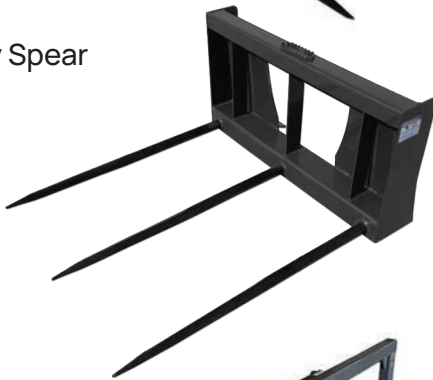
Single Hay Spear



Double Hay Spear



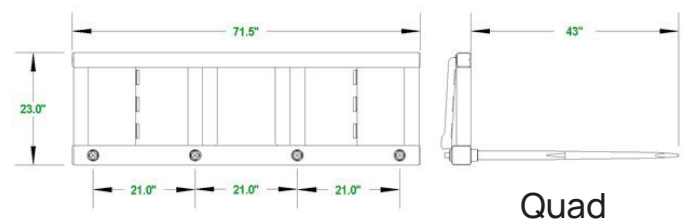
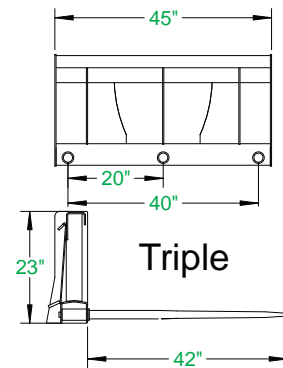
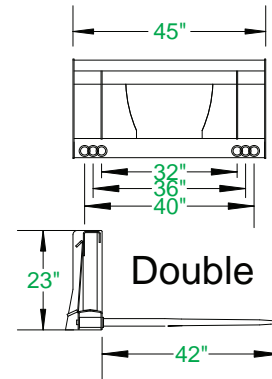
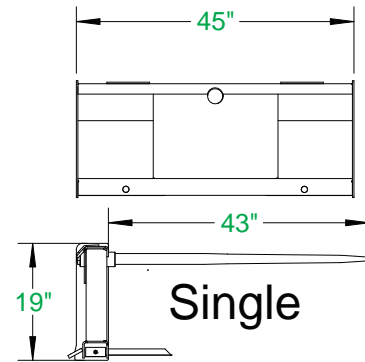
Triple Hay Spear



Quadruple Hay



Hay Spear Specs



High Back Hay Spears

Single High Back Hay Spear



Double High Back Hay Spear



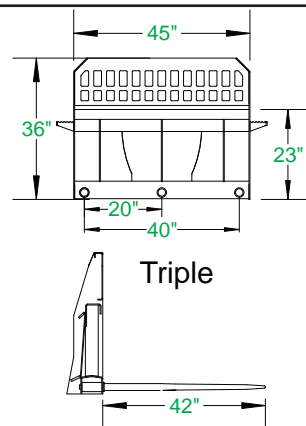
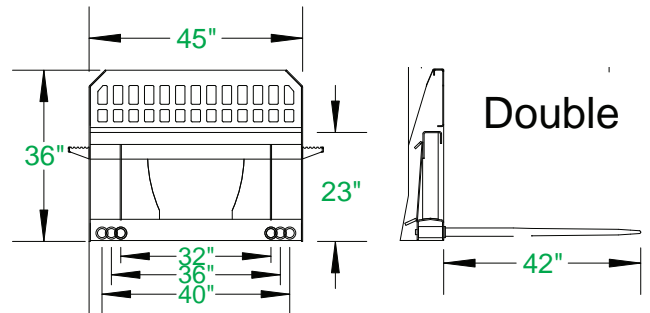
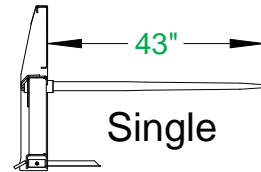
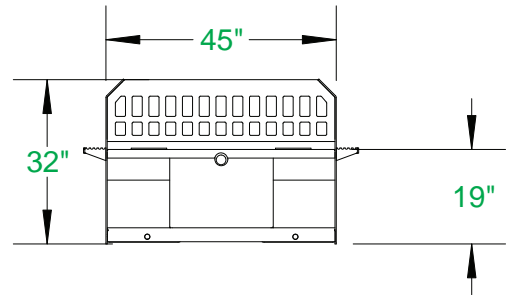
Triple High Back Hay Spear



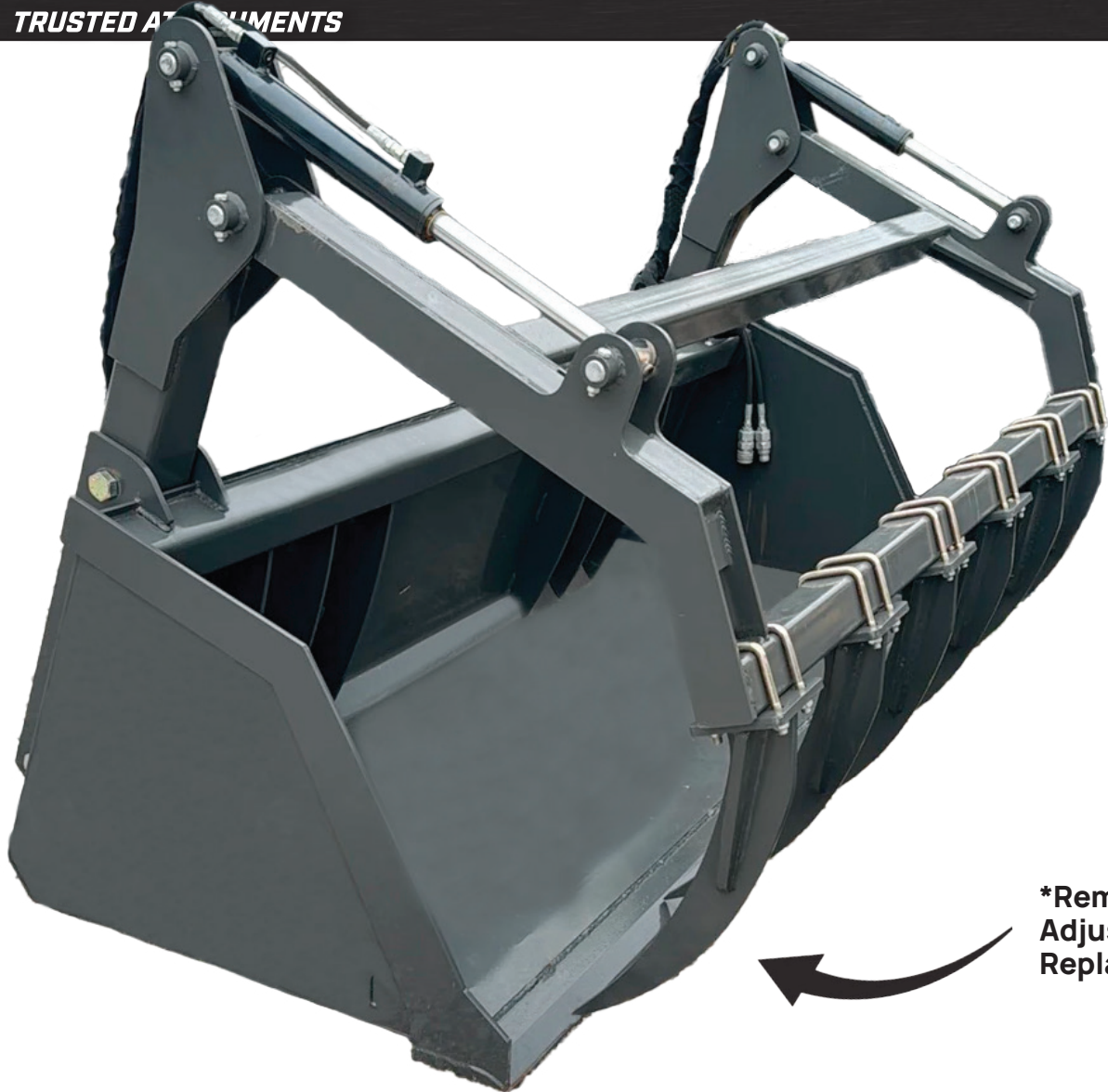
Our High Back Hay Spear is designed to increase your leverage and safety when rolling the bales back towards the cab. **The Double Hay Spear has three spear spacing options to pick from; 32", 36", or 40". You must choose one.** The selection will be a fixed spacing, non-adjustable. Hay Spears easily move bales of hay with a quick hook up on your skid steer or tractor.

- 2,800 lb weight rating
- Euro Style and John Deere mounts are available
- High back increases leverage and safety

Hay Spear Specs



Hay Grapple Bucket

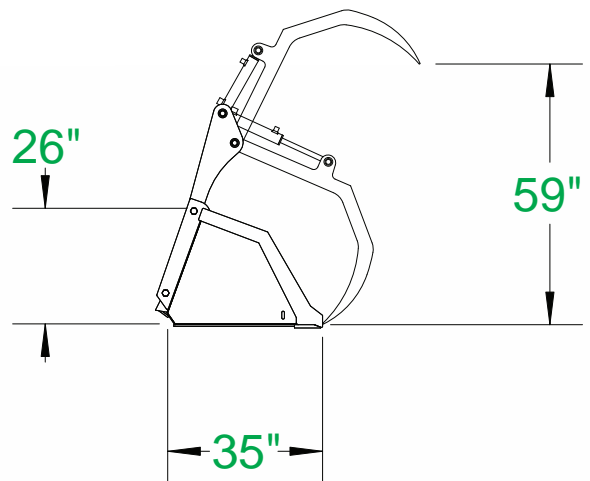


*Removable,
Adjustable, &
Replacable

Our Hay Grapple Bucket is a large capacity bucket with a grapple. Used for gathering broken bales of hay, straw, silage and other light material. .

- 1/4 wrap , 3/4 x 6 cutting edge
- 2 x 10 cylinders Grease fittings at every hinge point
- Optional bolt on edge

Hay Grapple Bucket Specs



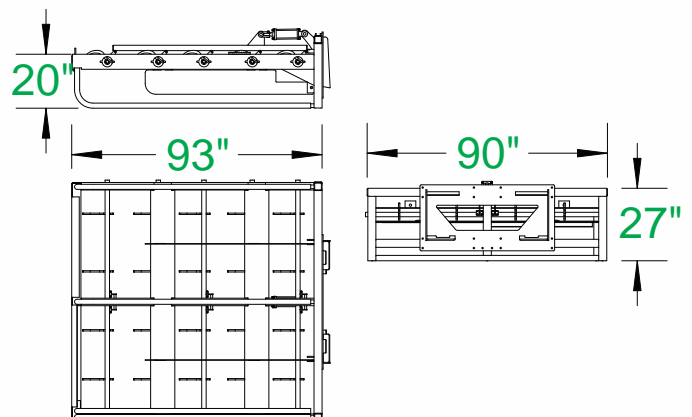


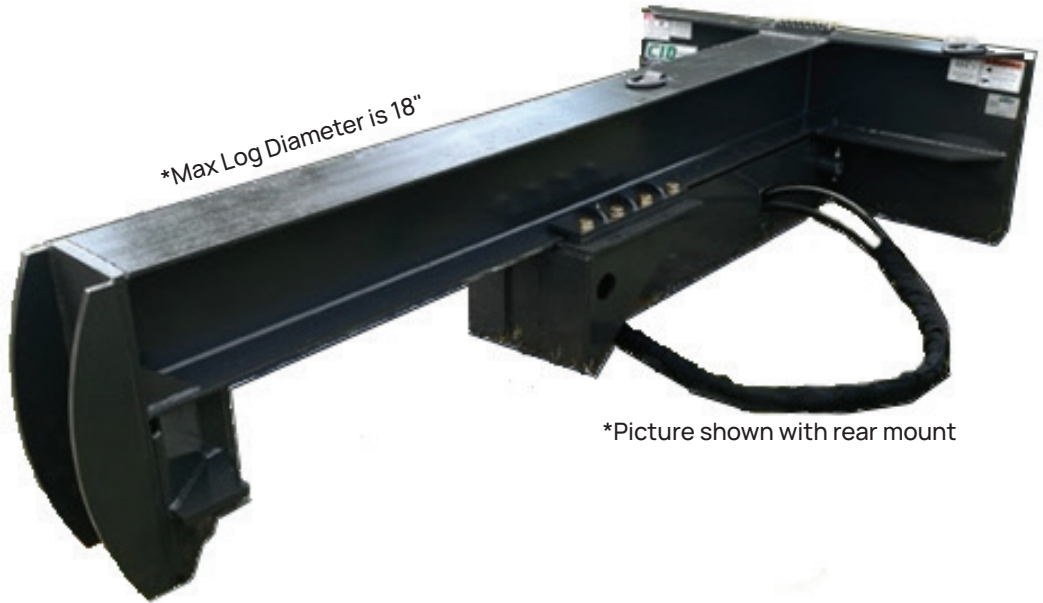
Removable!

The Accumulator Grapple allows one man and a skid steer to gather 8 to 10 square bales, grapple them, lift and off load to a trailer. No need for multiple pieces of equipment, this is all operated from inside the skid steer using the Accumulator Grapple.

- 2 x 6 cylinder
- 9" grapple hooks
- Radial bearings
- 10 bale capacity
- Removable sides for easy storage, unloading, and versatile movement.

Hay Accumulator Grapple Specs

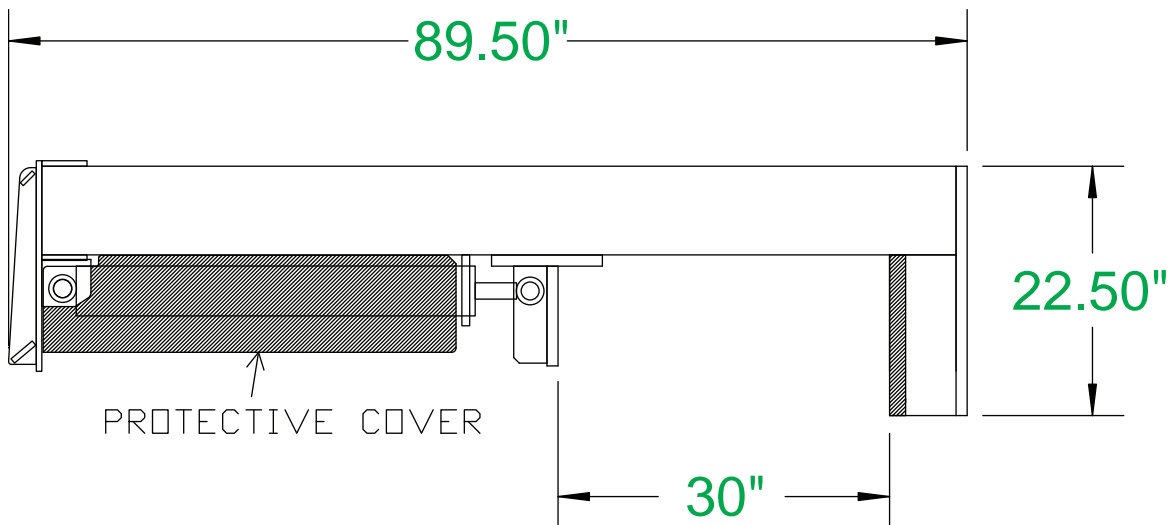




- 40 ton 5" x 30" cylinder
- 10" I beam
- Two quick attach positions available
- Removable Cutting Heads
- Optional 4-way head

The CID Log Splitter operates from inside your cab. Simply maneuver the splitter over the log and activate the auxiliary hydraulics to split the log. Logs can also be picked up and placed with these splitters. Rear mount or side mount available for quick attach.

40 Ton Inverted Log Splitter Specs



X-treme Manure Forks

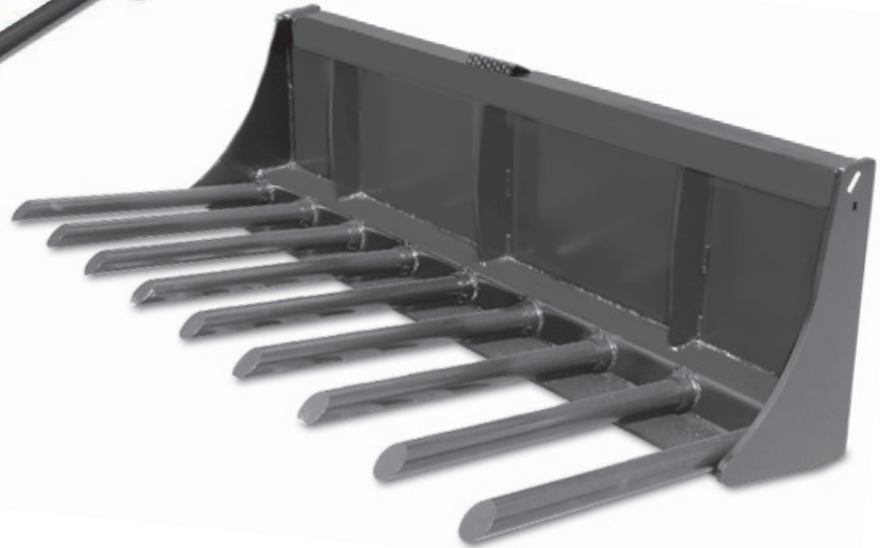
Compact Tractor Manure Forks

These forks are useful for manure and general pick up of materials when you only want to pick up the item and not the soil around it. The tines slide in through the front and are pinned from the rear.

Compact Tractor Manure Fork



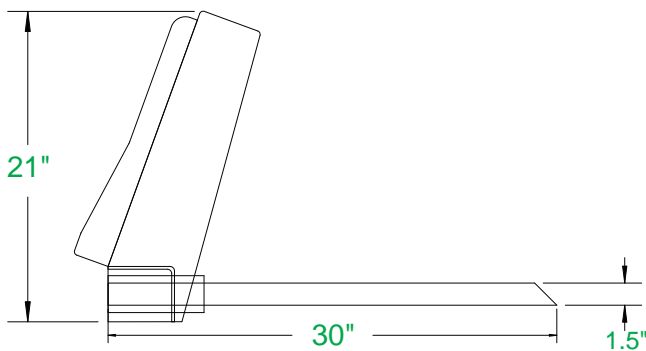
X-treme Manure Fork



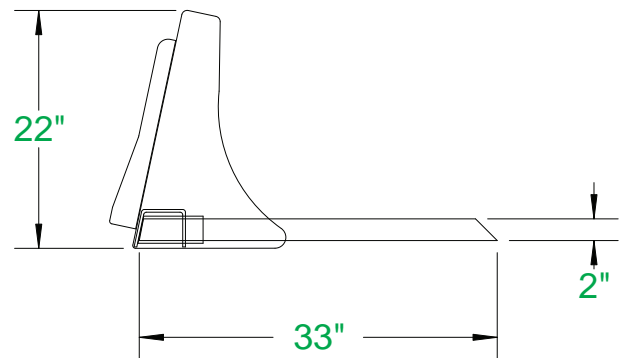
- Rated for under 55 HP
- 1-1/2" cold rolled steel tines

- Rated for above 55 HP
- Strong 2" cold rolled steel tines

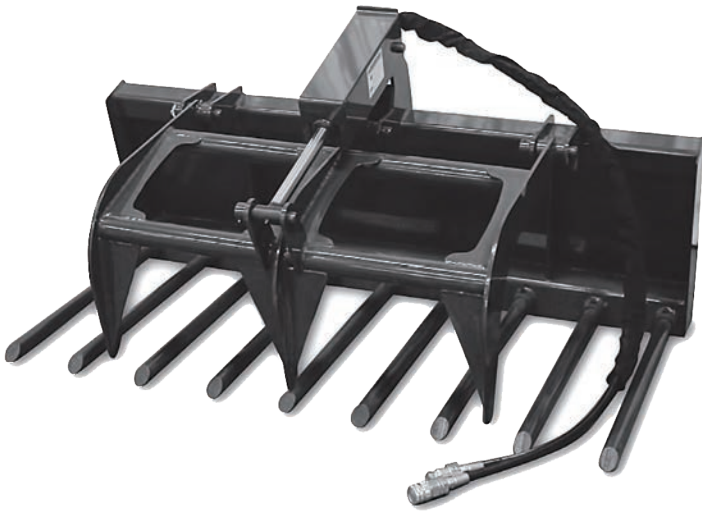
Compact Tractor Manure Fork Specs



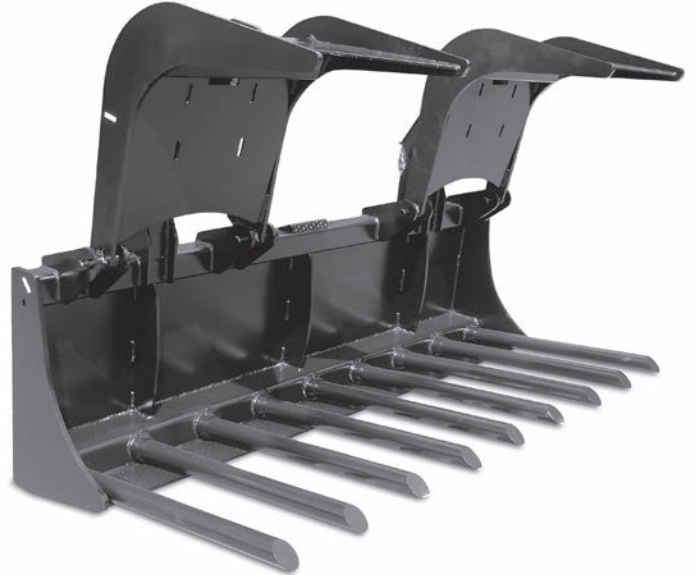
X-treme Manure Fork Specs



Compact Tractor Manure Fork Grapple



X-treme Manure Fork Grapple



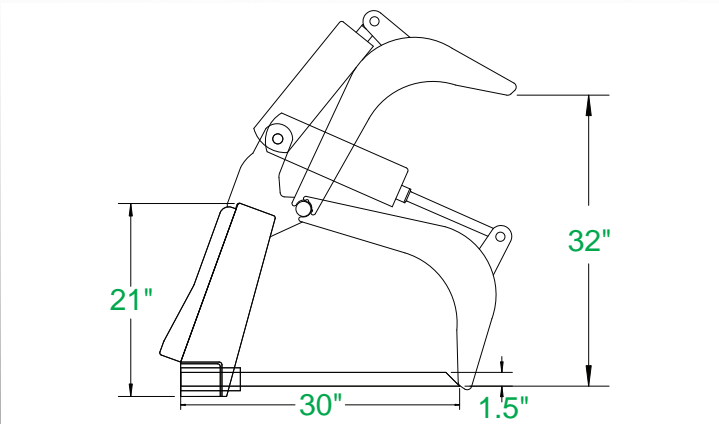
These forks are useful for manure and general pick up of materials when you only want to pick up the item and not the soil around it. The tines slide in through the front and are pinned from the rear.

Our X-treme Manure Fork Grapple is an excellent piece of equipment to have on the farm. Whether moving bales of hay or cleaning up after storm damage, you will find many uses for the manure fork grapple. Strong 2" cold rolled steel is used on the bottom tines.

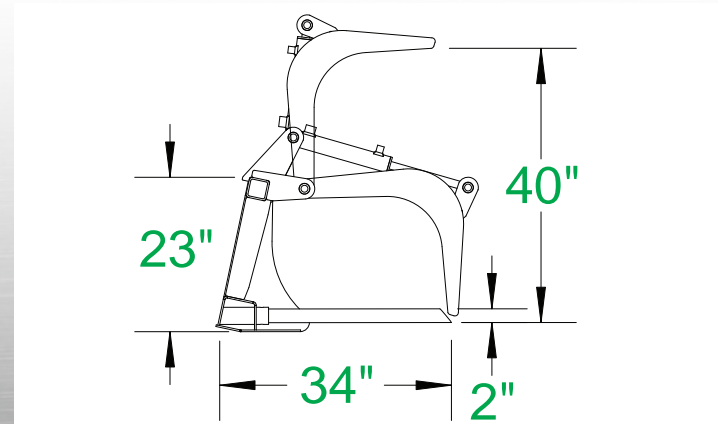
- Recommended for machines under 55 HP
- 1-1/2" cold rolled steel tines
- 2"x10" cylinder

- Strong 2" cold rolled steel tines
- 2"x10" twin cylinders
- Recommended for machines above 55 HP

Compact Tractor Manure Fork Grapple Specs



X-treme Manure Fork Grapple Specs

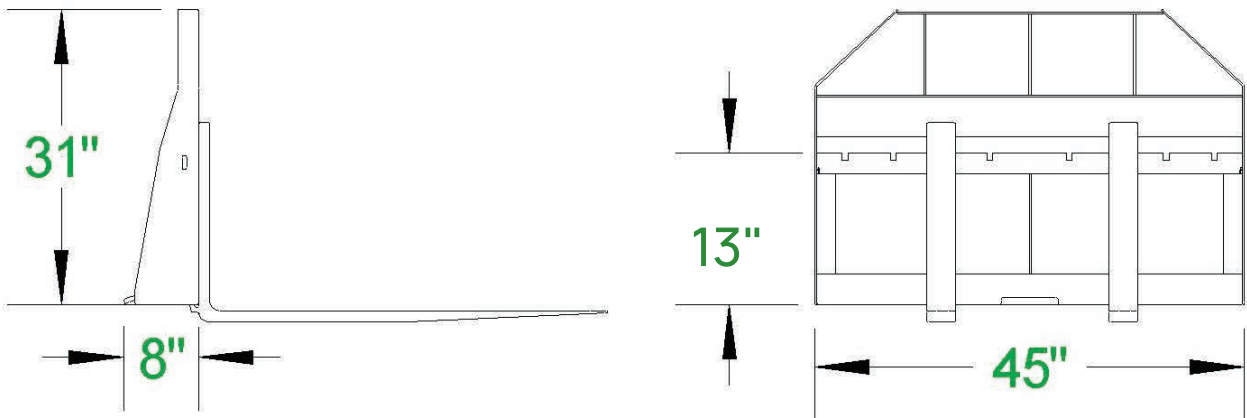




The CID Sub-Compact Pallet Forks are ideal for machines with limited lifting capacity. Similar to our compact tractor pallet forks, but using a class 1 fork to remove additional weight, without compromising strength. Fork tines come in 36" and 42" lengths.

- Heat treated Quality made forks
- See Spec. Sheet for Load Capacity
- 3/8" Formed top slide
- 2" x 3/8" Center slide support

Sub-Compact Pallet Forks & Frame Specs



Pallet Forks & Frame

Compact Tractor Pallet Forks & Frame

CID Compact Tractor pallet forks are designed specifically for compact tractors. Our lightweight frame offers a 2000 load capacity. Fork tines are 1 3/16" thick, 3" wide, and available in 42" or 48" lengths. Hooking up is fast and convenient, and our see-through visibility makes tine placement easy.



Standard Duty Pallet Forks & Frame

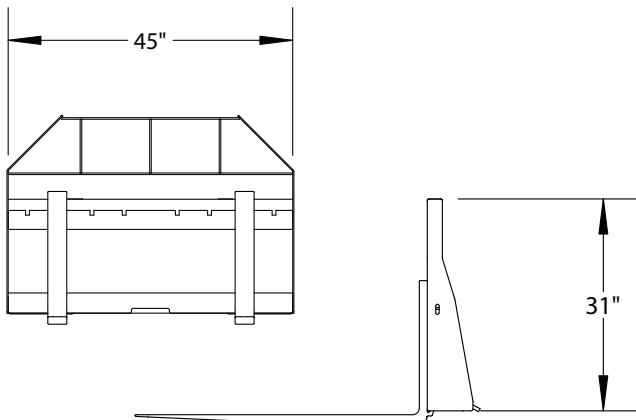
Anyone that owns a skid steer should have a set of forks on hand. Forks are ideal for lifting pallets, loading lumber or just about anything else. Our forks are 1-1/4 inches thick, 4 inches wide and 42 inches long. They are completely heat treated and rated to carry 3,000 lbs. We put a step on both sides of our frames so the operator can easily climb into the cab. Euro Style and John Deere mounts are available.



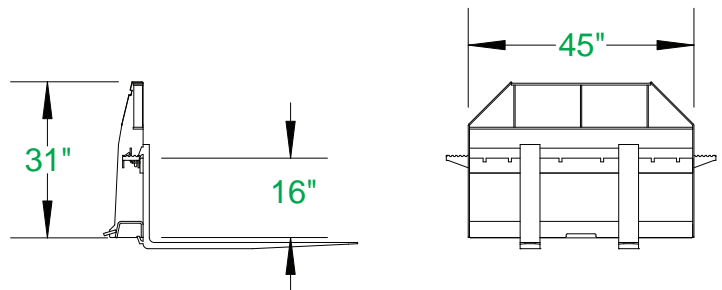
- Heat treated Quality made forks
- See Spec. Sheet for Load Capacity
- 48" tines available

- Heat treated Quality made forks
- See Spec. Sheet for Load Capacity
- Steps on both sides of frame
- Euro style and John Deere mounts are available

Compact Tractor Pallet Forks & Frame Specs



Standard Duty Pallet Forks & Frame Specs



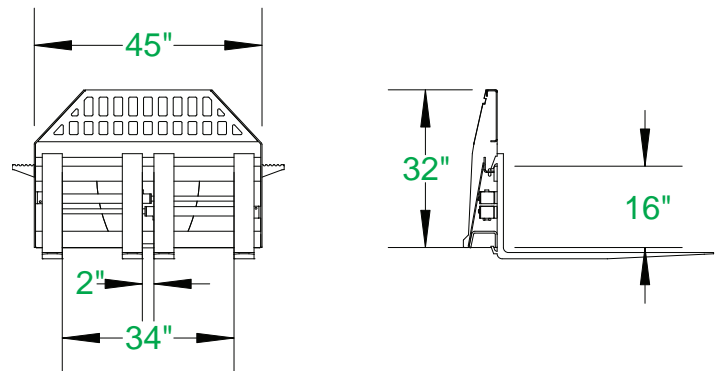
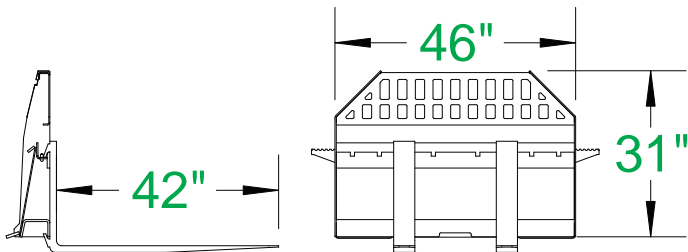


Anyone that owns a skid steer should have a set of forks on hand. Forks are ideal for lifting pallets, loading lumber or just about anything else. Our forks are completely heat treated and rated to carry 4,000 lbs. We put a step on both sides of our frames so the operator can easily climb into the cab. Euro Style, John Deere, and other mounts available.

- Heat treated Quality made forks
- See Spec. Sheet for Load Capacity
- Optional 5,500 lbs. capacity available
- Steps on both sides of frame
- Euro style and John Deere mounts are available
- Optional name in grill
- 42", 48" tines available for Forks /Frame
- 60", 72" avail for Hydraulic Forks/Frame - 5500
- Hydraulic forks use a 1 1/2" x 16" Cylinder

Heavy Duty Pallet Forks & Frame Specs

Hydraulic Pallet Forks & Frame Specs



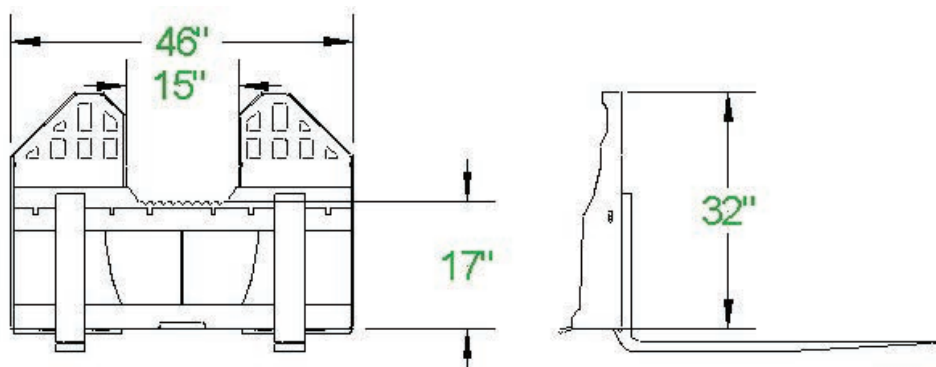
Heavy Duty Walk Through Pallet Forks & Frame



If you own a skid steer, you should have a set of forks on hand. Our walk through frame is exactly what it says. Instead of having to climb around or over the fork back frame, simply walk through it. This added convenience will make jobs go faster and easier whether you are lifting pallets, loading lumber or just about anything else. Our forks are completely heat treated and rated to carry 4,000 lbs.

- Walk through design makes entering machine easier
- Heat treated Quality made forks
- See Spec. Sheet for Load Capacity
- Euro style and John Deere mounts are available
- 42", 48", 60", 72" tines available
- Optional 5,500 lbs. capacity (for 60"+ tines)

Heavy Duty Walk Through Pallet Forks & Frame Specs

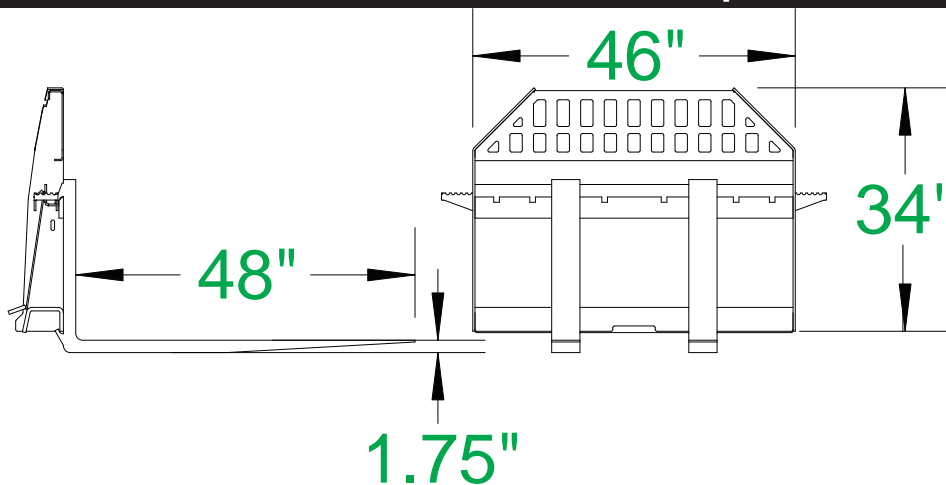




Anyone that owns a skid steer should have a set of forks on hand. Forks are ideal for lifting pallets, loading lumber or just about anything else. Our forks are 1-3/4 inches thick, 5 inches wide and 48 inches long. They are completely heat treated and rated to carry 8,500 lbs. We put a step on both sides of our frames so the operator can easily climb into the cab. Euro Style and John Deere mounts are available.

- Heat treated quality made forks
- See Spec. Sheet for Load Capacity
- Steps on both sides of frame
- Euro style and John Deere mounts are available
- Available sizes: 48", 60", 72", 96"

X-treme Pallet Forks & Frame Specs



X-treme Fork Grapple

Our Fork Grapple is ideal for use on the farm, in logging operations and by general contractors. The top tine is adjustable for small or large loads and the hydraulic cylinder gives you plenty of clamping force. Our fork tines are completely heat treated from the tip to the heel.

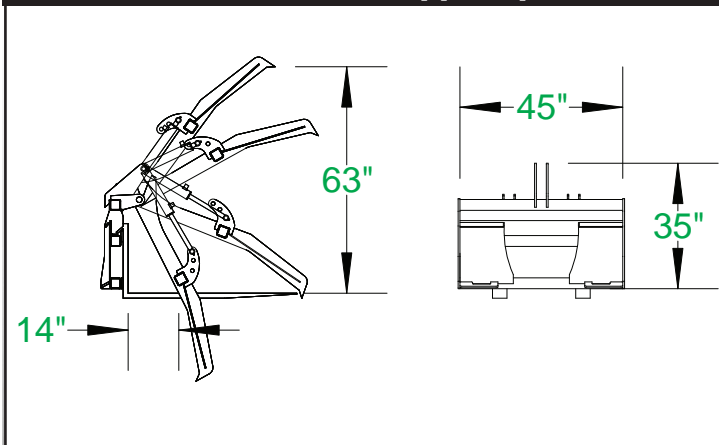


Class 2 shown

- Durable Heat Treated Forks
- See Spec. Sheet for Load Capacity
- Adjustable top tine to handle any size load
- 2" x 10" cylinder
- Available with 48", 60", 72" tines



X-treme Fork Grapple Specs



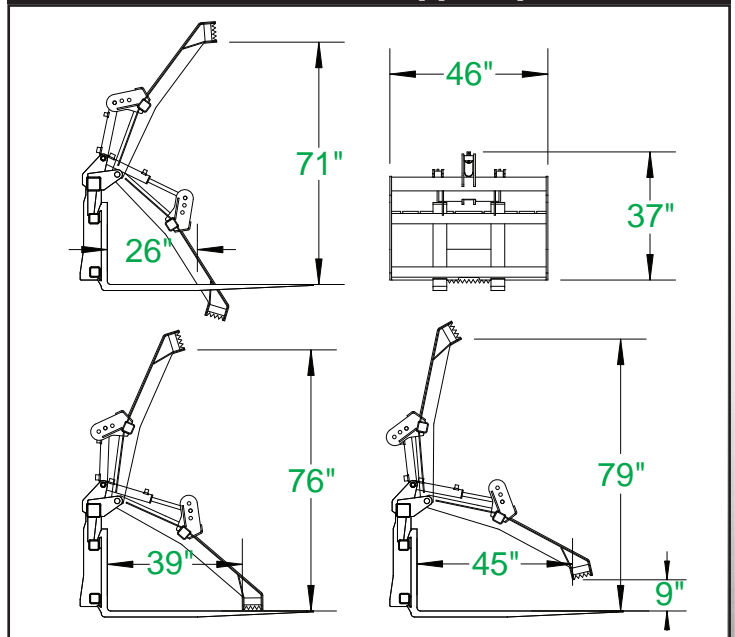
X-treme Mat Grapple

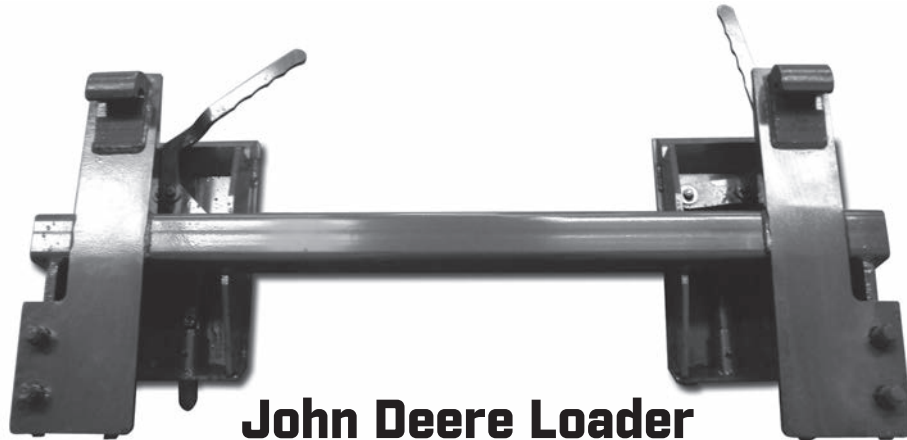
Our x-treme mat grapple is designed to pick up and move equipment mats. It can also be used to transport logs, poles and just about anything else. We build this in a class 3 carriage with a lifting capacity of 8,500 pounds.



- Durable Heat Treated Forks
- See Spec. Sheet for Load Capacity
- Designed to lift equipment mats
- Teeth on the grapple to grip the mats
- 60" forks standard

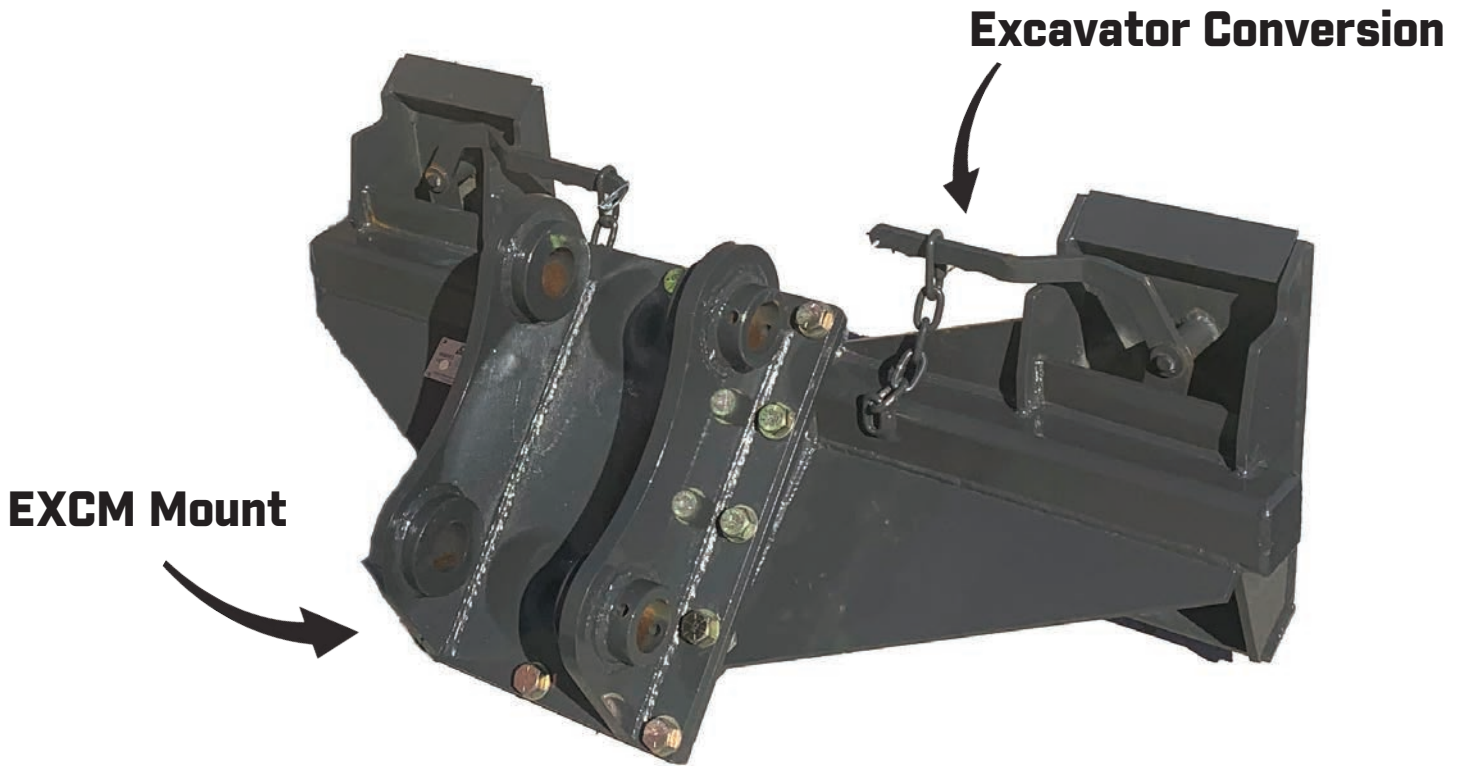
X-treme Mat Grapple Specs





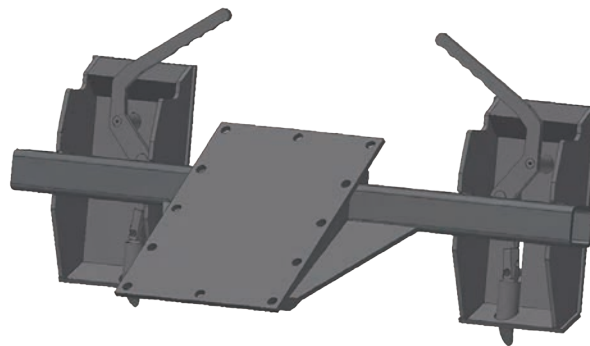
Your pin on tractor can easily be converted to a skid steer quick attachment. All we require are a few simple measurements. For those that have John Deere loaders, Euro loaders, or others we also make a conversion to attach to your loader which enables you to use skid steer attachments.

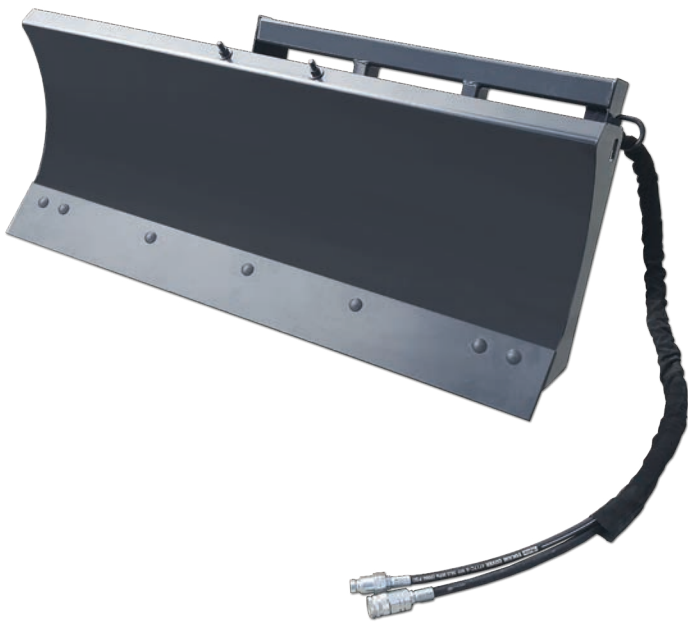
Build out your Custom Pin On by submitting the form on pg. 102.



*pictured with excavator mount bolted to excavator conversion.

EXTSS Conversion





Our Compact Tractor Snow Plow allows you to quickly clear driveways and parking lots. Easily angle the plow with the 2" x 6" hydraulic cylinder.

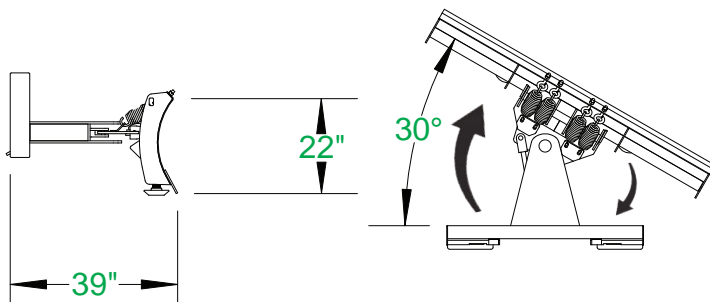
- Rated for under 45 HP
- Designed for compact tractors
- Available in manual angle
- 2" x 6" hydraulic cylinder
- Angles to 30 degrees both ways
- Available with Rubber Edge



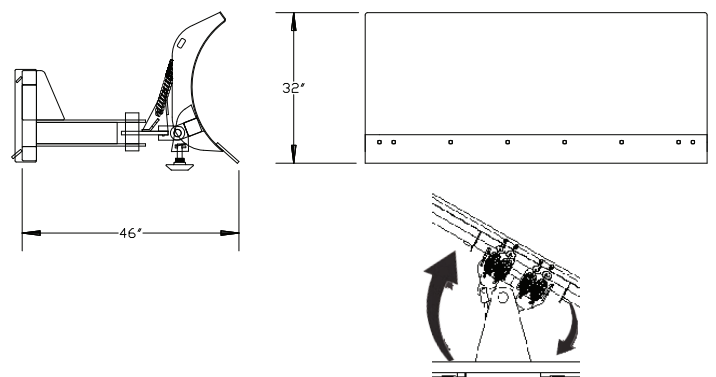
Our Heavy Duty Snow Plow is the same basic design of our X-treme Snow plow but without the extra roll top. This design allows the operator to have better visibility while plowing.

- Rated for 45-65 HP
- Easily angle the plow from inside the cab
- Available in manual angle or hydraulic versions
- 3" x 6" hydraulic cylinder
- 1/2" AR400 bolt on cutting edge
- Adjustable skid shoe
- Angles to 30 degrees both ways
- Available with Rubber Edge

Compact Tractor Snow Plow Specs



Heavy Duty Snow Plow Specs

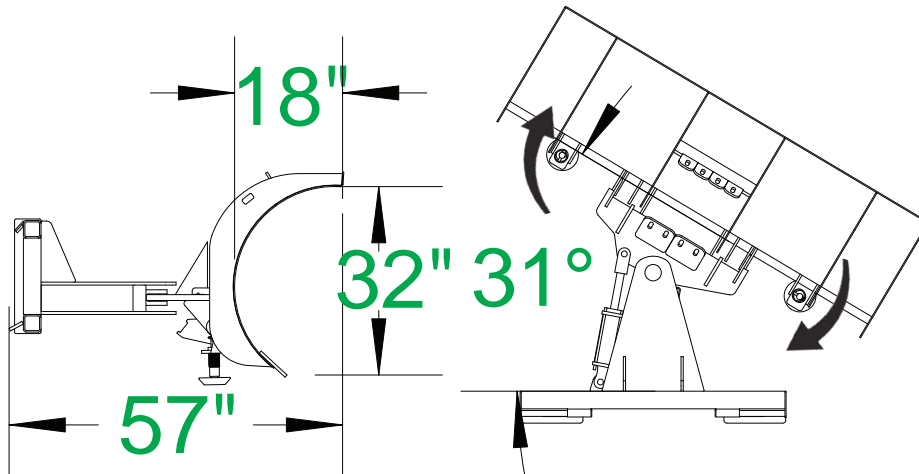




Our X-treme Snow Plow allows you to efficiently clear driveways and parking lots. Easily angle the plow from within your cab, using the 3" x 6" hydraulic cylinder. The top of the plow is rolled to keep the snow from coming back towards the cab. It's 1/2" bolt on cutting edge and adjustable snow shoes are standard.

- Rated for 65 HP+
- Easily angle the plow from inside the cab
- 3" x 6" hydraulic cylinder
- 1/2" AR400 bolt on cutting edge
- Adjustable skid shoe
- Angles to 30 degrees both ways
- Available in Manual or Hydraulic versions

X-treme Snow Plow Specs





TRUSTED ATTACHMENTS

Snow Pushers

Compact Tractor Snow pusher

Our Compact Tractor Snow pusher is a smaller version of our full size pusher, allowing you to get to areas a large machine could not reach. The low profile design offers greater visibility for small tractors and mini skid steers. Offered with a rubber or steel edge.



X-treme Snow Pusher

Our X-treme Snow Pusher allows you to clear a parking lot quicker than a snow plow. The snow pusher edge is 1-1/2" thick x 8" wide, adjustable, reversible and replaceable rubber so you won't tear up the pavement. The mold board is 1/4" and the sides are 3/8" thick for extra support.

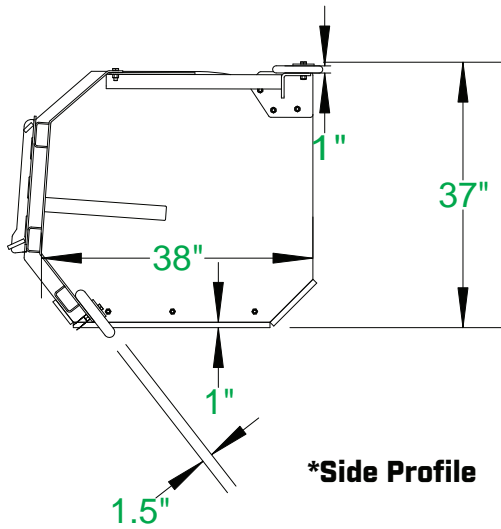


*Shown with optional pull back.

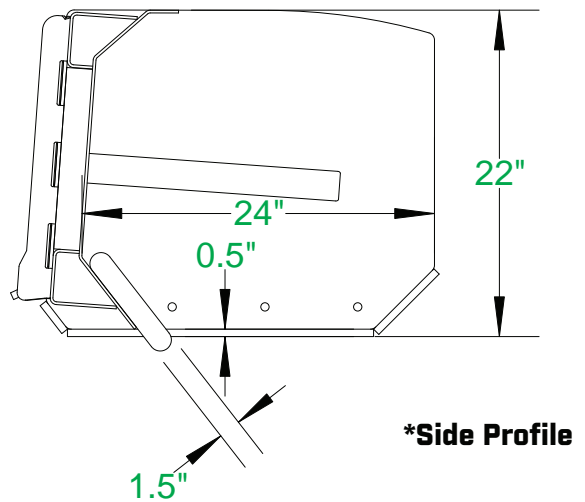
- 1-1/2" x 8" replaceable rubber edge
- 1/2" AR400 replaceable shoes
- 5/16" sides
- Optional pull back

- 1-1/2" x 8" replaceable rubber edge
- 3/4" AR400 replaceable shoes
- 3/8" thick sides for extra support
- Optional pull back

X-treme Snow Pusher Specs



Compact Tractor Snow Pusher Specs



X-treme Snow Blower



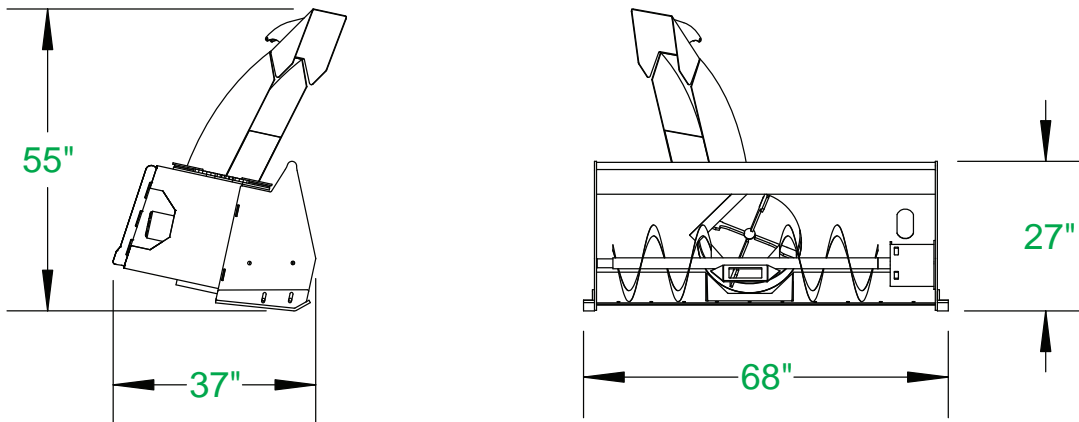
***Please specify if your using a John Deere. It requires a specific harness!**

***Shown with manual chute actuator**

The X-treme Snow Blower offers a 14" auger and single stage hydraulic blower. Other features include an electric controlled gear drive chute and deflector that rotates 180 degrees so the operator can change directions on the fly.

- Optional chute actuator
- Rated for 15-25 GPM flow rate
- Chute rotates 180 degrees
- Available with universal, 7 pin, 8 pin, or 14 pin wiring harness

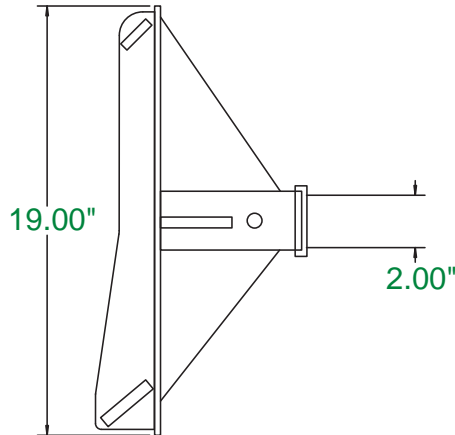
X-treme Snow Blower Specs



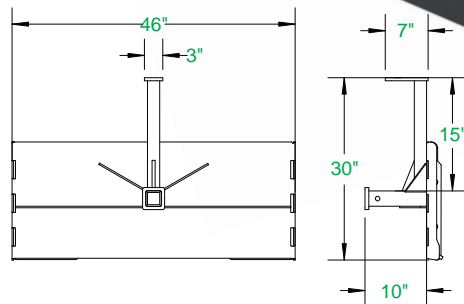
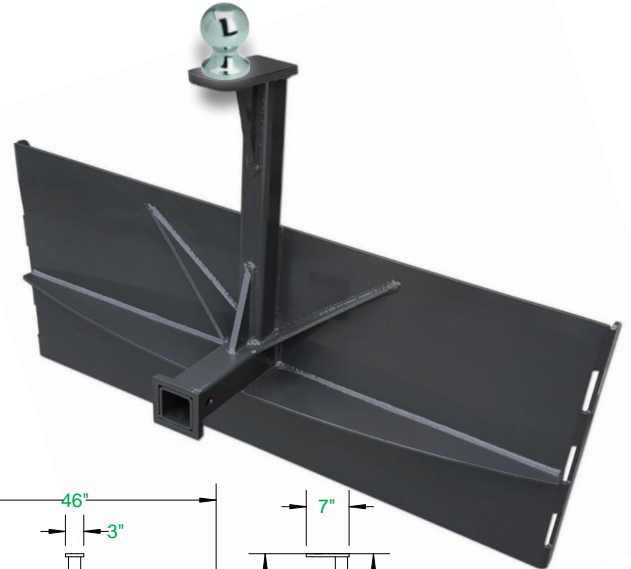
Receiver Hitch

Our receiver hitch makes it easy to move trailers around the yard using your skid steer. While it uses the same ball mounts you use in your other vehicles, hooking up only takes a fraction of the time required to hook a trailer to your truck. Hitch has a 4,000 Lb weight rating.

Receiver Hitch Specs

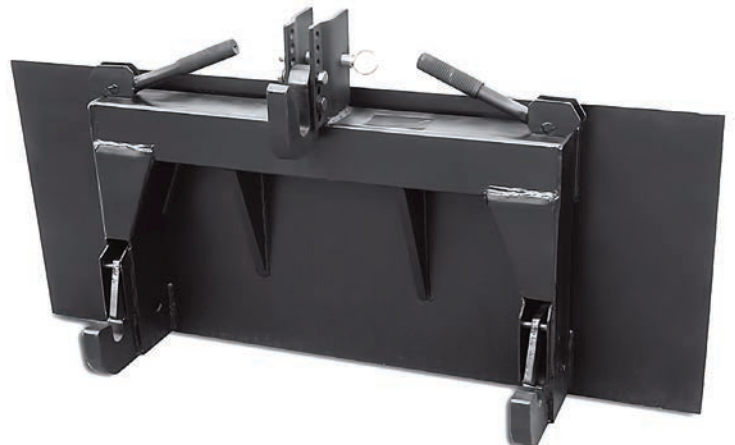


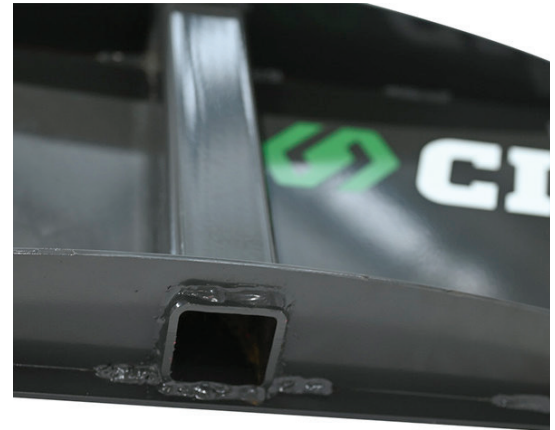
Gooseneck Receiver Hitch Specs



3-Point Hitch

The CID 3-Point Hitch is handy to have around the farm. Simply drive your skid steer up to the implement, hook it up and go. No need to get your tractor out, just to move some attachments around. **Available in cat 1 [20-45 HP] or cat 2 [45-100 HP].**

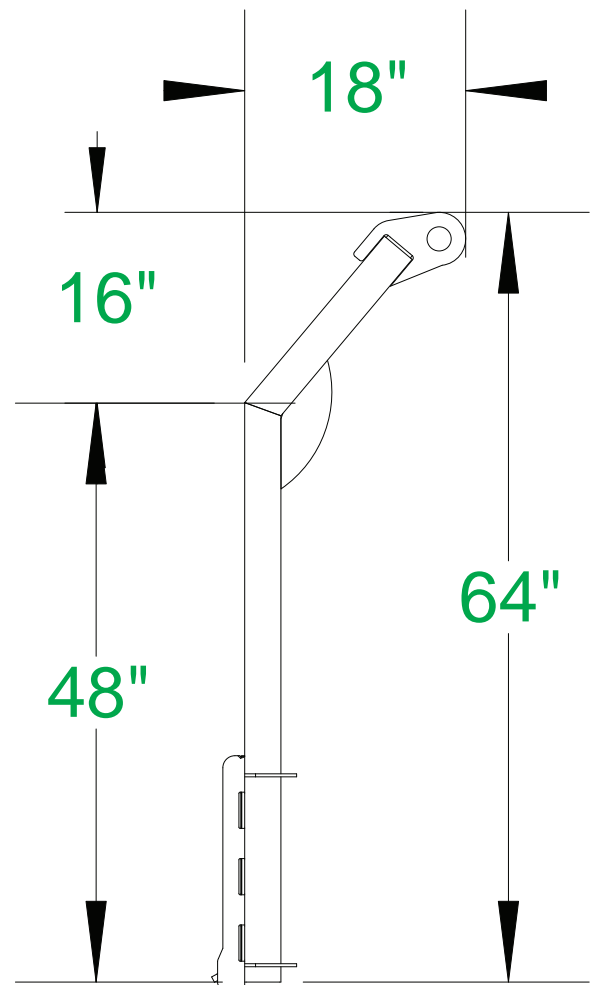




The X-treme Boom Pole is an essential tool for anyone in the landscaping or nursery industry. Easily pick up trees to be planted, transported or loaded. The boom is constructed from 3" x 3" tubing that is 1/4" thick, and is rated to carry 3,000 lbs. You also have the option of ordering it with an extended 4 x 4 tube boom pole which is rated to carry 4,000 lbs.

- Constructed from 1/4" thick, 3" x 3" tubing
- Rated to carry 3,000 lbs.
- Upgraded 4 x 4 tubing available
- 4,000 lb upgrade optional

X-treme Boom Pole Specs



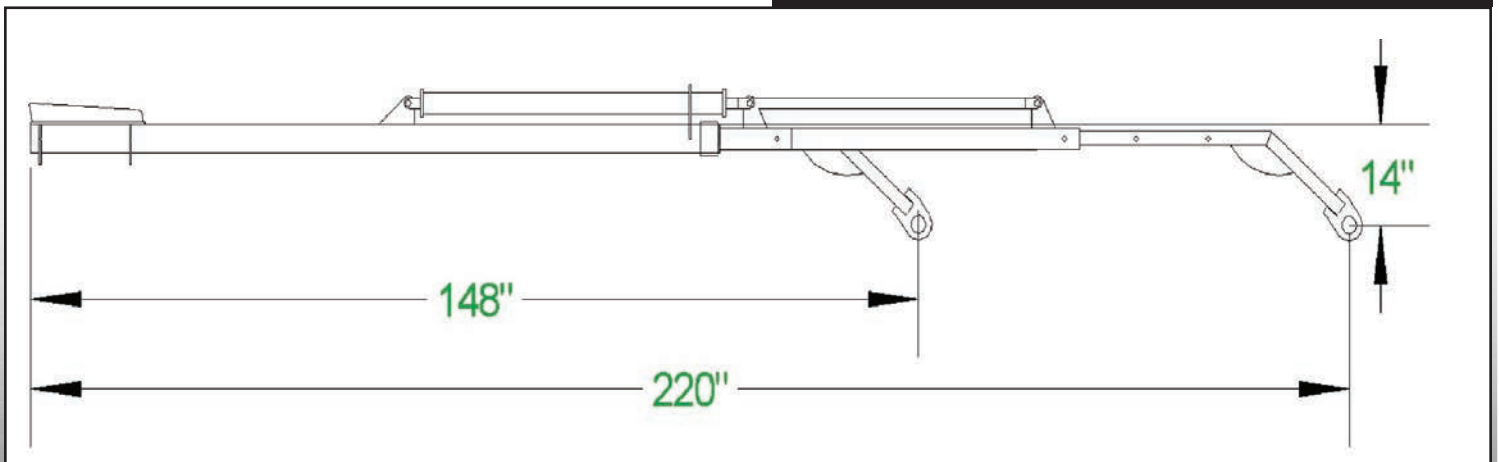
Telescopic Boom Pole



The CID Telescopic boom Pole is a hydraulically driven pole which allows for easy transportation of your items, with the ability to extend your height by 72". The pole has a 4x4 base with 3/8" thick walls. The hydraulic extension arm is constructed from 3x3 tubing, and the manual extension from 2x2 tubing. The Arm is rated to carry 1200 lbs, with an angle limitation of 45 degrees. The manual extension arm can be positioned in 2 different height locations, one at 12" and the other at 24". (When fully extended, rated at 500 lbs!)

- Up to 72" height Extension
- 2.5"x48" Hydraulic Cylinder
- 16" Extended Arm set at 40 Degrees
- 2.5" Hole in Bracket for strapping Chains, Hooks
- Increased freight upcharge on pallet shipment

Telescopic Boom Pole Specs



With the CID Universal Skid Steer Quick Attach plate, you can easily convert your existing attachment to the universal skid steer hook up. Simply weld or bolt the quick attach plate to the implement you wish to convert. Our standard quick attach steel plates are 1/4" thick and are solid across the back. We can also make the steel plates thicker for different applications.



3/8" and 1/2" available

Tooth Bar

Attaching a CID tooth bar to your existing bucket means you are ready for some serious digging. Simply drill a hole on each side of your bucket and bolt on the tooth bar. The shanks on the tooth bar hook onto your existing cutting edge, where all the pressure is applied. The bolts simply hold the tooth bar on the bucket. Our tooth bar teeth are all replaceable, so you don't have to worry about breaking one.

Note: Will not work if combined with bolt on edge



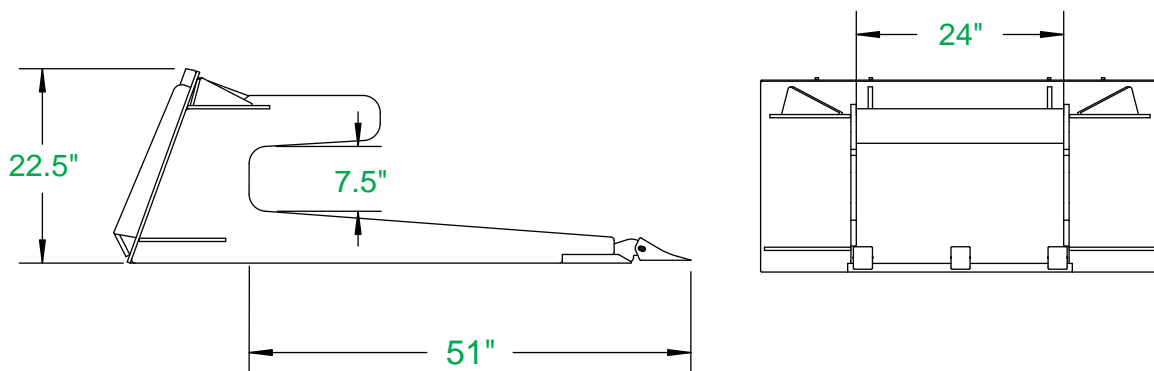
- Replaceable teeth
- Available Sizes: Any Size Needed



The CID concrete claw is designed to pick up big slabs of broken concrete on job sites, construction sites, driveways and sidewalks. The concrete claw can also be used to remove stumps, shrubs, bushes, and large rocks.

- 5/8" AR400 sides.
- 3/8" bottom & top plates.
- 4" square tube on top.
- 1" x 8" edge with 23 series teeth.

Concrete Claw Specs



X-treme Fixed Tree Saw



New Teeth Design!

Upgraded teeth now come standard to increase powerful cutting capabilities!

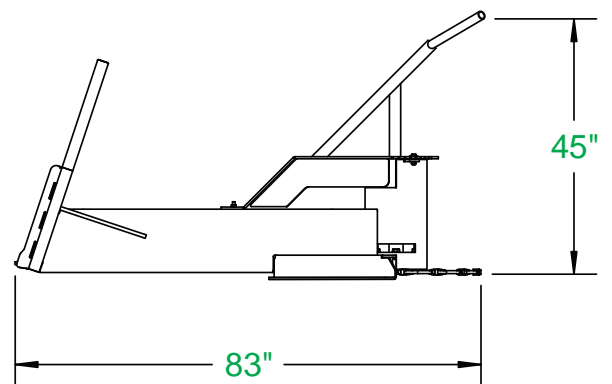
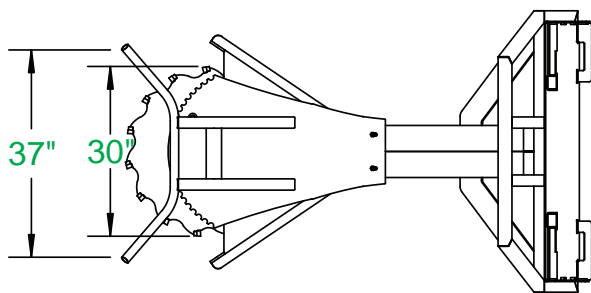


Easy to Replace!

The CID Fixed Tree Saw is a useful attachment when it comes to land management. From clearing undergrowth to cutting out smaller trees this tree saw attachment will leave your land looking like it should. **This tree saw has two flow models. One that requires a case drain and those that do not.** All hydraulics are routed through the boom for extra protection. The blade holder is 1/2" AR400 and there are fifteen high strength, four sided carbide cutting teeth.

- Rated for 18" cutting diameter
- 17 to 23 GPM and does not require a case drain
- 20 to 30 GPM, Piston Motor and requires case drain
- Blade holder is 1/2" AR400
- Fifteen high strength, carbide cutting teeth

Fixed Tree Saw Specs





New Teeth Design!

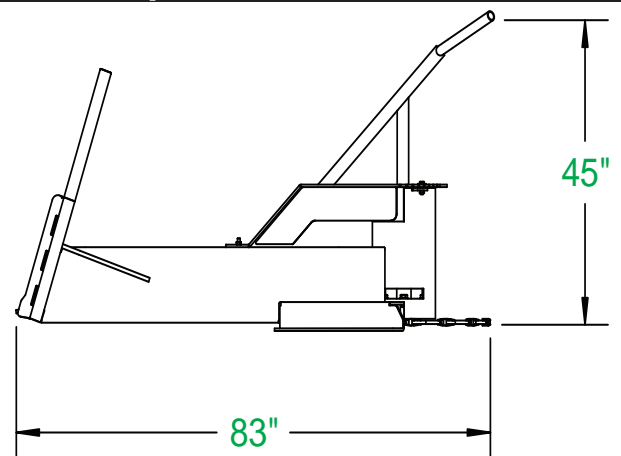
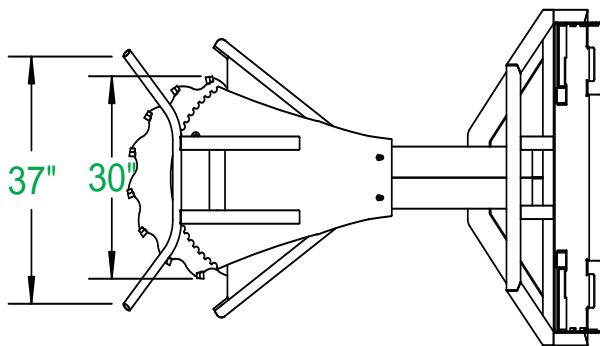


Upgraded teeth now come standard to increase powerful cutting capabilities!

The CID Xtreme Tree Saws are useful attachment when it comes to land management. From clearing undergrowth, to cutting out small trees, this attachment will leave your land looking like it should. We have two versions of our tree saw: Fixed and Manual Rotating. The Manual Rotating provides an incredible 90 degree rotation in either direction giving you flexibility when you need it most. Hydraulics on both models are routed through the boom for extra protection. Both models have a 1/2" AR400 blade holder, and 15x high strength four sided cutting carbide teeth.

- 17 to 23 GPM and does not require a case drain
- 20 to 30 GPM, Piston Motor and requires case drain
- Blade holder is 1/2" AR400
- Fifteen high strength, four sided carbide cutting teeth

X-treme Manual Rotating Tree Saw Specs

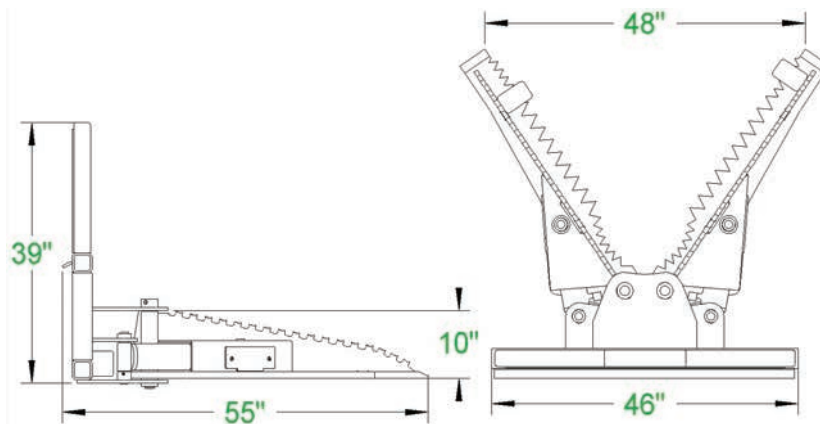




The CID Terminator Tree and Stump Remover is an excellent addition to your landscaping arsenal. Our powerful American made 3.5" bore cylinders provide the clamping force needed to pull 12" trees and remove any size stump. The Terminator boasts a total of 66 AR400 teeth, 32 horizontal and 34 vertical.

- Dual 3.5" x 4" Cylinders, 1.25" Pins
- 1.5" Main Pivot Pins
- Replaceable 1" x 8" Cutting Edge
- 5/8" AR400 Vertical Teeth
- 1" AR400 Horizontal Teeth

Terminator Tree and Stump Remover Specs

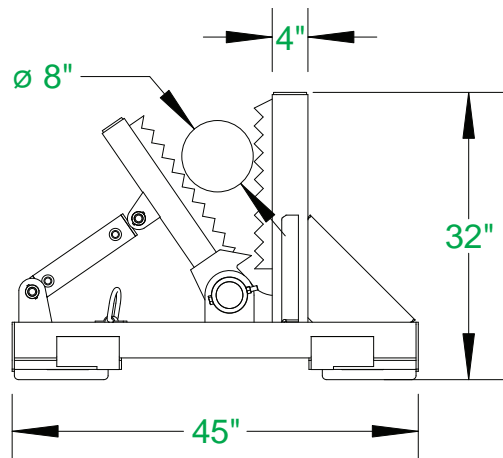




This versatile puller will pull posts up to 8" in diameter and trees up to 6" in diameter. It allows you to pull up unwanted trees and shrubs without having to dig around the roots.

- Pull posts up to 8" in diameter and trees up to 6" in diameter
- 2-1/2" x 8" cylinder

Tree & Post Puller Specs

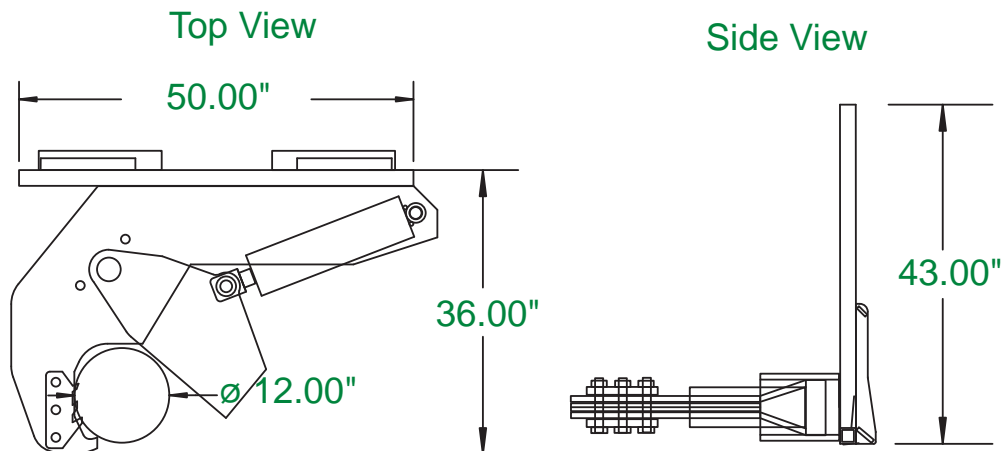




Our X-treme Tree Shear has a 5" cylinder that can generate up to 40 tons of shearing force. It is constructed with a 1" thick AR400 blade, which gives you the ability to cut up to 12" diameter trees and logs. It's design forces trees to fall consistently to the right, allowing the operator to accurately position where the tree will land.

- Cuts 12" Diameter Trees
- 1" thick AR400 blade
- 40 tons of shearing force

X-treme Tree Shear Specs



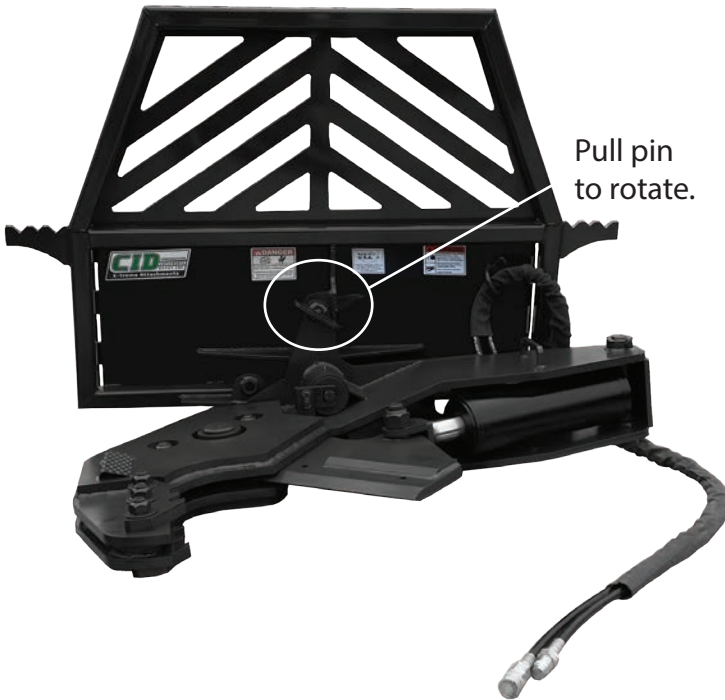


TRUSTED ATTACHMENTS

X-treme Rotating Tree Shear

Manual Rotating Tree Shear

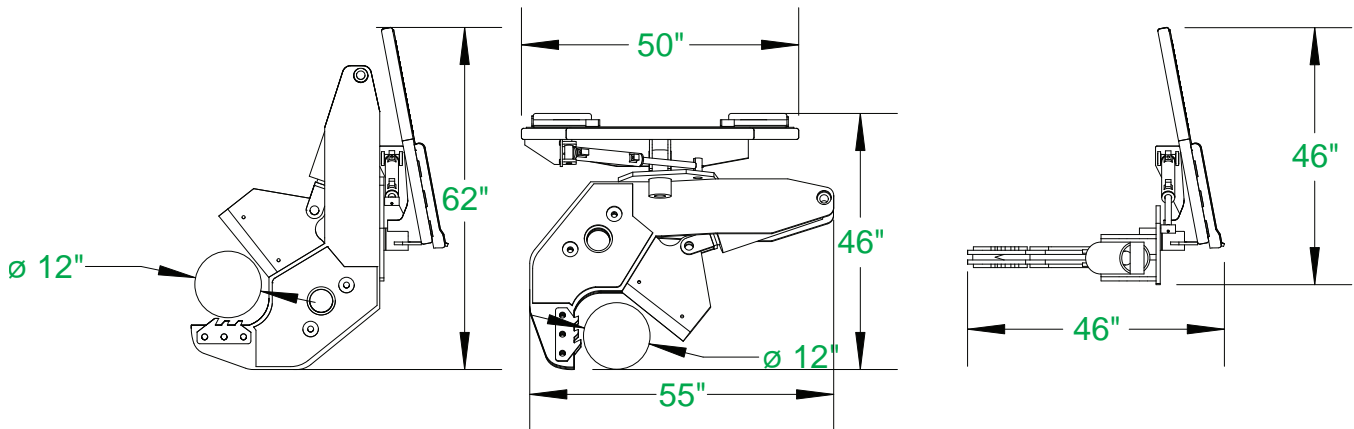
Hydraulic Rotating Tree Shear



Our X-treme Rotating Tree Shear has a 5" cylinder that can generate up to 40 tons of shearing force. It is constructed with a 1" thick AR400 blade, which gives you the ability to cut up to 12" diameter trees and logs. It features a 90 degree rotation that is offered in manual or hydraulic. **(Note: manual is a two man operation.)** It's design forces trees to fall consistently to the right, allowing the operator to accurately position where the tree will land.

- Cuts 12" diameter trees
- 1" thick AR400 blade
- 40 tons of shearing force
- Hydraulic tree shear powered by a 5" x 12" cylinder
- 90 degree rotation offered in manual or hydraulic
- Available with universal, 7 pin, 8 pin, or 14 pin wiring harness

X-treme Rotating Tree Shear Specs

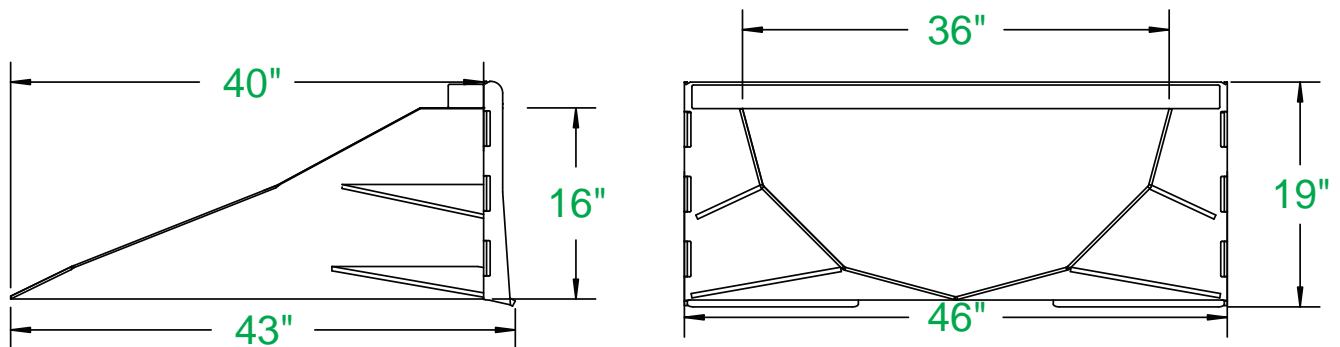




The CID Tree Spade is an essential tool in the landscaping and lawn care or nursery industry that can easily dig out stumps, transplant trees or dig trenches. Our tree spade is made from abrasion resistant ¼" AR400 material. The front edge is beveled to give a sharp penetrating edge for digging. This is offered in 40" and 48" sizes.

- Made with ¼" AR400 Material
- Front Beveled Edge
- Available sizes: 40", 48"

Tree Spade Specs



Stump Buckets

Heavy Duty Stump Bucket

The Heavy Duty Stump Bucket is an excellent addition to your skid steer attachments. Easily dig around the stump, and then pop it out. We have even had contractors dig house footings with the stump bucket. These stump buckets will enable you to be more versatile in your contracting needs.



- Great for stump removal and digging footings
- 3/8" sides 3/4" x 6" edge
- 3" x 3/8" Wear bars
- Rated for 65 HP or below.

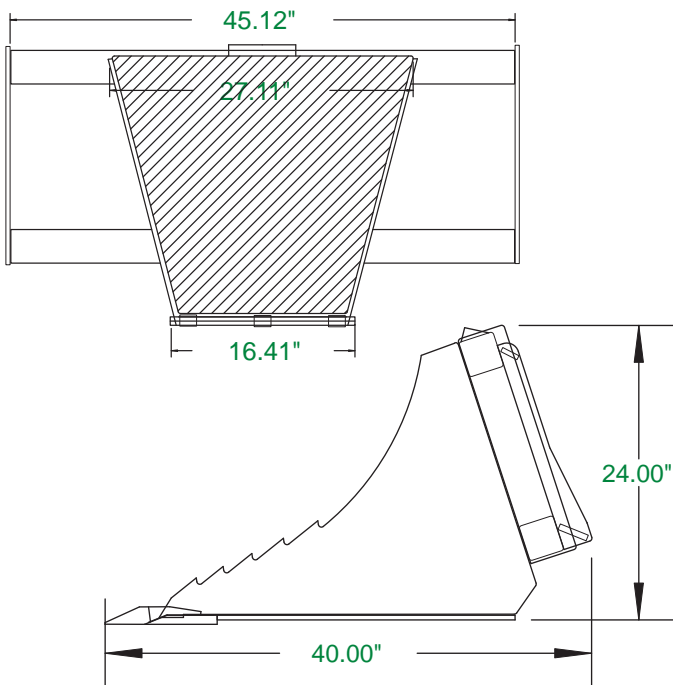
X-treme Stump Bucket

Our X-treme Stump Bucket is made from 1/2" top quality steel plate and features a 1" cutting edge with replaceable teeth. It has a curved bottom, giving you more leverage when prying up rocks and stumps or digging in harder ground. The X-treme Stump Bucket is a full 12" longer than our Heavy Duty Stump Bucket, which allows you to dig much deeper.

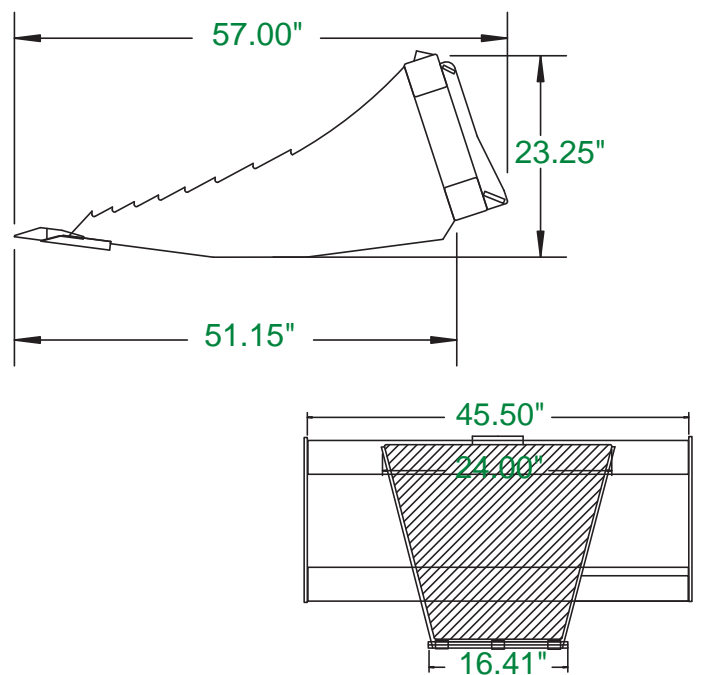


- 4x4 Square tube frame
- Made from 1/2" top quality steel
- 1" cutting edge with Replaceable teeth
- Rated for 65+ HP
- 12" longer bucket

Heavy Duty Stump Bucket Specs



X-treme Stump Bucket Specs



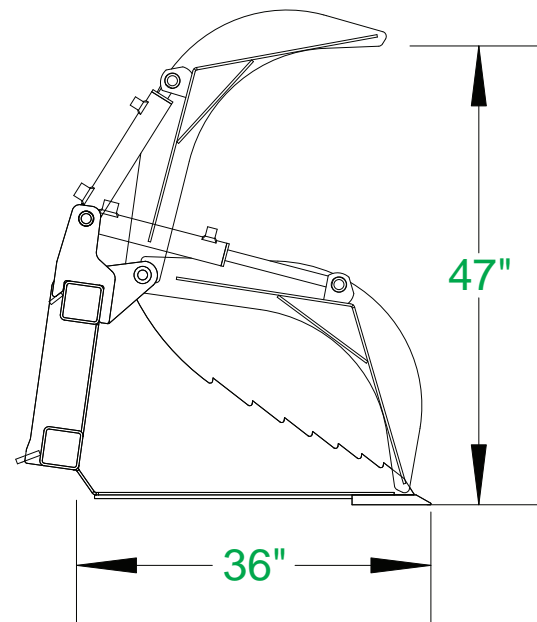
X-treme Stump Grapple



Our X-treme Stump Grapple is made from 1/2" top quality steel plate and features a 1" cutting edge, replaceable teeth and a 3/8" hose. Not only are you able to dig out stumps, you are able to carry them away afterwards. No need to have another attachment for loading the stump into your dump truck, or moving the stump to a burn pile.

- Made from 1/2" top quality steel
- 1" cutting edge
- Replaceable teeth
- Easily transports stumps
- 2" x 10" cylinder

X-treme Stump Grapple Specs



Auger Drive

Our Mini Auger Attachment has a continuous pressure rating of 3,000 psi and an intermittent pressure of 4,000 psi. The auger consists of a motor mounted directly to the planetary gear box with no chains to break or come loose. It comes complete with mounting plate, hoses and couplings. There is no need to pay extra for anything. The output shaft is either a 2" hex or 2-9/16" round drive and is powerful enough for the toughest jobs.

- Direct drive through planetary gear.
- Mounting plate, hoses and couplings included.
- Various auger bit sizes and styles are available.
- Heavy duty output shaft.
- Capable of driving up to 36" bit



Brush Cutter

The mini skid steer Brush Cutter easily fits into tight places that your standard skid steer brush cutter can't reach. It offers a 44" cut to tackle even the most demanding jobs, and has the capability of cutting 3" brush in a single pass. Standard features include a Parker motor, Omni gear box.

- 44" cut
- Flow range of 10-15 GPM



4N1

The 4-N-1 bucket is very versatile attachment for your mini skid steer and are ideal for grappling, dozing, backfilling, loading, digging and fine grading.

The cylinders on our mini skid steer 4-N-1 Buckets have a 2" bore by 6" stroke. The buckets are equipped with a 1/2" x 4" cutting edge. They are also built with top quality steel, oversized pins and bushings, with grease fittings at every pivot point. Every unit exceeds the lifting capacity of the skid steer machine it

- 2" bore by 6" stroke cylinders
- Grease fittings at every pivot point
- Optional weld on teeth



Concrete Bucket

Our Mini Skid Steer Concrete Bucket Attachment is designed for carrying and placing concrete using your skid steer. It allows you to accurately place concrete in areas inaccessible to trucks without any waste. It eliminates having to use a wheelbarrow and reduces manual labor.

- 3/16" material
- 1/4" yard capacity



Low Profile Bucket

The mini skid steer Low Profile Bucket is ideal for moving, digging, and grading dirt or gravel. Sizes ranging in widths from 34"-48". Extreme Package upgrade available (20" Buckets will have a 1/4" Wrap, 15" Buckets will have a 1/2" wrap/sides and a 1/2 x 4" edge

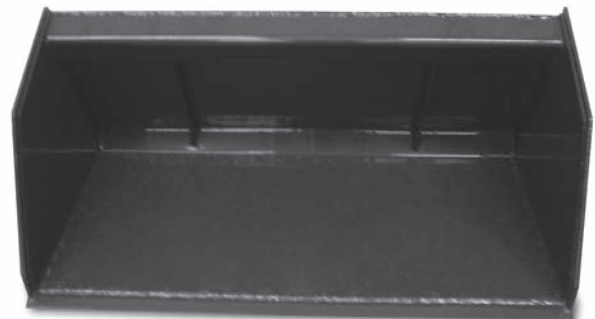
- Optional weld on teeth are available
- 3/16" bucket wrap
- 1/2" x 4" edge
- Widths ranging from 34"-48"
- MT50 Bucket height 20"
- Dingo Bucket height available in 15" or 20"
- Xtreme Package Available- 1/4" wrap and sides with 1/2x6" Edge.



Snow & Litter Bucket

The mini skid steer Snow & Litter Bucket is ideal for lifting large volume, low weight material such as snow, mulch, manure, sawdust, shavings and any other type of loose or light debris.

- Designed for large volume, low weight material
- 3/16" bucket wrap
- 1/2" x 4" edge





TRUSTED ATTACHMENTS

Mini Skid Steer Attachments

Dingo/Boxer/Ramrod/Ditch Witch/Thomas/MT50/MT52/
MT55/Bobcat 463 Attachments

Rock Bucket

The mini skid steer Rock Bucket is made from top quality steel and is ideal for sifting out large rocks. It works great in pastures, lawns or construction sites.

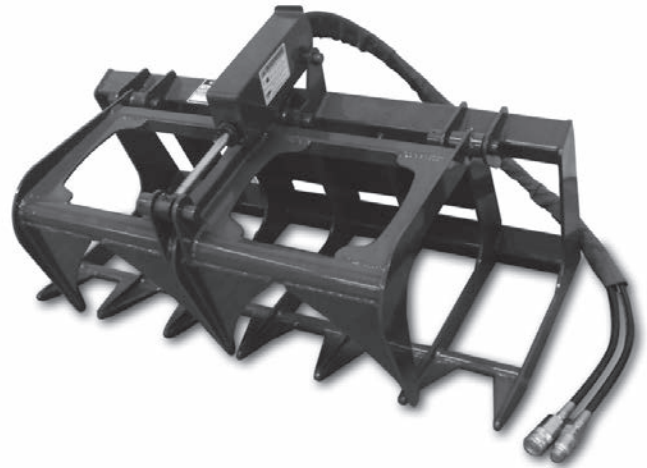
- 1/2" x 4" edge
- 5/16" tines
- 2 3/8" Spacing



Root Grapple

Our mini skid steer Root Grapple is perfect for the compact tractor. They are built strong yet very light

- 2" x 4.5" stroke cylinder
- 5/16" steel



Grapple Rake

The mini skid steer Grapple Rake is ideal for raking up debris. The shape of the grapple rake makes it easy to roll debris into tight piles if you are planning to burn. We use twin 2" by 6" stroke cylinders, rated at 3,000 psi to handle the toughest jobs. Our mini skid steer Grapple rake is built with 3/8" top quality steel

- Twin 2" x 6" cylinders
- Unique design makes it easy to roll debris into tight piles



Grapple Bucket

The mini skid steer Grapple Bucket is a versatile, and great choice for anyone who owns a mini skid steer. Easily pick up logs, rock, left over building supplies or any other type of debris. They are built with top quality steel, have 2" bore by 4.5" stroke cylinders, oversized pins and bushings, with grease fittings at every pivot point. Every unit exceeds the lifting capacity of the machine it is attached to.

- 2" x 4.5" cylinder
- Grease fittings at every pivot point
- Optional weld on teeth



Land Leveler

Our mini skid steer Land Leveler is used to cultivate, grade, cut, and mainly level land. This attachment is not designed to transfer large amounts of dirt. They are specifically used for leveling jobs such as dirt roads and gravel driveways.



Multi-Purpose Power Rake

Our mini skid steer Multi-Purpose Power Rake is an innovative landscape tool that combines a 4N1 bucket along with a power rake. No longer will you have to change attachments to finish preparing the soil bed. You can now use your rake for back dragging, digging,

- Dual 2-1/2 x 8" cylinders
- 1-1/4" Pivot pins
- Carbide roller tips
- 7-1/2" diameter drum (10-1/4" tip to tip)
- Side cutters standard
- Direct drive motor
- Flow Rate of 15-25 GPM Required
- Available with universal 7 pin, 8 pin, or 14 pin



*Full size Rake shown, with optional teeth.



TRUSTED ATTACHMENTS

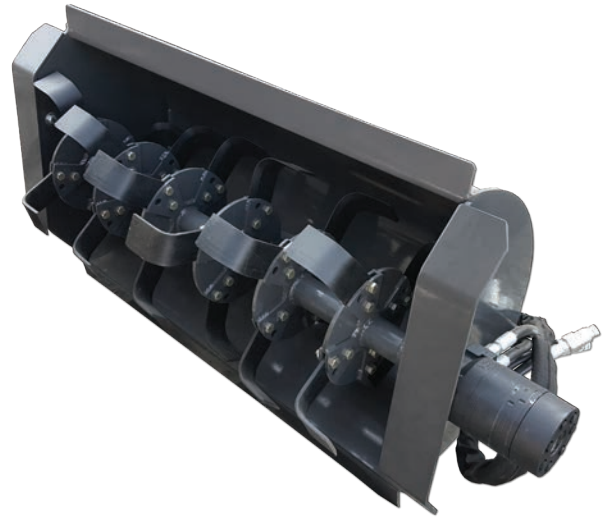
Mini Skid Steer Attachments

Dingo/Boxer/Ramrod/Ditch Witch/Thomas/MT50/MT52/
MT55/Bobcat 463 Attachments

Rotary Tiller

The mini skid steer rotary tiller is a perfect attachment for tilling gardens and small fields. It's also great for deer hunters to use to make food plots with ease. These tillers have a bi-directional rotation and can till ground up to 6" deep

- **Rated for 10-20 GPM**
- **2 3/8" diameter tine rod.**
- **Bolt on replaceable tines.**
- **1/4" plate, rolled housing.**
- **3/8" sides with 3/8" shoes.**



Trencher

Our mini skid steer trencher is ideal for trenching water lines and cable lines in places a full size trencher cannot get to. With a dirt chain, combo chain, or full rock and frost we are sure to have a chain to fit your trenching needs.

- **10" auger**
- **4" or 6" chains**
- **36" or 48" Lengths**



Pallet Forks

Our mini skid steer pallet forks are class 1 pallet forks and are rated for 2800 lbs. They are available in 36" and 42"



Mini Snow Pusher

Our Mini Skid Steer Snow Pusher allows you to clear a parking lot quicker than a snow plow. It is 48" wide.



- 1½" x 8" replaceable rubber edge
- ½" AR400 replaceable shoes
- 5/16" sides
- Optional pull back

Boom Pole

The mini skid steer Boom Pole is an essential tool for anyone in the landscaping or nursery industry. Easily pick up trees to be planted, transported or loaded. The boom is constructed from 3" x 3" tubing that is 1/4" thick, and is rated to carry 3,000 lbs.

- Constructed from 1/4" thick, 3" x 3" tubing
- Rated to carry 3,000 lbs.



Stump Grapple

Our Mini skid steer stump grapple is a scaled down version of the heavy duty stump grapple. With the weight of the grapple in mind, we were able to design this to withstand the force of the largest of the mini skid steers. Whether you are digging out stumps or digging a trench, our mini stump grapple is up for the test.

- 3/4 x 6 cutting edge
- 2 x 10 cylinder
- 23 series teeth



* Please see our website for our most current warranty information*

INSTRUCTIONS: for filing Claims

The warranty claim form must be filled out prior to any replacement parts being sent or warranty work being performed. We will not credit back parts that were ordered direct from our parts department. The warranty department will ship out the required parts to complete the warranty repair once claim has been reviewed and approved. We will not credit back labor without prior approval which means the warranty claim form must be filled out first. Travel will not be covered.

Skid Steer Attachments Limited Warranty Coverage

CID Skid Steer Attachments that will be covered by a full 1-Year Limited Warranty UNLESS NOTED Otherwise below:

Limited Warranty

Construction Implements Depot, Inc. products are warranted only to the original Purchaser to be free from defects in workmanship or materials for a period of (12) months from initial sale, lease or rental date.

Be sure to follow all recommended Horsepower and GPM Requirements as outlined under product specifications, in order to prevent warranty from being Void due to usage being outside designed specifications for all products.

Hydraulic Breakers

Three Year **Full** Warranty (wear parts excluded)

Forestry Disc Mulcher

For more info on our disc warranty please refer to our disc operating manual. For warranty info on all other components on the forestry disc mulcher please refer to the CID operator's manual.

Non-Covered items

- This warranty does not cover normal wear items, including but not limited to, bearings, hoses, ground engaging parts such as, teeth, blades, Blade holders, cutting edges, pilot bits, auger teeth and broom bristles.
- This warranty does not cover maintenance, service or adjustments.
- This warranty does not cover damage due to misuse, negligence, accidents, or improper maintenance.
- This warranty does not cover damage due to improper application, installation, adjustment or setup.
- This warranty does not cover improper modifications of product.
- This warranty is void if any components have been disassembled, i.e. pumps, gear boxes, motors.
- Specially modified attachments built by CID X-treme Attachments to meet your customer's needs shall not be warranted by Construction Implements Depot, Inc.
- This warranty does not cover replacement parts not supplied by CID, Inc
- This warranty does not cover Cylinders, unless there is a leak on initial hookup.



Warranty Statement

Our obligation under this Limited Warranty shall be solely limited to repairing or replacing any part (see non-covered items) free of charge that, according to our judgment, show evidence of a defect in quality of workmanship or materials for the stated (12) month warranty period. All defective parts will be routed at CID, Inc. discretion with freight or delivery charges to be prepaid. This Limited Warranty shall not be interpreted to render CID, Inc. liable for any injury or damage to persons, business or property of any kind nor expenses or losses incurred for labor, supplies, substitute machinery rental, or for any other reason. Repair or replacement parts are subject to the supply conditions at the time of repair or replacements, which may directly affect our ability to obtain material and/or replacements parts. CID, Inc. reserves the right to make improvements in design or changes in specifications at any time without incurring any obligations to owners of previously purchased units. No one but CID, Inc. is allowed to alter, modify or enlarge this warranty nor the exclusions, limitation and reservation at any time.

Procedures For Obtaining Warranty Skid Steer Service

RGA (Returning Goods Authorization) Policy:

If repairs are required, CID must obtain a RGA number from the Manufacturer of the defective part and proof of purchase. RGA and services are rendered by CID only. Any responsibility of shipping costs on any item returned for repair is at the discretion of CID. All returned parts must have a RGA number written clearly on the outside of the package along with a Service Request Form and the defective part. No COD packages will be accepted. No package will be accepted without a RGA number written on the outside of the package. RGA numbers are only valid for 30 days from the date of issue. All replacement parts shipped out will need a PO# from the original CID customer. If the Defective part is rendered non-warranty the PO# will be invoiced for the replacement part.

To Obtain a Service:

Should you have any problems with your Attachments, please follow these procedures to obtain the service:

- Call the Warranty Department (336) 859-2002 ext 5110. Photo's serial and model #'s of the attachment and parts in question will need to be obtained with a description of the problem.
- Upon a warranted issue go to www.CIDattachments.com, click on the warranty tab and fill in the warranty claim form. CID will retain a RGA# from the manufacturer of the defective part. If all information above is fulfilled the manufacturer will issue a RGA#
- A PO# is required from the original CID customer. PO#'s will only be invoiced in the event that the defective part is un-warranted.
- CID will ship a replacement part with a service request form and RGA #, with the manufactures address and instructions for returning the defective part with delivery charges to be prepaid for evaluation.
- Once the defective part is warranted by the manufacturer. CID will be issued a credit and the PO# will be void. If the manufacturer finds that the defective part is not warranted the PO# will be invoiced for the replacement part.
- In the event that renders the attachment be returned to CID for repair, CID will make arrangements for pick up and return. Repairs will be performed by CID qualified technicians. Non-warranted issues will be discussed, and repairs will be performed upon agreement of the owner, and payment for parts, shipping, and labor will be issued.

Under this warranty, the Manufacturer will repair or replace any part which the Manufacturer determines has failed during the period of the warranty due to defects in material or workmanship. After written approval by the manufacturer, the equipment or defective part must be returned to CID.

Warranty coverage and performance is expressly conditioned upon the return of the completed registration form to CID, for Product registration please visit www.CIDattachments.com

CID reserves the right to make improvements and changes in specifications without notice or obligation to modify previously sold units. The Owner's Manual describes the proper assembly procedures for your implement and furnishes operating and maintenance recommendations to help you obtain long and satisfactory service.

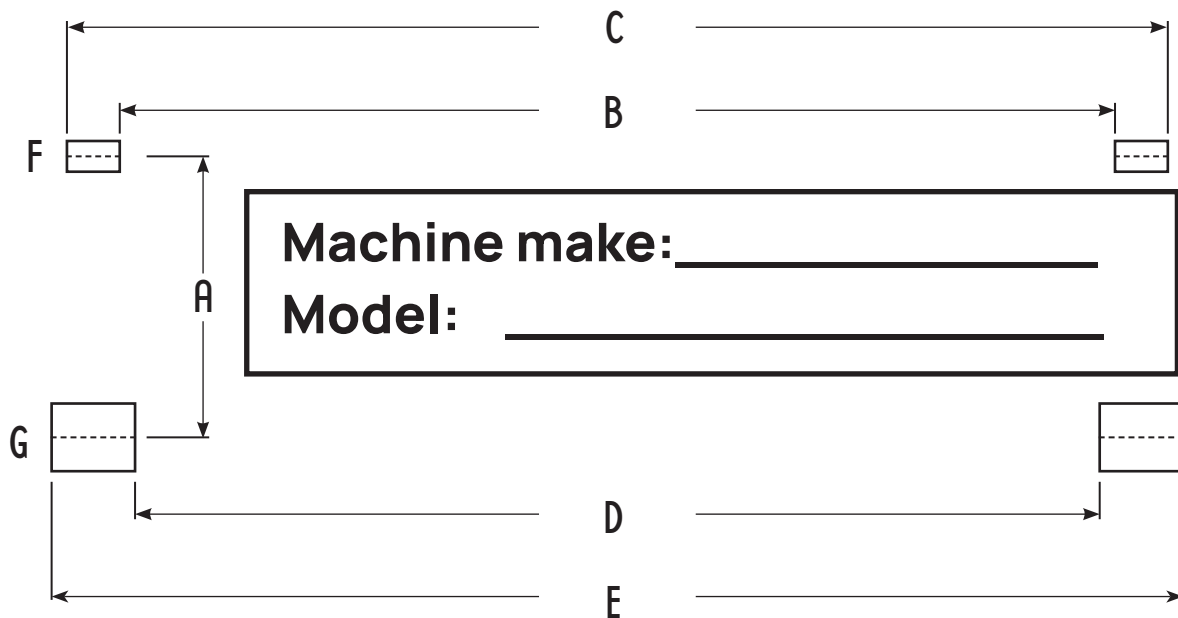
PURCHASER'S EXCLUSIVE REMEDY FOR BREACH OF WARRANTY, OTHER DEFECT, OR CONDUCT GIVING RISE TO LIABILITY SHALL BE THE REPAIR OR REPLACEMENT OF THE PRODUCT SOLD, AND THE MANUFACTURER UNDER NO CIRCUMSTANCES SHALL BE LIABLE FOR ECONOMIC LOSS OR INCIDENTAL OR CONSEQUENTIAL DAMAGES. THE MANUFACTURER DISCLAIMS ALL IMPLIED WARRANTIES, INCLUDING THE WARRANTY OF MERCHANTABILITY AND FITNESS FOR PURPOSE.


Purchaser and CID hereby (a) submit to the non-exclusive jurisdiction of the courts of competent jurisdiction in Meigs County, Tennessee, and the United State District Court for the Eastern District of Tennessee for resolution of any dispute concerning this Limited Warranty or the rights or obligations of Purchaser and/or CID; (b) agree that any litigation commenced in Tennessee in connection with this Limited Warranty shall be venued in either the Meigs County, Tennessee District Court, or the United States District Court, Eastern District of Tennessee, Southern Division, and © waive any objection it may have as to any such action or proceeding brought in such court that such court is an inconvenient forum. Nothing herein shall limit the right of Purchaser or CID (or the right of any permitted successor or assign of either) to bring proceedings against the other in the courts of any other jurisdiction wherein any assets of such other party may be located.

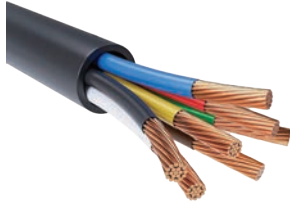
Rev: 2/15/2023

Custom Pin On Diagram

- _____ A = boom to cylinder pin (center to center dimension)
- _____ B = cylinder to cylinder (inside dimension)
- _____ C = cylinder to cylinder (outside dimension)
- _____ D = boom to boom (inside dimension)
- _____ E = boom to boom (outside dimension)
- _____ F = top pin diameter
- _____ G = bottom pin diameter



<p>Dealer Name:</p> <p>_____</p> <p>My Name:</p> <p>_____</p> <p>Cell Number/Email:</p> <p>_____</p>	<p>Want a quicker response?</p> <p>Scan QR, and submit info!</p> <div style="text-align: center;">  </div> <p><small>*You'll receive a confirmation email.*</small></p>
---	--



WIRE COLOR CODES FOR ELECTRICAL HARNESS PINOUTS

ASV — 8 PIN

- A=BLACK (GROUND)
- B=ORANGE
- G=YELLOW
- C=BLUE
- D=RED

GEHL — 14 PIN

- B=BLACK
- C=ORANGE
- D=YELLOW
- E=RED
- F=BLUE

NEW HOLLAND — 14 PIN

- B=BLACK
- C=ORANGE (LEFT)
- D=YELLOW (RIGHT)
- E=BLUE (DOWN)
- F=RED (UP)

TAKEUCHI — 14 PIN

- B=BLACK
- E=YELLOW
- F=ORANGE
- C=RED
- D=BLUE

Kubota — 14 PIN

- B=BLACK (GROUND)
- C=RED
- D=BLUE
- G=YELLOW
- H=ORANGE
- E=MOMENTARY HOT
- F=MOMENTARY HOT

Bobcat — S MODELS 14 PIN

- B=BLACK
- E=ORANGE
- F=YELLOW
- G=BLUE
- H=RED

CAT — D MODELS 14 PIN

- B=BLACK
- F=BLUE
- E=RED
- J=MOMENTARY HOT
- K=MOMENTARY HOT
- C=YELLOW
- D=ORANGE

CASE — 14 PIN

- B=BLACK
- C=ORANGE
- D=YELLOW
- E=BLUE
- F=RED

KIOTI — 14 PIN

- B=BLACK (GROUND)
- C=RED (UP)
- D=BLUE (DOWN)
- G=ORANGE (LEFT)
- H=YELLOW (RIGHT)
- E=MOMENTARY HOT
- F=MOMENTARY HOT

JCB — 14 PIN

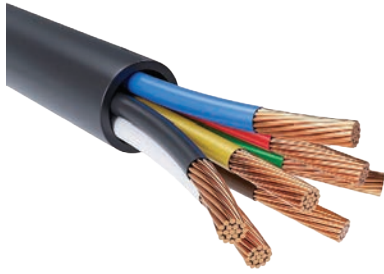
- B=BLACK
- C=RED
- D=BLUE
- E=YELLOW
- F=ORANGE

ASV — 14 PIN

- C=RED
- D=BLUE
- E=ORANGE
- F=YELLOW
- B=BLACK

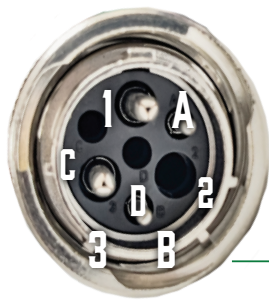
JOHN DEERE — G OR D MODELS 14 PIN

- A=BLACK
- C=RED
- D=BLUE
- E=YELLOW
- G=ORANGE



PINS

Quick Reference Guide [For Wire Harness]



7 PIN

7 PINS ARE
PRE-ASSEMBLED

SWING BOOM / POWER RAKE / SNOW BLOWER

PIN END



ATTACHMENT END



FRONT

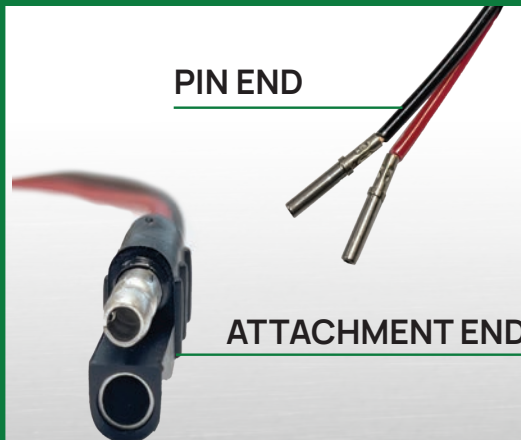
8 PIN



BACK

6 WD / SWING ARM BACKHOE / TREE SHEAR / ANGLE BROOM / MULTI-PURPOSE POWER RAKE

PIN END



ATTACHMENT END



FRONT

14 PIN



BACK



TRUSTED ATTACHMENTS

Resources and Diagrams

SWING BOOM CUTTER | SNOW BLOWER | X-TREME POWER RAKE

UNIVERSAL
[machine side]



CID8002

+

UNIVERSAL
[attachment side]



CID3042

=

UNIVERSAL
[whole thing]



CID3041

HARNESSES

KITS

Reference
Guide

Don't forget to
secure it



with ZIP ties!

DOZER BLADES | TREE SHEAR | ANGLE BROOM | SWING ARM BACKHOE | MULTI-PURPOSE POWER RAKE

7 PIN HARNESSES KIT



CID8091

8 PIN HARNESSES KIT



CID8007

14 PIN HARNESSES KIT



CID8009

UNIVERSAL



CID3040

Standard Duty Brush Cutters

MODEL	DESCRIPTION	HYD FLOW (GPM)	CUT CAPACITY (dia)	# BLADES	CASE DRAIN REQUIRED?
SBC60	STANDARD BRUSH CUTTER 60"	14-20	3"	2	No
SBC72	STANDARD BRUSH CUTTER 72"	14-20	3"	2	No
SOFBC60	STANDARD OPEN FRONT BRUSH CUTTER 60"	14-20	3"	2	No
SOFBC72	STANDARD OPEN FRONT BRUSH CUTTER 72"	14-20	3"	2	No

Heavy Duty Brush Cutters

MODEL	DESCRIPTION	HYD FLOW (GPM)	CUT CAPACITY (dia)	# BLADES	CASE DRAIN REQUIRED?
HDBCNS60-2	HEAVY DUTY BRUSH CUTTER, 60", 2 BLADE	14-20	4"	2	No
HDBCNS60-3	HEAVY DUTY BRUSH CUTTER, 60", 3 BLADE	14-20	4"	3	No
HDBCNS72-2	HEAVY DUTY BRUSH CUTTER, 72", 2 BLADE	14-20	4"	2	No
HDBCNS72-3	HEAVY DUTY BRUSH CUTTER, 72", 3 BLADE	14-20	4"	3	No
HDBCNS78-2	HEAVY DUTY BRUSH CUTTER, 78", 2 BLADE	14-20	4"	2	No
HDBCNS78-3	HEAVY DUTY BRUSH CUTTER, 78", 3 BLADE	14-20	4"	3	No

X-Treme Duty Brush Cutters

MODEL	DESCRIPTION	HYD FLOW (GPM)	CUT CAPACITY (dia)	# BLADES	CASE DRAIN REQUIRED?
XBC60LF	X-TREME 14-20 GPM BRUSH CUTTER, 60"	14-20	6"	3	No
XBC60LFMT	X-TREME 14-20 GPM BRUSH CUTTER, 60", MULCHING TEETH	14-20	6"	3	No
XBC72LF	X-TREME 14-20 GPM BRUSH CUTTER, 72"	14-20	6"	3	No
XBC72LFMT	X-TREME 14-20 GPM BRUSH CUTTER, 72", MULCHING TEETH	14-20	6"	3	No
XBC78LF	X-TREME 14-20 GPM BRUSH CUTTER, 78"	14-20	6"	3	No
XBC78LFMT	X-TREME 14-20 GPM BRUSH CUTTER, 78" MULCHING TEETH	14-20	6"	3	No
XBC84LF	X-TREME 14-20 GPM BRUSH CUTTER, 84"	14-20	6"	3	No
XBC84LFMT	X-TREME 14-20 GPM BRUSH CUTTER, 84" MULCHING TEETH	14-20	6"	3	No
XBC60MF	X-TREME 20-30 GPM BRUSH CUTTER, 60"	20-30	6"	3	No
XBC60MFMT	X-TREME 20-30 GPM BRUSH CUTTER, 60" MULCHING TEETH	20-30	6"	3	No
XBC72MF	X-TREME 20-30 GPM BRUSH CUTTER, 72"	20-30	6"	3	No
XBC72MFMT	X-TREME 20-30 GPM BRUSH CUTTER, 72" MULCHING TEETH	20-30	6"	3	No
XBC78MF	X-TREME 20-30 GPM BRUSH CUTTER, 78"	20-30	6"	3	No
XBC78MFMT	X-TREME 20-30 GPM BRUSH CUTTER, 78" MULCHING TEETH	20-30	6"	3	No
XBC84MF	X-TREME 20-30 GPM BRUSH CUTTER, 84"	20-30	6"	3	No
XBC84MFMT	X-TREME 20-30 GPM BRUSH CUTTER, 84" MULCHING TEETH	20-30	6"	3	No
XBC162660	X-TREME 16-26 GPM BRUSH CUTTER, 60"	16-26	6"	3	No
XBC162660	X-TREME 16-26 GPM BRUSH CUTTER, 60" MULCHING TEETH	16-26	6"	3	No
XBC162672	X-TREME 16-26 GPM BRUSH CUTTER, 72"	16-26	6"	3	No
XBC162672	X-TREME 16-26 GPM BRUSH CUTTER, 72" MULCHING TEETH	16-26	6"	3	No
XBC162678	X-TREME 16-26 GPM BRUSH CUTTER, 78"	16-26	6"	3	No
XBC162678	X-TREME 16-26 GPM BRUSH CUTTER, 78" MULCHING TEETH	16-26	6"	3	No
XBC162684	X-TREME 16-26 GPM BRUSH CUTTER, 84"	16-26	6"	3	No
XBC162684	X-TREME 16-26 GPM BRUSH CUTTER, 84" MULCHING TEETH	16-26	6"	3	No

X-Treme Duty Piston Cutters

MODEL	DESCRIPTION	HYD FLOW (GPM)	CUT CAPACITY (dia)	# BLADES	CASE DRAIN REQUIRED?
XBC173060	X-TREME 17-30 GPM BRUSH CUTTER, 60"	17-30	6"	3	Yes
XBC173060MT	X-TREME 17-30 GPM BRUSH CUTTER, 60" MULCHING TEETH	17-30	7"	3	Yes
XBC173072	X-TREME 17-30 GPM BRUSH CUTTER, 72"	17-30	7"	3	Yes
XBC173072MT	X-TREME 17-30 GPM BRUSH CUTTER, 72" MULCHING TEETH	17-30	7"	3	Yes
XBC173078	X-TREME 17-30 GPM BRUSH CUTTER, 78"	17-30	7"	3	Yes
XBC173078MT	X-TREME 17-30 GPM BRUSH CUTTER, 78" MULCHING TEETH	17-30	7"	3	Yes
XBC173084	X-TREME 17-30 GPM BRUSH CUTTER, 84"	17-30	7"	3	Yes

XBC173084MT	X-TREME 17-30 GPM BRUSH CUTTER, 84" MULCHING TEETH	17-30	7"	3	Yes
XBC273560	X-TREME 27-35 GPM BRUSH CUTTER, 60"	27-35	7"	3	Yes
XBC273560MT	X-TREME 27-35 GPM BRUSH CUTTER, 60" MULCHING TEETH	27-35	7"	3	Yes

X-Treme Duty Brush Cutters (con't)

MODEL	DESCRIPTION	HYD FLOW (GPM)	CUT CAPACITY (dia)	# BLADES	CASE DRAIN REQUIRED?
XBC273572	X-TREME 27-35 GPM BRUSH CUTTER, 72"	27-35	7"	3	Yes
XBC273572MT	X-TREME 27-35 GPM BRUSH CUTTER, 72" MULCHING TEETH	27-35	7"	3	Yes
XBC273578	X-TREME 27-35 GPM BRUSH CUTTER, 78"	27-35	7"	3	Yes
XBC273578MT	X-TREME 27-35 GPM BRUSH CUTTER, 78" MULCHING TEETH	27-35	7"	3	Yes
XBC273584	X-TREME 27-35 GPM BRUSH CUTTER, 84"	27-35	7"	3	Yes
XBC273584MT	X-TREME 27-35 GPM BRUSH CUTTER, 84" MULCHING TEETH	27-35	7"	3	Yes
XBC304860	X-TREME 30-48 GPM BRUSH CUTTER, 60"	30-48	7"	3	Yes
XBC304860MT	X-TREME 30-48 GPM BRUSH CUTTER, 60" MULCHING TEETH	30-48	7"	3	Yes
XBC304872	X-TREME 30-48 GPM BRUSH CUTTER, 72"	30-48	7"	3	Yes
XBC304872MT	X-TREME 30-48 GPM BRUSH CUTTER, 72" MULCHING TEETH	30-48	7"	3	Yes
XBC304878	X-TREME 30-48 GPM BRUSH CUTTER, 78"	30-48	7"	3	Yes
XBC304878MT	X-TREME 30-48 GPM BRUSH CUTTER, 78" MULCHING TEETH	30-48	7"	3	Yes
XBC304884	X-TREME 30-48 GPM BRUSH CUTTER, 84"	30-48	7"	3	Yes
XBC304884MT	X-TREME 30-48 GPM BRUSH CUTTER, 84" MULCHING TEETH	30-48	7"	3	Yes

X-Treme Tree Reaper

MODEL	DESCRIPTION	HYD FLOW (GPM)	CUT CAPACITY (dia)	# BLADES	CASE DRAIN REQUIRED?
TRBC162660	X-TREME TREE REAPER, 60", 16-26 GPM	16-26	5"	3	No
TRBC162660MT	X-TREME TREE REAPER, 60", 16-26 GPM MULCHING TEETH	16-26	5"	3	No
TRBC162672	X-TREME TREE REAPER, 72", 16-26 GPM	16-26	5"	3	No
TRBC162672MT	X-TREME TREE REAPER, 72", 16-26 GPM MULCHING TEETH	16-26	5"	3	No
TRBC162678	X-TREME TREE REAPER, 78", 16-26 GPM	16-26	5"	3	No
TRBC162678MT	X-TREME TREE REAPER, 78", 16-26 GPM MULCHING TEETH	16-26	7"	3	No
TRBC173060	X-TREME TREE REAPER, 60", 17-30 GPM	17-30	7"	3	Yes
TRBC173060MT	X-TREME TREE REAPER, 60", 17-30 GPM MULCHING TEETH	17-30	7"	3	Yes
TRBC173072	X-TREME TREE REAPER, 72", 17-30 GPM	17-30	7"	3	Yes
TRBC173072MT	X-TREME TREE REAPER, 72", 17-30 GPM MULCHING TEETH	17-30	7"	3	Yes
TRBC173078	X-TREME TREE REAPER, 78", 17-30 GPM	17-30	7"	3	Yes
TRBC173078MT	X-TREME TREE REAPER, 78", 17-30 GPM MULCHING TEETH	17-30	7"	3	Yes
TRBC304872MT	X-TREME TREE REAPER, 72" HF, 30-48 GPM MULCHING TEETH	30-48	7"	3	Yes
TRBC304878MT	X-TREME TREE REAPER, 78" HF, 30-48 GPM MULCHING TEETH	30-48	7"	3	Yes

Severe Duty Brush Cutters

MODEL	DESCRIPTION	HYD FLOW (GPM)	CUT CAPACITY (dia)	# BLADES	CASE DRAIN REQUIRED?
SDBAPC72L	SEVERE DUTY BENT AXIS PISTON CUTTER, 72", 20-30 GPM	20-30	10"	4	Yes
SDBAPC78L	SEVERE DUTY BENT AXIS PISTON CUTTER, 78", 20-30 GPM	20-30	10"	4	Yes
SDBAPC72H	SEVERE DUTY BENT AXIS PISTON CUTTER, 72", 30-50 GPM	20-30	10"	4	Yes
SDBAPC78H	SEVERE DUTY BENT AXIS PISTON CUTTER, 78", 30-50 GPM	20-30	10"	4	Yes

Swing Boom Cutters

MODEL	DESCRIPTION	HYD FLOW (GPM)	CUT CAPACITY (dia)	# BLADES	CASE DRAIN REQUIRED?
SBCNS	SWING BOOM BRUSH CUTTER PISTON MOTOR, 17-30 GPM	17-30	4"	2	Yes
SBC	SWING BOOM BRUSH CUTTER, 14-20 GPM	14-20	3"	2	No
SBC	SWING BOOM BRUSH CUTTER, 16-26 GPM	16-26	3"	2	No

Excavator Cutters

MODEL	DESCRIPTION	HYD FLOW (GPM)	CUT CAPACITY (dia)	# BLADES	CASE DRAIN REQUIRED?
SVEXCBCL	SEVERE EXCAVATOR CUTTER, 17-35 GPM	17-35	6"	3	Yes
SVEXCBCH	SEVERE EXCAVATOR CUTTER, 35+ GPM	35+	6"	3	Yes
EXBC142044	XTREME EXCAVATOR CUTTER 14-20 GPM	14-20	3"	2	No
EXBC202644	XTREME EXCAVATOR CUTTER 20-26 GPM	20-26	3"	2	No
EXBC243044	XTREME EXCAVATOR CUTTER 24-30 GPM	24-30	3"	2	No
EXBCSTAR44	XTREME EXCAVATOR CUTTER STAR MOTOR, 12-29 GPM	12-29	3"	2	No
SDEXBC91542	STANDARD DUTY EXCAVATOR CUTTER, 12-17 GPM	12-17	2"	2	No
SDEXBC142042	STANDARD DUTY EXCAVATOR CUTTER, 17-24 GPM	17-24	2"	2	No
SDEXBCSTAR44	STANDARD EXCAVATOR CUTTER STAR MOTOR, 12-29 GPM	12-29	2"	2	No

Forestry Disc Mulchers

MODEL	DESCRIPTION	HYD FLOW (GPM)	CUT CAPACITY (dia)	BEAVER STYLE TEETH	CASE DRAIN REQUIRED?
FDM44	FORESTRY DISC MULCHER, 100CC 20-30 GPM	20-30	8"	34 total	No
FDM44	FORESTRY DISC MULCHER, 150CC 30-44 GPM	30-44	8"	34 total	No
FDM60	FORESTRY DISC MULCHER, 150CC 32-44 GPM	32-44	14"	49 total	Yes
FDM60	FORESTRY DISC MULCHER, 200CC 45-60 GPM	45-60	14"	49 total	Yes

Mini-Skid Steer

MODEL	DESCRIPTION	HYD FLOW (GPM)	CUT CAPACITY (dia)	# BLADES	CASE DRAIN REQUIRED?
DBC	44" BRUSH CUTTER FOR DINGO	15-Oct	3"	2	No
MTBC	44" BRUSH CUTTER FOR MT50	10-15	3"	2	No

CLASS I FORKS and FRAMES

*For shipping weights and pricing please refer to pricing page.

MODEL	DESCRIPTION	CAPACITY (LBS)	TINE WIDTH (in)	WIDTH (in)	AVAILABLE Tine Length (in)	AVAILABLE MOUNTS
SCTFRAME	SUBCOMPACT TRACTOR	1000		45	36,42	DEERE, UNIVERSAL
CTFRAME	COMPACT TRACTOR	2000	3	45	42,48	DEERE, UNIVERSAL, YAMMAR, KUBOTA

CLASS II FORKS and FRAMES

MODEL	DESCRIPTION	CAPACITY (LBS)	TINE WIDTH (in)	WIDTH (in)	AVAILABLE Tine Length (in)	AVAILABLE MOUNTS
SDFRAME	STANDARD DUTY	3000	4	45	42, 48	DEERE, UNIVERSAL, EURO
HDFRAME	HEAVY DUTY	4000	4	46	42,48	DEERE, UNIVERSAL, EURO
HDF5500	HEAVY DUTY, 5500 LB	5500	4	46	42,48,60,72	DEERE, UNIVERSAL, EURO
HHDF	HYDRAULIC HD	4000	4	45	42,48	DEERE, UNIVERSAL, EURO
HHDF5500	HYDRAULIC HD, 5500 LB	5500	4	45	42,48,60,72	DEERE, UNIVERSAL, EURO, BUSHHOG
WTFRAME	WALK-THRU	4000	4	46	42,48	DEERE, UNIVERSAL, EURO
WTF5500	WALK-THRU, 5500 LB	5500	4	46	42,48,60,72	DEERE, UNIVERSAL, EURO
WTHHDF	WALK-THRU HYDRAULIC HD	4000	4	46	42,48	DEERE, UNIVERSAL, EURO
HWTF5500	HYDRAULIC WALK-THRU, 5500	5500	4	46	42,48,60,72	DEERE, UNIVERSAL, EURO
JD67HDF5500	JD 600-700 5500	5500	4	55	42,48,60,72	DEERE
FG	FORK GRAPPLE, CLASS II	4000	4	45	48,60,72	DEERE, UNIVERSAL, EURO
FG5500	FORK GRAPPLE, CLASS II 5500	5500	4	45	48,60,72	DEERE, UNIVERSAL, EURO

CLASS III FORKS and FRAMES

MODEL	DESCRIPTION	CAPACITY (LBS)	TINE WIDTH (in)	WIDTH (in)	AVAILABLE Tine Length (in)	AVAILABLE MOUNTS
XDFRAME	X-TREME DUTY	8500	5	46	48,60,72,96	DEERE, UNIVERSAL, EURO, Tele, Versa, JCB
HXDFF	HYDRAULIC XD	8500	5	46	48,60,72,96	DEERE, UNIVERSAL, EURO, Tele, Versa, JCB
C3FG	FORK GRAPPLE	8500	5	45	48,60,72,96	DEERE, UNIVERSAL, EURO, Tele, Versa, JCB
C3MG	X-TREME MAT GRAPPLE	8500	5	46	48,60,72,96	DEERE, UNIVERSAL, EURO, Tele, Versa, JCB

BUCKET CAPACITY SHEET - Revised 3/1/2024

ALL VOLUMES ARE APPROXIMATIONS (volumes are struck volumes i.e. not heap volumes)

PG	SKU #	PRODUCT	Volume (ft ³)	Volume (yd ³)
4-N-1 BUCKETS				
25	MINI4N1-48	COMPACT TRACTOR 4-N-1 BUCKET, 48"	6.95	0.26
25	MINI4N1-54	COMPACT TRACTOR 4-N-1 BUCKET, 54"	7.84	0.29
25	MINI4N1-60	COMPACT TRACTOR 4-N-1 BUCKET, 60"	8.73	0.32
25	MINI4N1-66	COMPACT TRACTOR 4-N-1 BUCKET, 66"	9.62	0.36
25	MINI4N1-72	COMPACT TRACTOR 4-N-1 BUCKET, 72"	10.51	0.39
25	SD4N1-60	SD 4-N-1 BUCKET, 60"	12.17	0.45
25	SD4N1-66	SD 4-N-1 BUCKET, 66"	12.79	0.47
25	SD4N1-72	SD 4-N-1 BUCKET, 72"	13.42	0.50
25	HD4N1-63	HD 4-N-1 BUCKET, 63"	12.79	0.47
25	HD4N1-66	HD 4-N-1 BUCKET, 66"	13.42	0.50
25	HD4N1-72	HD 4-N-1 BUCKET, 72"	14.66	0.54
25	HD4N1-63T	HD 4-N-1 BUCKET W/ TEETH, 63"	12.79	0.47
25	HD4N1-66T	HD 4-N-1 BUCKET W/ TEETH, 66"	13.42	0.50
25	HD4N1-72T	HD 4-N-1 BUCKET W/ TEETH, 72"	14.66	0.54
26	X4N1-72	X-TREME 4-N-1 BUCKET, 72"	17.67	0.65
26	X4N1-78	X-TREME 4-N-1 BUCKET, 78"	19.16	0.71
26	X4N1-81	X-TREME 4-N-1 BUCKET, 81"	19.90	0.74
26	X4N1-84	X-TREME 4-N-1 BUCKET, 84"	20.65	0.76
26	X4N1-72T	X-TREME 4-N-1 W/ TEETH, 72"	17.67	0.65
26	X4N1-78T	X-TREME 4-N-1 W/ TEETH, 78"	19.16	0.71
26	X4N1-81T	X-TREME 4-N-1 W/ TEETH, 81"	19.90	0.74
26	X4N1-84T	X-TREME 4-N-1 W/ TEETH, 84"	20.65	0.76
26	SV4N1-72	Severe 4-N-1, 72"	20.48	0.76
26	SV4N1-78	Severe 4-N-1, 78"	21.63	0.80
26	SV4N1-81	Severe 4-N-1, 81"	22.50	0.83
26	SV4N1-84	Severe 4-N-1, 84"	23.36	0.87
26	SV4N1-72T	Severe 4-N-1 W/ Teeth, 72"	20.48	0.76
26	SV4N1-78T	Severe 4-N-1 W/ Teeth, 78"	21.63	0.80
26	SV4N1-81T	Severe 4-N-1 W/ Teeth, 81"	22.50	0.83
26	SV4N1-84T	Severe 4-N-1 W/ Teeth, 84"	23.36	0.87
HIGH DUMP BUCKETS				
28	HDB72	HIGH DUMP BUCKET, 72"	26.63	0.99
28	HDB84	HIGH DUMP BUCKET, 84"	31.75	1.18

28	HDB96	HIGH DUMP BUCKET, 96"	36.88	1.37
LONG BOTTOM BUCKETS				
29	LBB63	LB BUCKET, 63"	14.72	0.55
29	LBB66	LB BUCKET, 66"	15.44	0.57
29	LBB72	LB BUCKET, 72"	16.87	0.62
29	LBB78	LB BUCKET, 78"	18.30	0.68
29	LBB81	LB BUCKET, 81"	19.02	0.70
29	LBB84	LB BUCKET, 84"	19.74	0.73
29	LBB90	LB BUCKET, 90"	21.17	0.78
29	LBB96	LB BUCKET, 96"	22.60	0.84
29	LBB63T	LB BUCKET W/ TEETH, 63"	14.72	0.55
29	LBB66T	LB BUCKET W/ TEETH, 66"	15.44	0.57
29	LBB72T	LB BUCKET W/ TEETH, 72"	16.87	0.62
29	LBB78T	LB BUCKET W/ TEETH, 78"	18.30	0.68
29	LBB81T	LB BUCKET W/ TEETH, 81"	19.02	0.70
29	LBB84T	LB BUCKET W/ TEETH, 84"	19.74	0.73
29	LBB90T	LB BUCKET W/ TEETH, 90"	21.17	0.78
29	LBB96T	LB BUCKET W/ TEETH, 96"	22.60	0.84
LOW PROFILE BUCKETS				
29	LPB60	LP BUCKET, 60"	10.72	0.40
29	LPB63	LP BUCKET, 63"	11.27	0.42
29	LPB66	LP BUCKET, 66"	11.82	0.44
29	LPB72	LP BUCKET, 72"	12.92	0.48
29	LPB78	LP BUCKET, 78"	14.01	0.52
29	LPB81	LP BUCKET, 81"	14.56	0.54
29	LPB84	LP BUCKET, 84"	15.11	0.56
29	LPB90	LP BUCKET, 90"	16.21	0.60
29	LPB96	LP BUCKET, 96"	17.31	0.64
29	LPB60T	LP BUCKET W/ TEETH, 60"	10.72	0.40
29	LPB63T	LP BUCKET W/ TEETH, 63"	11.27	0.42
29	LPB66T	LP BUCKET W/ TEETH, 66"	11.82	0.44
29	LPB72T	LP BUCKET W/ TEETH, 72"	12.92	0.48
29	LPB78T	LP BUCKET W/ TEETH, 78"	14.01	0.52
29	LPB81T	LP BUCKET W/ TEETH, 81"	14.56	0.54
29	LPB84T	LP BUCKET W/ TEETH, 84"	15.11	0.56
29	LPB90T	LP BUCKET W/ TEETH, 90"	16.21	0.60
29	LPB96T	LP BUCKET W/ TEETH, 96"	17.31	0.64

ROCK BUCKETS				
36	HDRB63	HEAVY DUTY ROCK BUCKET, 63"	10.28	0.38
36	HDRB66	HEAVY DUTY ROCK BUCKET, 66"	10.78	0.40
36	HDRB72	HEAVY DUTY ROCK BUCKET, 72"	11.78	0.44
36	HDRB78	HEAVY DUTY ROCK BUCKET, 78"	12.77	0.47
36	HDRB81	HEAVY DUTY ROCK BUCKET, 81"	13.27	0.49
36	HDRB63T	HEAVY DUTY ROCK BUCKET W/ TEETH, 63"	10.28	0.38
36	HDRB66T	HEAVY DUTY ROCK BUCKET W/ TEETH, 66"	10.78	0.40
36	HDRB72T	HEAVY DUTY ROCK BUCKET W/ TEETH, 72"	11.78	0.44
36	HDRB78T	HEAVY DUTY ROCK BUCKET W/ TEETH, 78"	12.77	0.47
36	HDRB81T	HEAVY DUTY ROCK BUCKET W/ TEETH, 81"	13.27	0.49
36	XDRB66	X-TREME DUTY ROCK BUCKET, 66"		
36	XDRB72	X-TREME DUTY ROCK BUCKET, 72"		
36	XDRB78	X-TREME DUTY ROCK BUCKET, 78"		
36	XDRB81	X-TREME DUTY ROCK BUCKET, 81"		
36	XDRB84	X-TREME DUTY ROCK BUCKET, 84"		
SNOW-N-LITTER BUCKETS				
30	SNLB54	SNOW-N-LITTER BUCKET, 54"	16.75	0.62
30	SNLB60	SNOW-N-LITTER BUCKET, 60"	18.74	0.69
30	SNLB63	SNOW-N-LITTER BUCKET, 63"	19.73	0.73
30	SNLB66	SNOW-N-LITTER BUCKET, 66"	20.72	0.77
30	SNLB72	SNOW-N-LITTER BUCKET, 72"	22.71	0.84
30	SNLB78	SNOW-N-LITTER BUCKET, 78"	24.69	0.91
30	SNLB81	SNOW-N-LITTER BUCKET, 81"	25.69	0.95
30	SNLB84	SNOW-N-LITTER BUCKET, 84"	26.68	0.99
30	SNLB90	SNOW-N-LITTER BUCKET, 90"	28.66	1.06
30	SNLB96	SNOW-N-LITTER BUCKET, 96"	30.65	1.14
30	SNLB102	SNOW-N-LITTER BUCKET, 102"	32.63	1.21
30	SNLB108	SNOW-N-LITTER BUCKET, 108"	34.62	1.28
HIGH CAPACITY SNOW BUCKETS				
31	HCSB72	HIGH CAPACITY SNOW BUCKET, 72"	28.16	1.04
31	HCSB78	HIGH CAPACITY SNOW BUCKET, 78"	30.55	1.13
31	HCSB84	HIGH CAPACITY SNOW BUCKET, 84"	32.94	1.22
31	HCSB96	HIGH CAPACITY SNOW BUCKET, 96"	37.73	1.40
31	HCSB102	HIGH CAPACITY SNOW BUCKET, 102"	40.12	1.49
31	HCSB108	HIGH CAPACITY SNOW BUCKET, 108"	42.51	1.57
31	HCSB120	HIGH CAPACITY SNOW BUCKET, 120"	47.30	1.75

TRACK LOADER BUCKETS				
32	TAKB72	X-TREME TRACK LOADER BUCKET, 72"	17.01	0.63
32	TAKB78	X-TREME TRACK LOADER BUCKET, 78"	18.45	0.68
32	TAKB81	X-TREME TRACK LOADER BUCKET, 81"	19.17	0.71
32	TAKB84	X-TREME TRACK LOADER BUCKET, 84"	19.88	0.74
32	TAKB90	X-TREME TRACK LOADER BUCKET, 90"	21.32	0.79
32	TAKB96	X-TREME TRACK LOADER BUCKET, 96"	22.76	0.84
32	ITAKB72	INDUSTRIAL TRACK LOADER BUCKET, 72"	17.42	0.65
32	ITAKB78	INDUSTRIAL TRACK LOADER BUCKET, 78"	18.89	0.70
32	ITAKB80	INDUSTRIAL TRACK LOADER BUCKET, 81"	19.38	0.72
32	ITAKB84	INDUSTRIAL TRACK LOADER BUCKET, 84"	20.36	0.75
32	ITAKB90	INDUSTRIAL TRACK LOADER BUCKET, 90"	21.84	0.81
32	ITAKB96	INDUSTRIAL TRACK LOADER BUCKET, 96"	23.31	0.86
TRACTOR BUCKETS				
33	CTRAC48	COMPACT TRACTOR BUCKET, 48"	11.16	0.41
33	CTRAC54	COMPACT TRACTOR BUCKET, 54"	12.60	0.47
33	CTRAC60	COMPACT TRACTOR BUCKET, 60"	14.03	0.52
33	CTRAC63	COMPACT TRACTOR BUCKET, 63"	14.75	0.55
33	CTRAC66	COMPACT TRACTOR BUCKET, 66"	15.47	0.57
33	CTRAC72	COMPACT TRACTOR BUCKET, 72"	16.91	0.63
33	TRAC63	HEAVY DUTY TRACTOR BUCKET, 63"	14.33	0.53
33	TRAC66	HEAVY DUTY TRACTOR BUCKET, 66"	15.03	0.56
33	TRAC72	HEAVY DUTY TRACTOR BUCKET, 72"	16.42	0.61
33	TRAC78	HEAVY DUTY TRACTOR BUCKET, 78"	17.82	0.66
33	TRAC81	HEAVY DUTY TRACTOR BUCKET, 81"	18.51	0.69
33	TRAC84	HEAVY DUTY TRACTOR BUCKET, 84"	19.21	0.71
34	XTRAC72	X-TREME TRACTOR BUCKET, 72"	21.40	0.79
34	XTRAC84	X-TREME TRACTOR BUCKET, 84"	25.03	0.93
34	XTRAC96	X-TREME TRACTOR BUCKET, 96"	28.67	1.06
34	XTRAC108	X-TREME TRACTOR BUCKET, 108"	32.30	1.20
TURKEY LITTER BUCKETS				
30	TLB66	TURKEY LITTER BUCKET, 66"	37.95	1.41
30	TLB78	TURKEY LITTER BUCKET, 78"	45.24	1.68
30	TLB84	TURKEY LITTER BUCKET, 84"	48.88	1.81
30	TLB96	TURKEY LITTER BUCKET, 96"	56.16	2.08
30	TLB102	TURKEY LITTER BUCKET, 108"	59.80	2.21
30	TLB108	TURKEY LITTER BUCKET, 108"	63.44	2.35
30	TLB120	TURKEY LITTER BUCKET, 120"	70.73	2.62



CID

TRUSTED ATTACHMENTS



Please view our full line of skid-steer attachment solutions at:

www.cidattachments.com

1161 N. Main Street • P.O. Box 1230 • Denton, NC 27239
Phone: 336.859.2002 • Fax: 336.859.0800
sales@cidattachments.com • www.cidattachments.com



Scan for warranty information